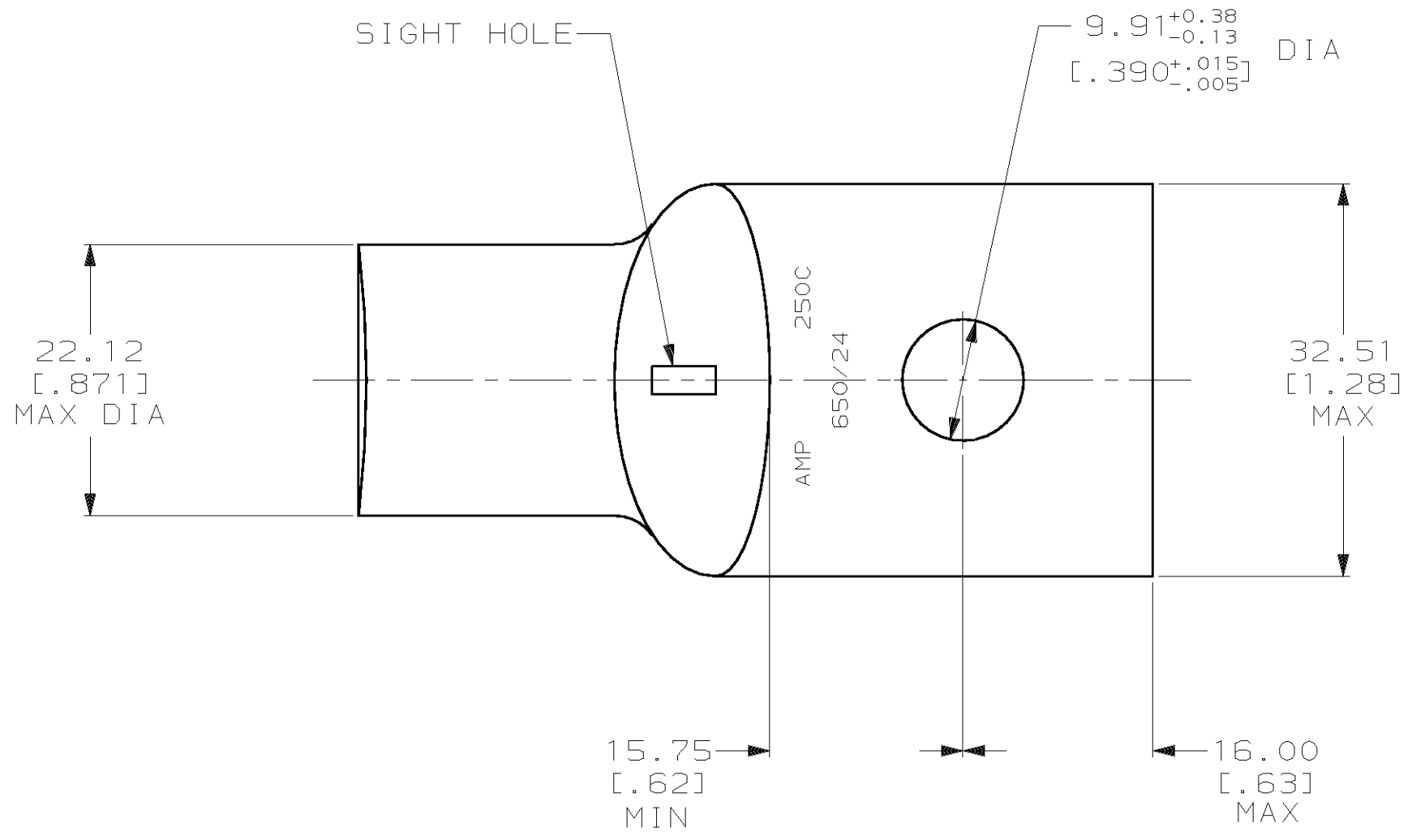
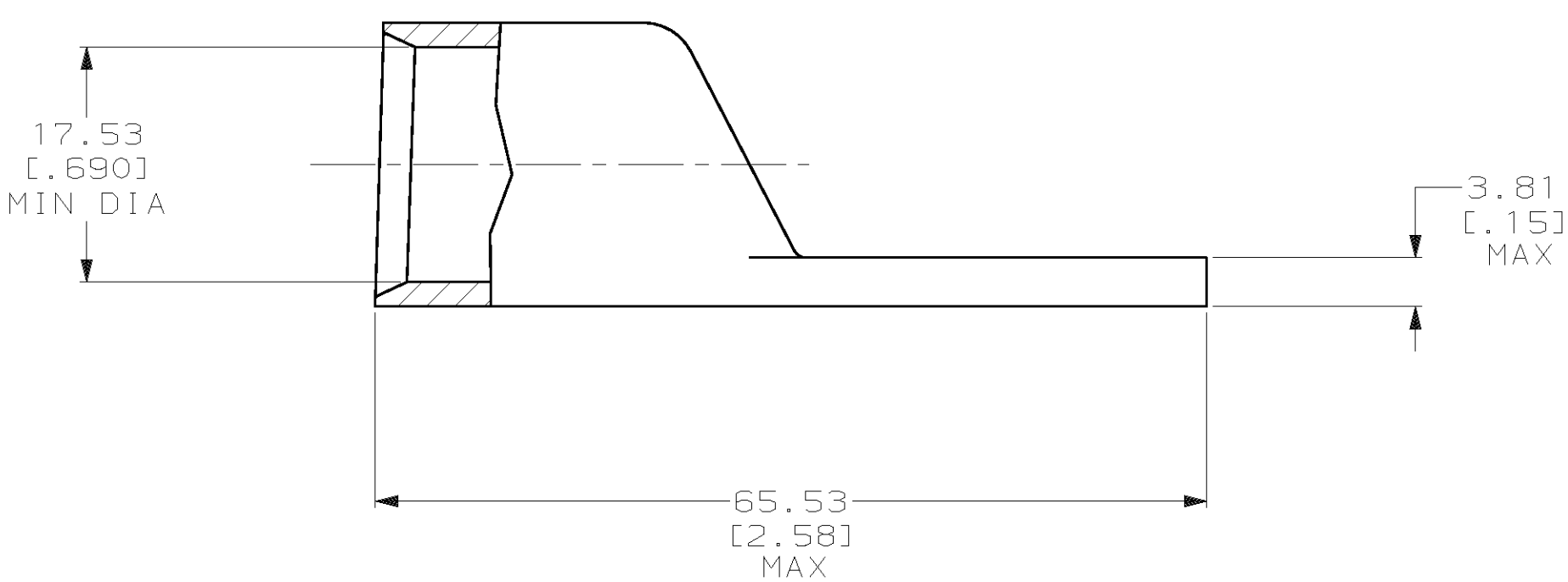


THIS DRAWING IS UNPUBLISHED. RELEASED FOR PUBLICATION, 19 .  
 © COPYRIGHT 19 BY AMP INCORPORATED. ALL INTERNATIONAL RIGHTS RESERVED.

LOC		DIST		REVISIONS				DATE	APPD
ZONE	LTR	DESCRIPTION		DATE	APPD				
G	86	P	F	N	REV PER 0G3A-0561-01	08OCT02	JR/MS		



1 CIRCULAR MIL AREA RANGE: 231-275 MCM  
 2 TIN PL 0.00381 [.000150] MIN THK PER MIL-T-10727



325703

325703

PART NO

DO NOT SCALE PRINT. UNLESS SPECIFIED DIMENSIONS IN mm [INCHES] TOLERANCES ON : 2 PLC DEC ± 0.51 [.020] 3 PLC DEC ± - ANGLES ± -	DR 02/28/90 DK SCHRUM	AMP INCORPORATED Harrisburg, Pa. 17105
	CHK 20JAN95 MS FEHER	
MATERIAL  ANNEALED COPPER ASTM B-75	APPD 20JAN95 WJ VOCKROTH	NAME
	APPD 20JAN95 TL SHUTTER	TERMINAL, AMPPOWER, WIRE SIZE: 250 MCM
FINISH	PRODUCT SPEC 108-30200	SIZE
	APPLICATION SPEC -	CAGE CODE
	WEIGHT .126 LB	DRAWING NO
		SCALE
		SHEET

**METRIC**