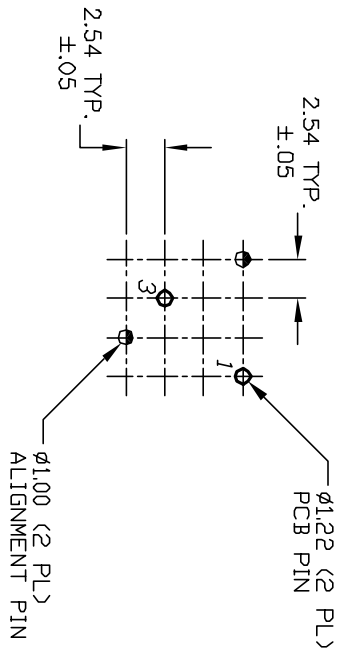
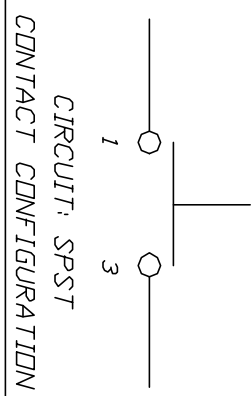
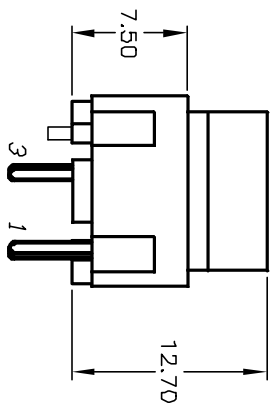
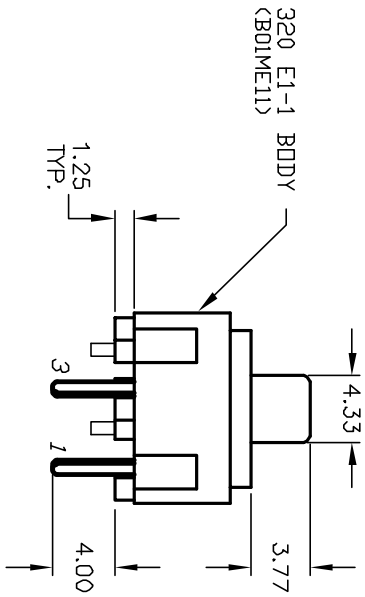
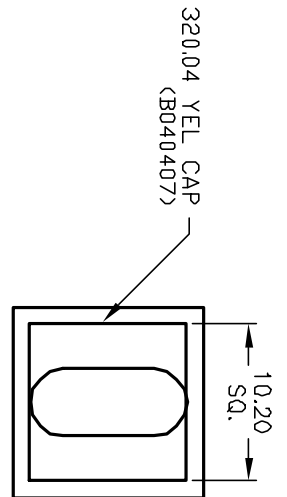


TOP VIEW - SHOW ORIENTATION OF LEGENDS
IN RESPECT TO THE PCB PIN TERMINALS.

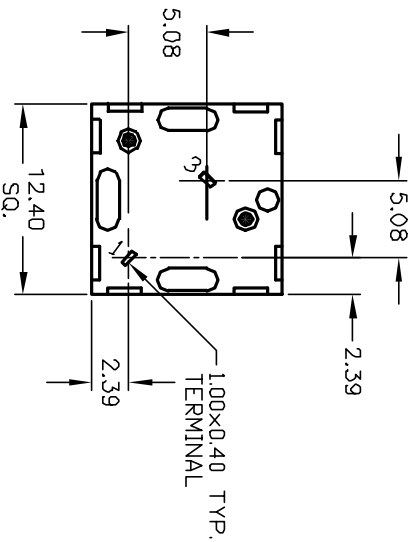


RECOMMENDED P.C.B. LAYOUT



NOTES:

1. ALL DIMENSIONS IN MM
2. GENERAL TOLERANCE: X.X=±0.4
X.XX=±0.25
3. TERMINAL NO'S FOR REFERENCE ONLY.
4. RATING: 25mA, @50VDC
5. OPERATING FORCE: 120gf
6. TRAVEL TO MAKE: 0.7mm



E-SWITCH®

| | | | | |
|------|---------|-------------------------|----------|------|
| REV. | ECN No. | DESCRIPTION | DATE | CHKD |
| A | 11878 | RELEASED FOR PRODUCTION | 12/21/01 | CJB |

| | | | | | |
|----------------------------|-------|----------|----|---------|-----|
| TITLE | SCALE | DATE | DR | DWG | REV |
| 320.04 E1-1 YEL (VERTICAL) | 2:1 | 12/21/01 | CB | XB0808P | A |

THE INFORMATION CONTAINED IN THIS DOCUMENT IS PROPRIETARY TO E-SWITCH AND IS NOT TO BE COPIED OR TRANSFERRED