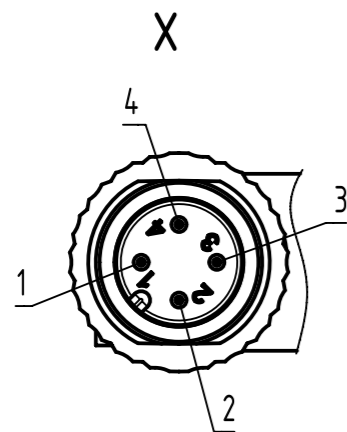
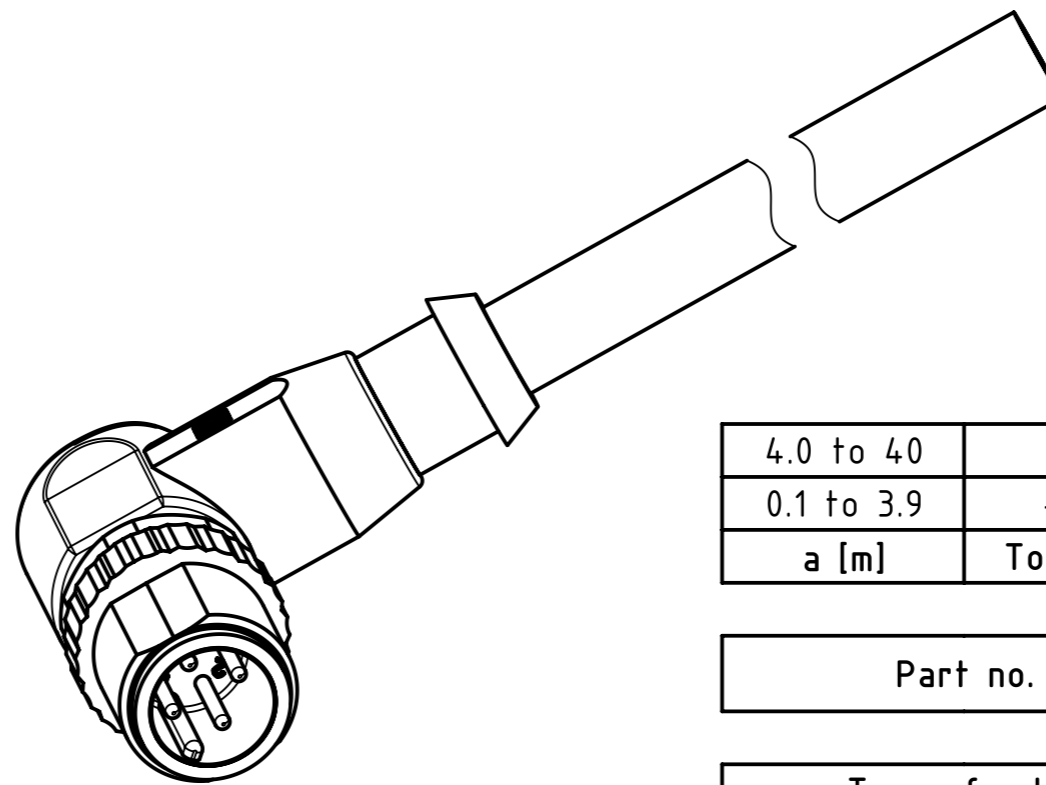


M12 A-coded 4-pole male angled overmolded connector



Loading-Plan:

- 1 brown
- 2 white
- 3 blue
- 4 black



4.0 to 40	+1%
0.1 to 3.9	+0.04
<b>a [m]</b>	<b>Tolerance</b>

length in "1m" step	40	XXX=400
	39	XXX=390
	.	.
	12	XXX=120
	11	XXX=110
length in "0.1m" step	10	XXX=100
	9.9	XXX=099
	9.8	XXX=098
	.	.
	0.4	XXX=004
	0.3	XXX=003
	0.2	XXX=002
0.1	XXX=001	
<b>Step</b>	<b>a [m]</b>	<b>XXX</b>

<b>Part no.</b>	213486004XXXXX
-----------------	----------------

<b>Type of cable</b>	XX
PVC grey, 4x0.34mm <sup>2</sup>	XX=84
PUR black, 4x0.34mm <sup>2</sup>	XX=91

- Protection level: IP67  
 - Temperature range: -25°C ... +80°C

	All rights reserved		Created by TAMAS		Inspected by AVRAM		Standardisation HOFFMANN		Date 2015-09-11		State Final Release	
	Department EC PD - R0		Title M12 A-coded Cable Assembly		Doc-Key / ECM-Nr. 100626548/UGD/009/C 50000094484		Rev. C		Page 1/1			
HARTING Electronics GmbH		D-32339 Espelkamp		Type TB		Number 213486004XXXXX.						