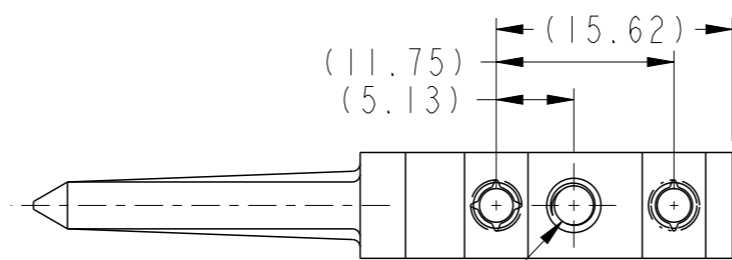
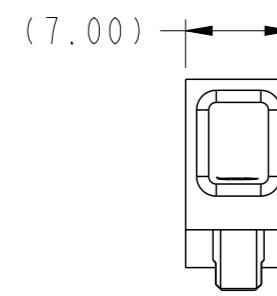
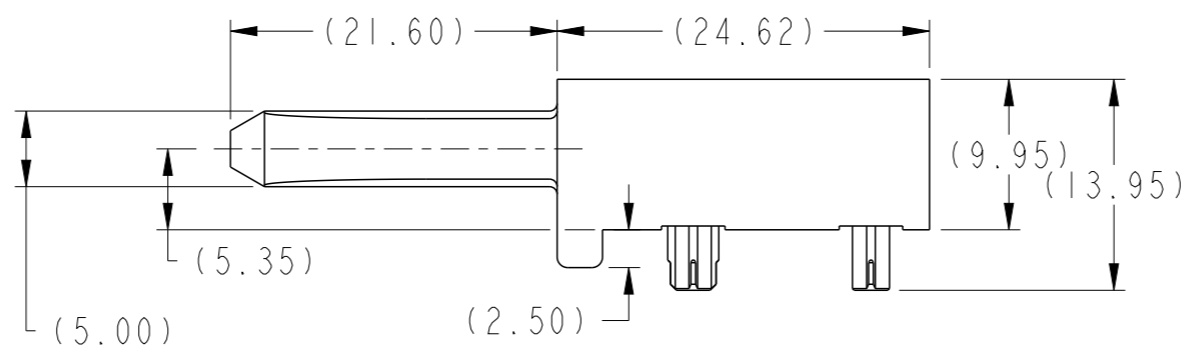
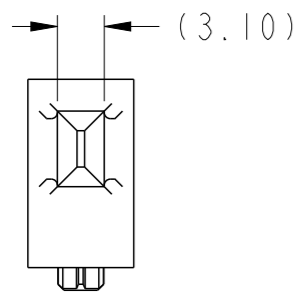


PRODUCT NUMBER  
SEE TABLE, SHEET 2



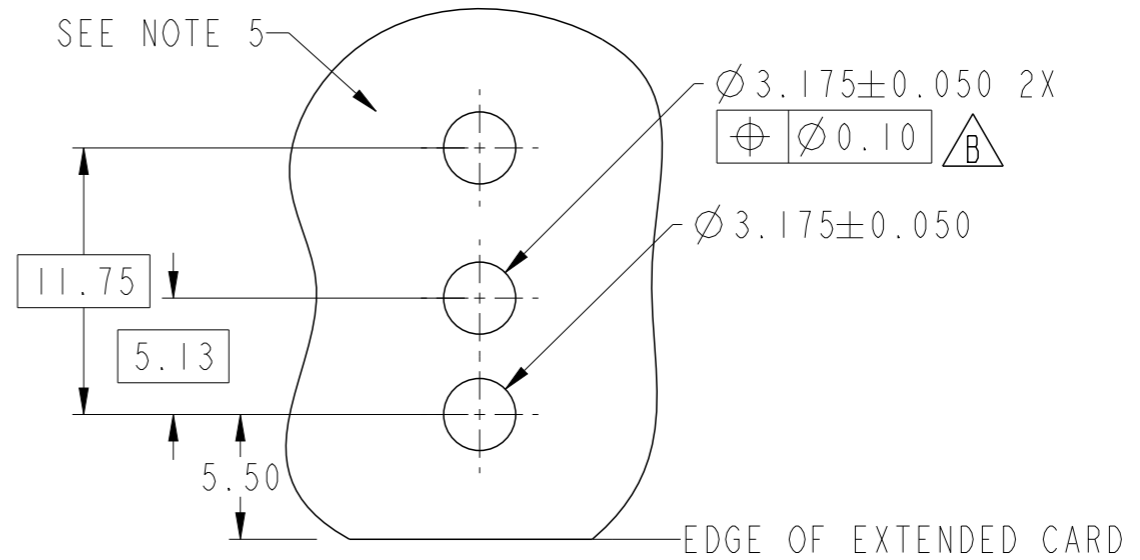
M3 X 0.5-6H  
X 3.0 DEEP

spec ref		dr	Chen-Hong Tan	2009/06/05	projection	MM	size	A3	scale	2:1	
tolerance std		eng	Yong-Keat Lim	2012/05/14			ecn no		ELX-S-011610-1		
ASME Y14.5		chr	-	-			rel level		Released		
TOLERANCES UNLESS OTHERWISE SPECIFIED		appr	Chen-Hong Tan	2012/05/15	product family		AirMax Accessories				
surface	3.2	linear	0.X	±0.3		part no		7.2mm R/A GUIDE BLADE		dwg no 10101902	rev B
			0.XX	±0.10		4 PR, INVERSE COPLANAR, LOW PROFILE					
			0.XXX	±0.050		cat. no.		-			
ASME Y14.5		angular	0°	±°	Product - Customer Drw		sheet 1 of 2				



Copyright FCI.

PRODUCT NUMBER  
10101902-101LF



NOTES:

- ① MATERIAL: ZINC ALLOY
- ② FINISH: TRIVALENT CHROMATE IRIDESCENT.
3. APPLICATION SPECIFICATION: GS-20-045
- ④ REFER TO CUSTOMER DRAWING 10035911 FOR INFORMATION REGARDING PCB LAYOUT OF POWER AND GUIDE MODULES RELATIVE TO SIGNAL MODULES.
- ⑤ RIGHT ANGLE PIN MODULE HAS THE SAME PCB FOOTPRINT AS RIGHT ANGLE RECEPTACLE MODULE. (REF P/N 10045367 SHEET 2)
6. THIS PRODUCT MEETS EUROPEAN DIRECTIVES AND OTHER COUNTRY REGULATIONS AS DESCRIBED IN GS-22-008.
7. PACKAGING MEETS GS-14-920 LEAD FREE LABELLING SPECIFICATION.
8. A  $\triangle B$  SYMBOL WILL BE NEXT TO ANY DIMENSION, VIEW, OR NOTE WHICH HAS BEEN MODIFIED WITH THE CURRENT DRAWING REVISION.

spec ref		dr	Chen-Hong Tan	2009/06/05	projection	MM	size	A3	scale	2:1	
tolerance std		eng	Yong-Keat Lim	2012/05/14		← →	ecn no		ELX-S-011610-1		
ASME Y14.5		chr	-	-			rel level		Released		
TOLERANCES UNLESS OTHERWISE SPECIFIED		appr	Chen-Hong Tan	2012/05/15	product family			AirMax Accessories			
surface	3.2	linear	0.X	±0.3		7.2mm R/A GUIDE BLADE			dwg no	10101902	rev
			0.XX	±0.10		4 PR, INVERSE COPLANAR, LOW PROFILE					
			0.XXX	±0.050							
ASME Y14.5	angular		0°	±°	www.fci.com	cat. no.	-	Product - Customer Drw		sheet 2 of 2	