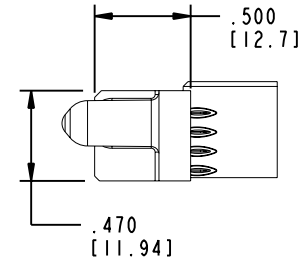
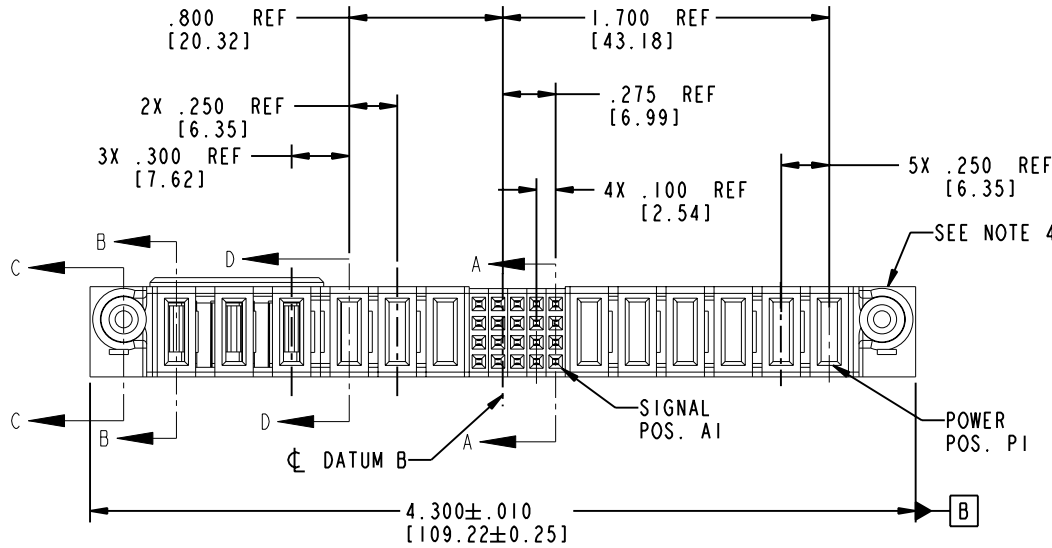


Tous droits strictement réservés. Reproduction ou communication a des tiers interdite sous quelque forme que ce soit sans autorisation écrite du propriétaire. Propriété de c FCI. Droits de reproduction FCI.



All rights strictly reserved. Reproduction or issue to third parties in any form whenever is not permitted without written authority from the proprietor. Property of FCI. Copyright FCI.

PRODUCT NO.	ROWS	POWER						SIGNAL				POWER									
		E2	P12	P11	P10	P9	P8	P7	5	4	3	2	1	P6	P5	P4	P3	P2	P1	E1	
51897-013-- NOTE ③	D C B A		PH	PH	PG	PF	PF	X	F	F	F	F	F	F	F	F	F	F	F	F	



CODE	DIM "M" MATING LENGTH	CONTACT TYPE
PF	.092 [2.34]	POWER
PH	.092 [2.34]	POWER
F	N/A [N/A]	SIGNAL

mat'l code				SEE NOTE 2		tolerances unless otherwise specified		CUSTOMER		 www.fciconnect.com		
ltr	ecn no.	dr	date	linear	.XX±.01/0.X±0.3		COPY		title			
A	DG05-0096	SW	04/26/05		.XXX±.005/0.XX±0.13		projection		6P + 20S + 6P			
				angles	.XXX±.0020/0.XX±0.051		 INCH/MM		product family			
				dr	STEVEN WANG	04/26/05	scale		PwrBlade			
				engr	STEVEN WANG	04/26/05	1:1		code			
				chr	VICTOR LIN	04/26/05			size			
				appd	JOSEPH HSIA	04/26/05			dwg no			
				sheet index					A		51897-013	
				revision sheet	A	A	A	A			213	
				1	2	3	4			sheet 1 of 4		

Pro/E

cage code 22526

PDM: Rev:A

STATUS: Released

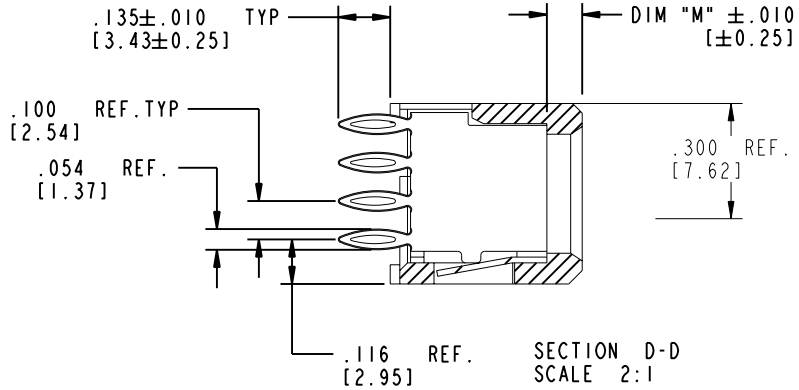
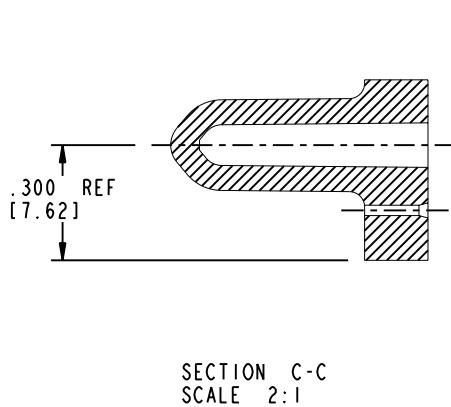
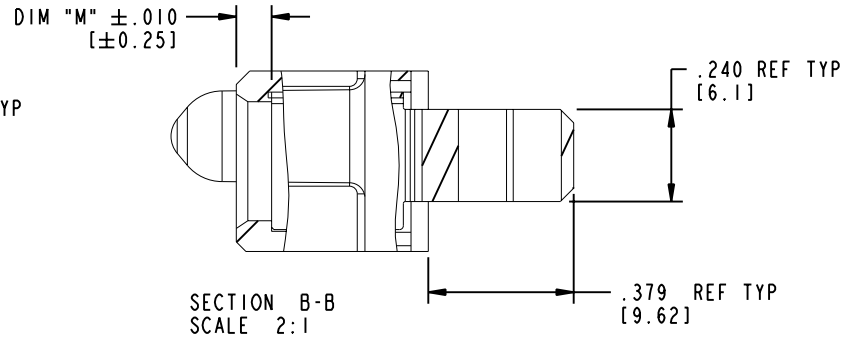
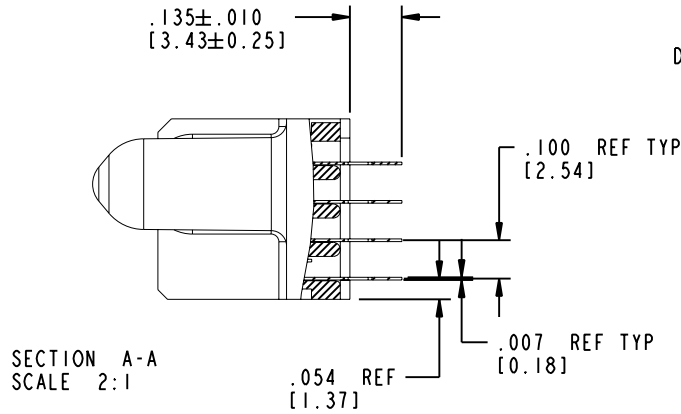
Printed: Dec 20, 2010



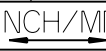
Tous droits strictement réservés. Reproduction ou communication a des tiers interdite sous quelque forme que ce soit sans autorisation écrite du propriétaire. Propriété de c FCI. Droits de reproduction FCI.

A
FCI

All rights strictly reserved. Reproduction or issue to third parties in any form whatever is not permitted without written authority from the proprietor. Property of FCI. Copyright FCI.

PRODUCT NUMBER
51897-013
NOTE ③



mat'l code				SEE NOTE 2		tolerances unless otherwise specified		CUSTOMER		 www.fciconnect.com	
ltr	ecn no.	dr	date	linear	.XX±.01/0.X±0.3	COPY				title	
A				angles	.XXX±.005/0.XX±0.13	INCH/MM				6P + 20S + 6P	
				dr	.XXXX±.0020/0.XXX±0.051	scale		product family		code	
				enr	0° ± 2°	1:1		PwrBlade		213	
				chr	STEVEN WANG 04/26/05			size		sheet	
				appd	STEVEN WANG 04/26/05			51897-013		2 of 4	
					VICTOR LIN 04/26/05						
					JOSEPH HSIA 04/26/05						
sheet index	revision sheet										

Pro/E

cage code **22526**

PDM: Rev:A

STATUS: Released

Printed: Dec 20, 2010

Tous droits strictement réservés. Reproduction ou communication a des tiers interdite sous quelque forme que ce soit sans autorisation écrite du propriétaire. Propriété de c FCI. Droits de reproduction FCI.

A
FCI

All rights strictly reserved. Reproduction or issue to third parties in any form, whatever is not permitted without written authority from the proprietor. Property of FCI. Copyright FCI.

B

PRODUCT NUMBER

51897-013--
NOTE ③

NOTES:

1. DIMENSIONS AND TOLERANCES ARE IN ACCORDANCE WITH ASME Y14.5M, 1994 UNLESS OTHERWISE SPECIFIED.

CONNECTOR NOTES:

② HOUSING MATERIAL: UL 94 V-0 GLASS FILLED
HIGH-TEMP THERMOPLASTIC
POWER CONTACT MATERIAL: COPPER ALLOY
SIGNAL PIN MATERIAL: COPPER ALLOY

3. PLATING:

51897-013 Singal Pin:30u"/0.76um Au OVER 50u"/1.27um Ni ON CONTACT AREA.
Power Pin:30u"/0.76um Au OVER 50u"/1.27um Ni ON THE CONTACT AREA,
AND 100u"/2.54um SnPb PLATING OVER 50u"/1.27um Ni ON THE TERMINATION SECTION.

51897-013LF Singal Pin:30u"/0.76um Au OVER 50u"/1.27um Ni ON CONTACT AREA.
Power Pin:30u"/0.76um Au OVER 50u"/1.27um Ni ON THE CONTACT AREA,
AND 78u"/2.00um Sn PLATING OVER 50u"/1.27um Ni ON THE TERMINATION SECTION.

PART NUMBER 51897-013LF MEETS EUROPEAN UNION DIRECTIVE AND OTHER COUNTRY REGULATIONS AS DESCRIBED IN GS-22-008.

THE HOUSING WILL WITHSTAND EXPOSURE TO 260° PEAK TEMPERATURE FOR 10 SECONDS IN A WAVE SOLDER APPLICATION WITH A CIRCUIT BOARD.

④ MANUFACTURER'S NAME, P/N, AND DATE CODE TO APPEAR ON THIS SURFACE.

5. PRODUCT SPECIFICATION GS-12-149.
APPLICATION SPECIFICATION BUS-20-067.

6. PACKAGED IN TRAYS.

PCB NOTES:


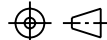

7. ALL HOLE DIAMETERS ARE FINISHED HOLE SIZE.

⑧ MOUNTING HOLES, WHERE APPLICABLE, ARE UNPLATED.

⑨ $\varnothing .0453 \pm .0010$ [1.151 \pm 0.025] DRILLED HOLES PLATED WITH
.0003 [0.008] MIN SnPb OVER .001 [0.03]
TO .003 [0.08] Cu PLATING TO ACHIEVE
 $\varnothing .040 \pm .003$ [1.02 \pm .07] HOLE.

⑩ "DIM XXX" TO BE DETERMINED BY THE CUSTOMER.

⑪ CONNECTOR KEEP-OUT ZONE.

mat'l code		SEE NOTE 2		tolerances unless otherwise specified		CUSTOMER		 www.fciconnect.com	
ltr	ecn no.	dr	date	linear	.XX±.01/0.X±0.3	COPY		title	
A				projection	.XXX±.005/0.XX±0.13			6P + 20S + 6P	
				angles	.XXX±.0020/0.XXX±0.051			VERTICAL PRESS-FIT RECEPT	
				dr	0° ± 2°	INCH/MM		product family	
				enr	STEVEN WANG 04/26/05	scale		PwrBlade	
				chr	STEVEN WANG 04/26/05	1:1		code	
				appd	VICTOR LIN 04/26/05			213	
					JOSEPH HSIA 04/26/05			sheet	
sheet index		revision sheet						4 of 4	
								A 51897-013	

Pro/E

cage code 22526

PDM: Rev:A

STATUS: Released

Printed: Dec 20, 2010