

Technical specification:

| | |
|-------------------------------------|---------------------------|
| Rated voltage: IEC 61076-2-101 | 4pos 250 V |
| Current rating: IEC 61076-2-101 | 4 A at 40°C |
| Insulation resistance: IEC 60512 | >=100 MΩ |
| Pollution degree: IEC 60664-1 | 3/2 |
| Degree of protection: IEC 60529 | IP 67, in mated condition |
| Temperature range: IEC 60664-1 | -30°C ... +80°C |
| Mating cycles: IEC 60512-9a | >=100 |

Materials:

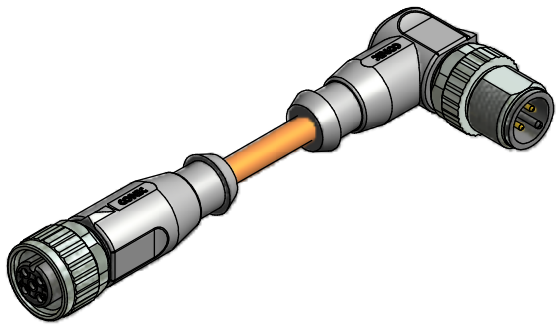
| | |
|-------------------------|----------------------|
| Contact: | CuZn |
| Contact plating: | Nickel, gold plated |
| Contact carrier: | TPU GF, UL 94 |
| Sealing: | FPM |
| Coupling nut/ screw: | GD-Zn, nickel plated |
| Moulding body: | TPU, UL 94, grey |

Installation specification:

| | |
|--------------------------|---|
| Recommended torque: | 0,6 Nm |
| Conec installation tool: | Torque wrench: 36-000200 Insert across flats 13: 36-000220 |

Contact assignment:

- 1) brown
- 2) white
- 3) blue
- 4) black



| Part no: | Description: | Length L: | Cable: |
|----------|--|-----------|---|
| 43-14613 | SAL - 12 - RK4 - RSW4 - 0,3 / J1 / A1090 | 0,3m | TPU, UL 20549, orange, 4x0,34mm² Cable: 781-J13400 |
| 43-14614 | SAL - 12 - RK4 - RSW4 - 0,6 / J1 / A1090 | 0,6m | |
| 43-14615 | SAL - 12 - RK4 - RSW4 - 1,5 / J1 / A1090 | 1,5m | |
| 43-14616 | SAL - 12 - RK4 - RSW4 - 3,0 / J1 / A1090 | 3m | |
| 43-xxxxx | SAL - 12 - RK4 - RSW4 - ... / J1 / A1090 | x | |

D see data sheet cable

| | | | | | | | | | | |
|---|--|---|-------|------|------|-------|----------|-------|-------|----------|
| DO NOT ALTER CAD DRAWING BY HAND Directive 2002/95/EC RoHS compliant | dim. in mm | title: Connecting cable M12x1, female connector axial - male connector angled | | | | | | | | |
| | <table border="1" style="font-size: 8px;"> <tr> <td></td> <td>date</td> <td>name</td> </tr> <tr> <td>drawn</td> <td>17.01.11</td> <td>Franz</td> </tr> <tr> <td>appd.</td> <td>17.01.11</td> <td>Mankopf</td> </tr> </table> | | | date | name | drawn | 17.01.11 | Franz | appd. | 17.01.11 |
| | | date | name | | | | | | | |
| | drawn | 17.01.11 | Franz | | | | | | | |
| appd. | 17.01.11 | Mankopf | | | | | | | | |
| tolerance of cable: L ≤ 4m: L + 40mm L > 4m: L + 1% | | dwg no: <div style="text-align: center; font-size: 18px; font-weight: bold;">43K1A1279</div> | | | | | | | | |
| THIS DRAWING MAY NOT BE COPIED OR REPRODUCED IN ANY WAY, AND MAY NOT BE PASSED ON TO A THIRD PARTY WITHOUT WRITTEN PERMISSION. OWNERSHIP AND COPYRIGHT OF CONEC GmbH | | part no: <div style="text-align: center; font-size: 18px; font-weight: bold;">see table</div> | | | | | | | | |