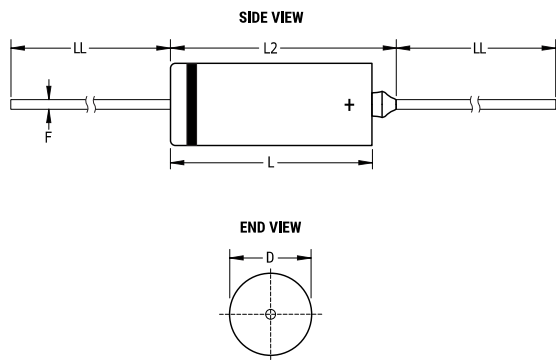


**KEMET Part Number: M39003/10-2528S**  
(T256D337K015BS, CSS33D337KBS)

T256\_CSS33, Tantalum, MnO2 Tantalum, Space, 330 uF, 10%, 15 VDC, 60 mOhms



Dimensions	
D	8.92mm +/-0.25mm
L	19.96mm +/-0.79mm
L2	23.42mm MAX
LL	38.1mm +/-6.35mm
F	0.64mm +/-0.05mm

Packaging Specifications	
Packaging:	Bulk, Tray
Packaging Quantity:	20

General Information	
Supplier:	KEMET
Series:	T256_CSS33
Dielectric:	MnO2 Tantalum
Style:	Axial Hermetic
Description:	Axial, Solid Tantalum, Hermetically Sealed, Military, CSS33 Style
Features:	Extended Capacitance, Low Leakage
RoHS:	No
Termination:	Lead (SnPb)
Lead:	Wire Leads
Construction:	Hermetic
Notes:	Dimensions Include Insulating Sleeve. Caution: Black Band Indicates Negative End Of Case

Specifications	
Capacitance:	330 uF
Capacitance Tolerance:	10%
Voltage DC:	15 VDC (85C), 12 VDC (125C Surge), 0.15 VDC (125C Reverse)
Temperature Range:	-55/+125C
Failure Rate:	B (0.1%/1000 Hrs)
Resistance:	0.06 Ohms (100kHz)
Ripple Current:	1732 mAmps (100kHz)
Leakage Current:	2 uA