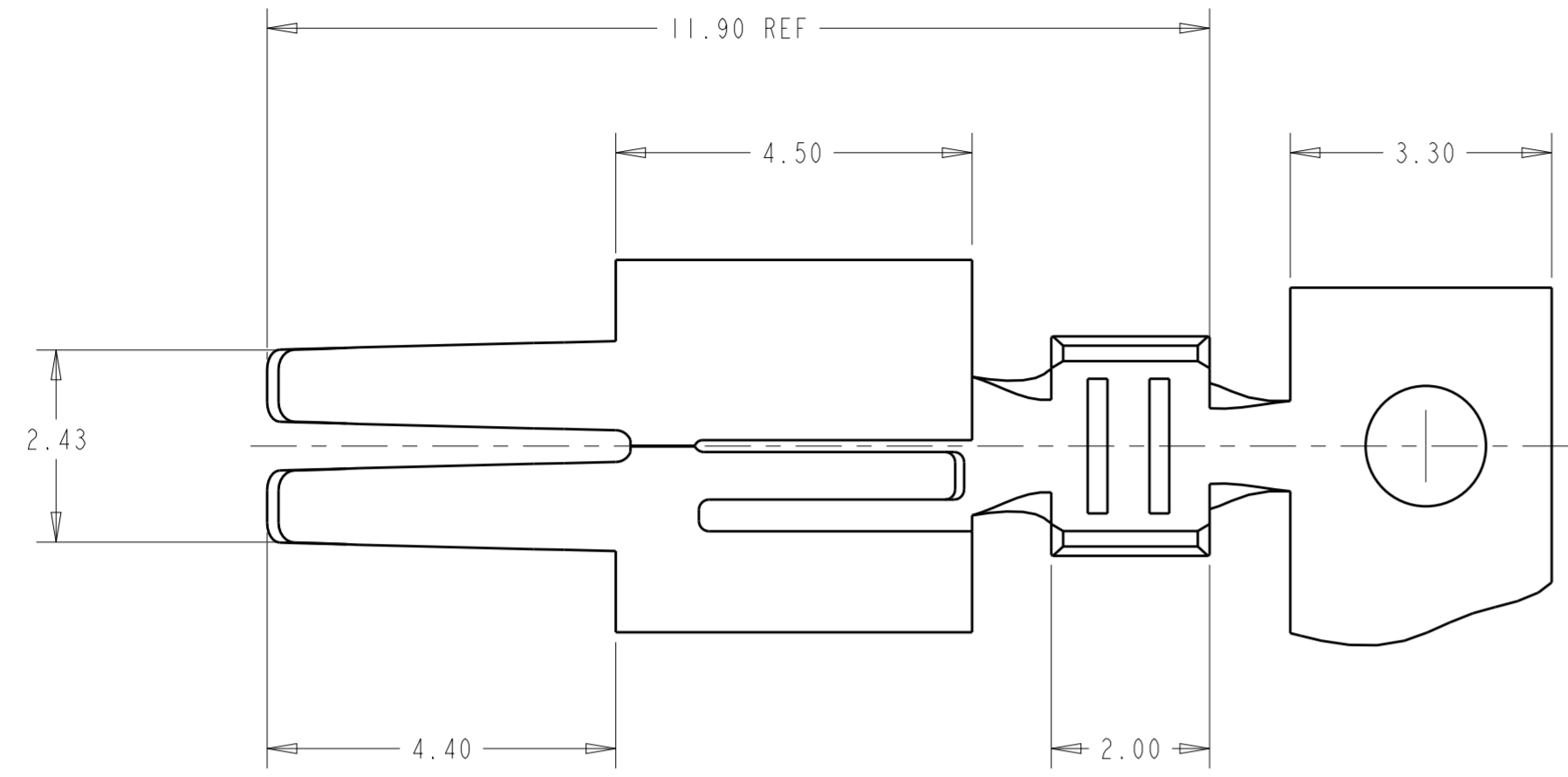
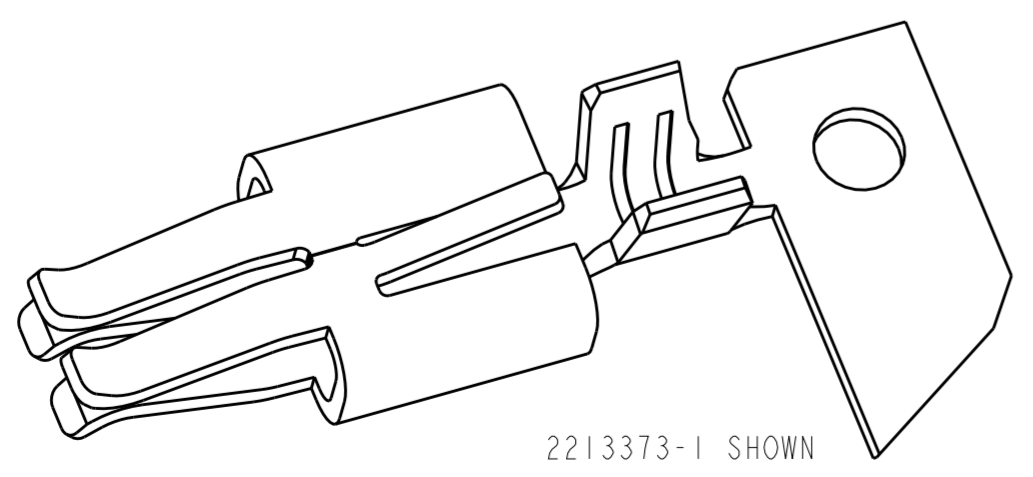
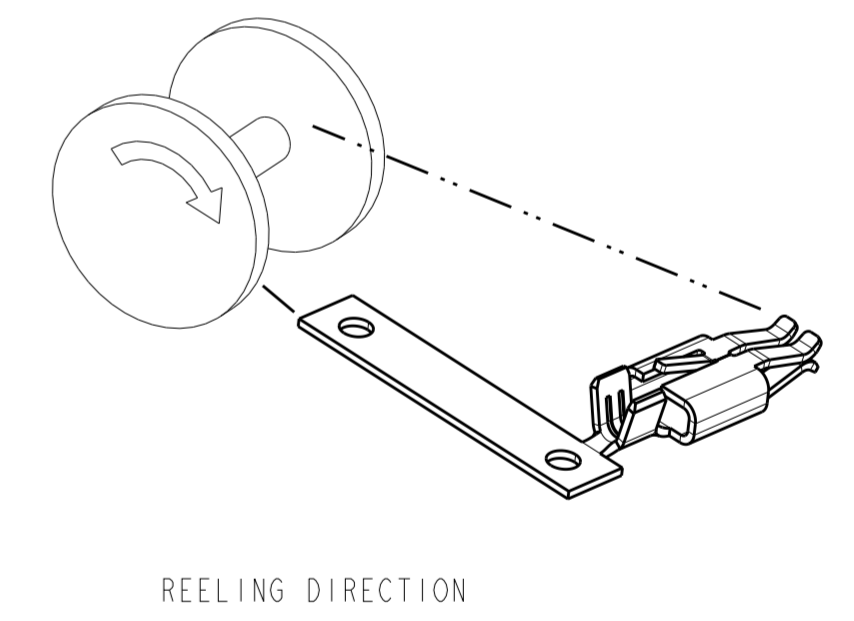
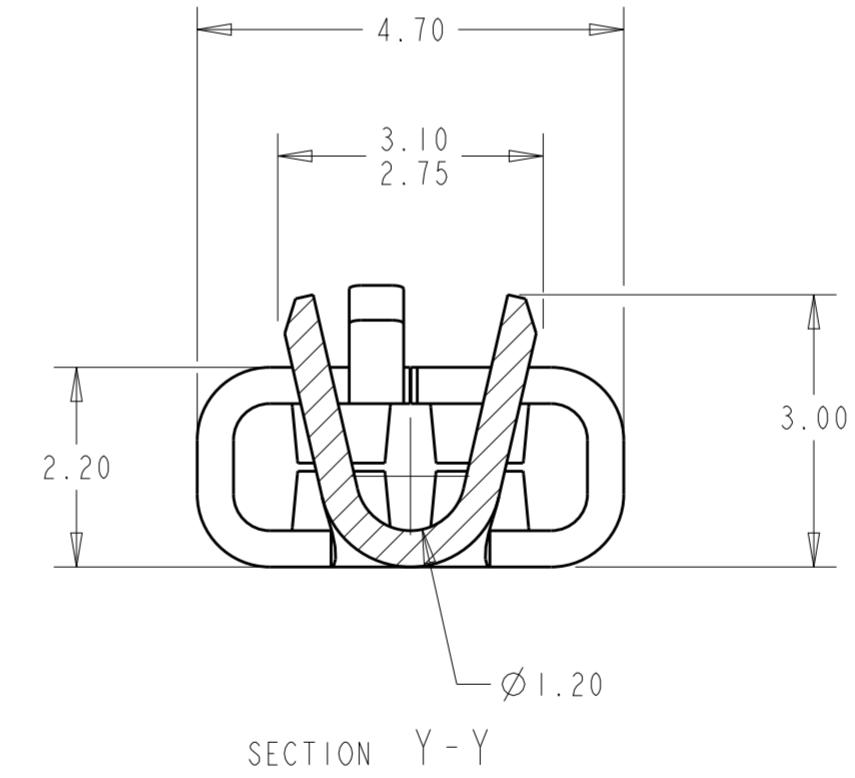
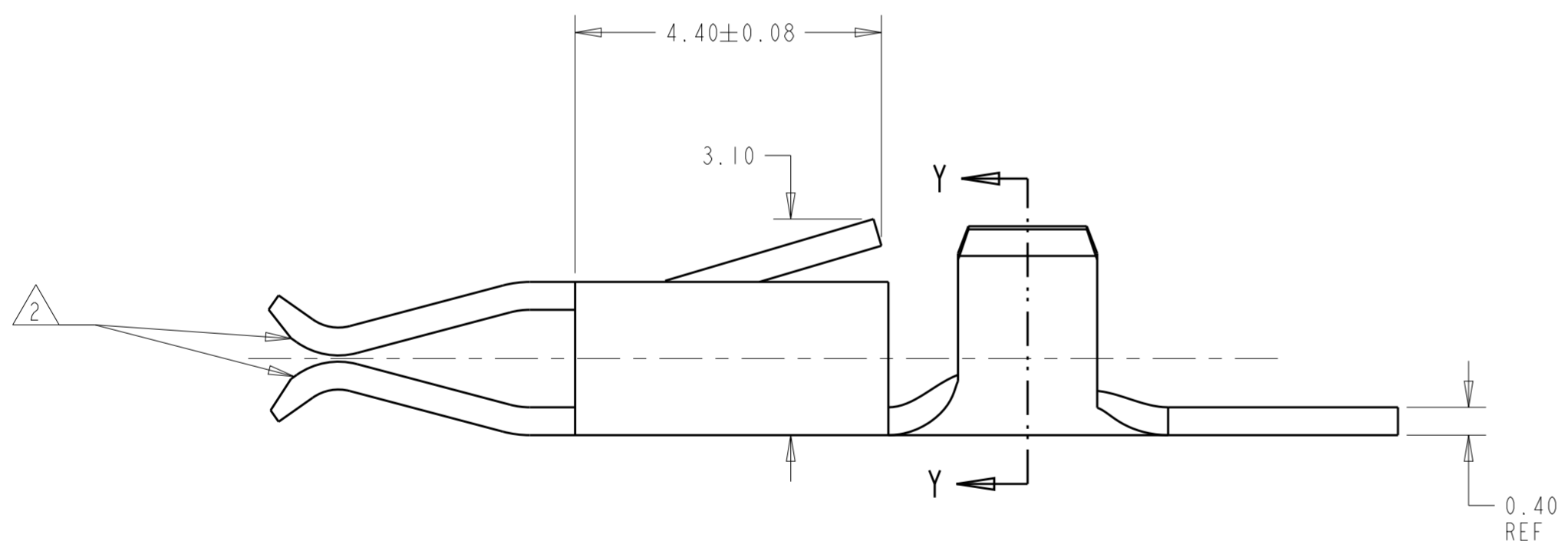


THIS DRAWING IS UNPUBLISHED. RELEASED FOR PUBLICATION 20  
 © COPYRIGHT 20 BY - ALL RIGHTS RESERVED.

LOC		DIST		REVISIONS			
P	LTR	DESCRIPTION	DATE	DWN	APVD		
A		REVISED PER ECR-14-001464	13FEB2014	RS	DD		
B		REVISED PER ECR-15-012675	01SEP2015	RS	DD		



- 1 MATERIAL: 0.40±0.01, BRASS.
- 2 PLATED OVERALL WITH NICKEL, OVER GOLD IN THE ZONE IDENTIFIED, ALL OTHER AREAS PLATED OVER WITH TIN.
- 3. WIRE RANGE :22-18 AWG.



ON STRIP	2213373-1
REMARKS	PART NO

THIS DRAWING IS A CONTROLLED DOCUMENT.		DWN	16AUG2013	TE Connectivity	
DIMENSIONS:		CHK	16AUG2013		
TOLERANCES UNLESS OTHERWISE SPECIFIED:		APVD	16AUG2013		
0 PLC ± 1 PLC ±0.3 2 PLC ±0.10 3 PLC ± 4 PLC ±0.0001 ANGLES ±2° FINISH		NAME	SOCKET CONTACT, WIRE TO BOARD CONNECTOR		
MATERIAL		PRODUCT SPEC	108-2387	SIZE	A2
1 - 2 -		APPLICATION SPEC	114-13252	CAGE CODE	00779
		WEIGHT	-	DRAWING NO	G-2213373
		Customer Drawing		RESTRICTED TO	-
				SCALE	1:2
				SHEET	1 OF 1
				REV	B