

PART NUMBER	ITEM NUMBER	M3 THREADED INSERT
SDA-71624-2000	051-25-1040	YES
SDA-71624-2004	71624-2004	NO

REV.	DATE	BY	CHK'D.	SCALE
K	11/29/95	DRS		4:1
J	04/11/95	DRS		
I	04/11/95	DRS		
LTR.	REVISIONS	LTR.	REVISIONS	

PLACEMENT	TOLERANCE	INCH	METRIC
3 PLACE	± .010	---	---
2 PLACE	± ---	± ---	---
1 PLACE	---	± ---	---

UNLESS OTHERWISE SPECIFIED  
TOLERANCES ANGULAR ± 1/2°

MOLEX INCORPORATED  
LISLE, ILL. 60532 U.S.A.

SALES ASSEMBLY

FILE NAME: S7162421.DWG  
DATE: 9/11/91

PART NO. SDA-71624-200\*

DRWG. NO. SDA-71624-200\*

SEE CHART

DRG. BY: CAB  
APP'D. BY: [Signature]

CHK'D. BY: [Signature]

SCALE: 4:1

REVISIONS: [Table]

REVISIONS: [Table]

REVISIONS: [Table]

REVISIONS: [Table]

2	M
1	M
MFG. SH. REV.	

NOTES:

1) MATERIALS:

HOUSING: GLASS FILLED LCP (LIQUID CRYSTAL POLYMER),  
UL 94V-0, COLOR: BLACK.  
TAIL ALIGNER: GLASS FILLED LCP (LIQUID CRYSTAL POLYMER)  
UL 94V-0, COLOR: BLACK.  
MOLDED STICK: GLASS FILLED LCP (LIQUID CRYSTAL POLYMER)  
UL 94V-0, COLOR: BLACK.  
MALE CONTACT: PHOS. BRONZE .012±.0005 THICK.  
OUTER SHELL: LOW CARBON STEEL.  
THREADED INSERT: BRASS.

2) PLATING :

TERMINAL: .000030/(0.00076) MINIMUM GOLD IN SELECTIVE AREA;  
.000100/(0.00254) TIN IN SELECTIVE AREA;  
OVER NICKEL UNDERPLATE OVERALL.

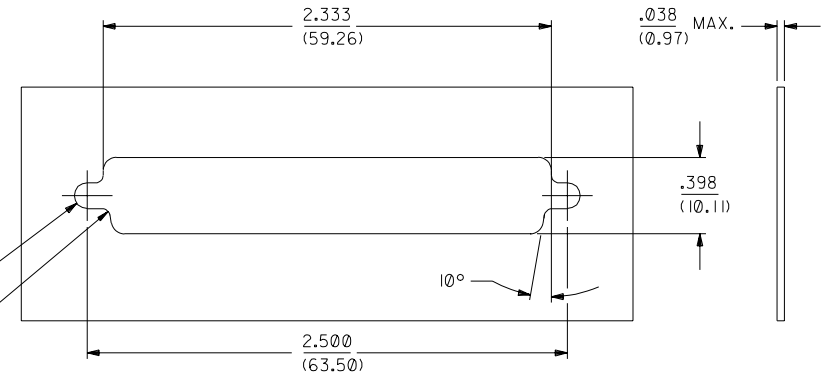
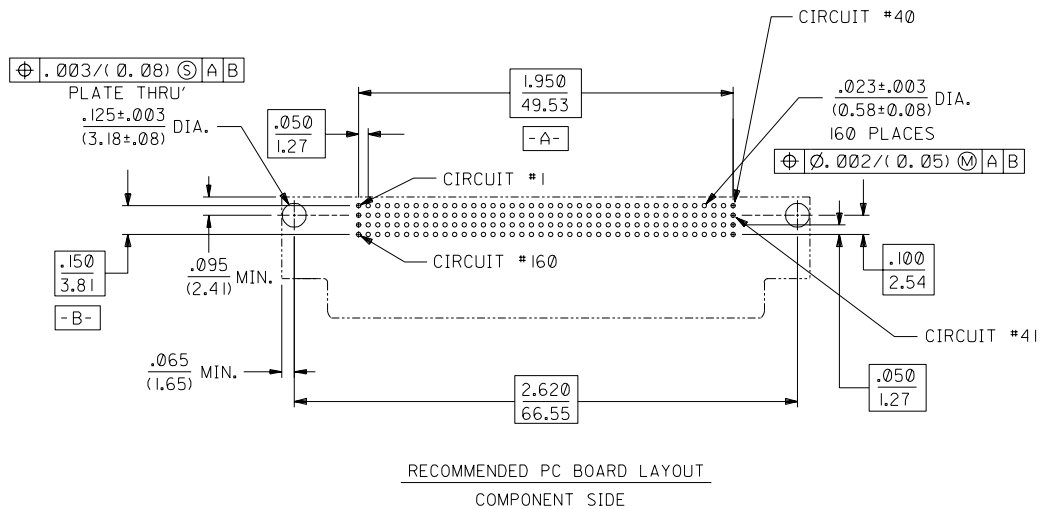
OUTER SHELL: .000150/(0.00381) MINIMUM TIN OVER  
.000050/(0.00127) MINIMUM NICKEL OVER  
COPPER FLASH (OPTIONAL).

3) THIS PART CONFORMS TO MOLEX PRODUCT SPECIFICATION PS-71626.

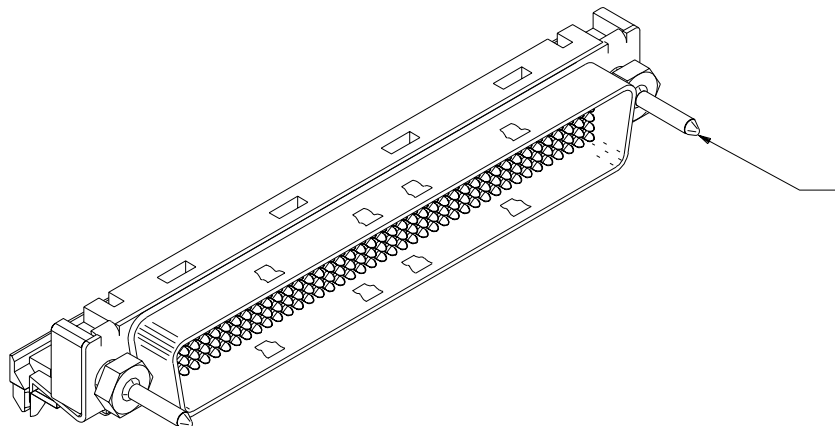
4) PACKAGING SPECIFICATION PK-70873-0224 APPLIES.

NOTE FOR LEAD FREE CONVERSION:

THE PRIMARY SHIPPING CARTON WILL BE  
LABELED "COMPLIANT TO RoHS DIRECTIVE  
2002/95/EC AND ELV ANNEX II OF  
DIRECTIVE 2000/53/EC". CARTONS  
WITHOUT THIS LABEL MAY CONTAIN  
PRODUCT WITH LEAD.



PANEL CUT-OUT DIMENSIONS  
ALL TOLERANCES ±.003/(0.08)  
UNLESS OTHERWISE STATED.



FOR OPTIONAL HARDWARE DETAILS  
SEE SDA-71628-\*\*\*\*

M		SEE SHEET I	DIMENSIONS SHOWN (METRIC) INCH		▽ = 0 ▽ = 0 REVISE ONLY ON CAD SYSTEM	
K		SEE SHEET I	UNLESS OTHERWISE SPECIFIED TOLERANCES: ANGULAR ± 1/2°		TITLE	
J		SEE SHEET I	3 PLACE ± .010 ---		.050" Pitch LFH 160 Ckt. Right Angle I/O Male Sales Assembly	
LTR.		REVISIONS	2 PLACE ± --- ± ---		MOLEX INCORPORATED SHEET NO. DATE	
			1 PLACE --- ± ---		LITSE,ILL. 60532 U.S.A. 2 9/12/91	
			DRAFT WHERE APPLICABLE MUST REMAIN WITHIN DIMENSIONS		PART NO. DRWG. NO.	
			DRWG. BY CAB CHK'D BY BIXLER		SEE SHEET I SDA-71624-200*	
			APPR'D BY CAB SCALE 2:1		FILE NAME 57162422.DWG	
					THIS DRAWING CONTAINS INFORMATION THAT IS PROPRIETARY TO MOLEX INC. AND SHOULD NOT BE USED WITHOUT WRITTEN PERMISSION.	
					DIV. SIZE CD C	