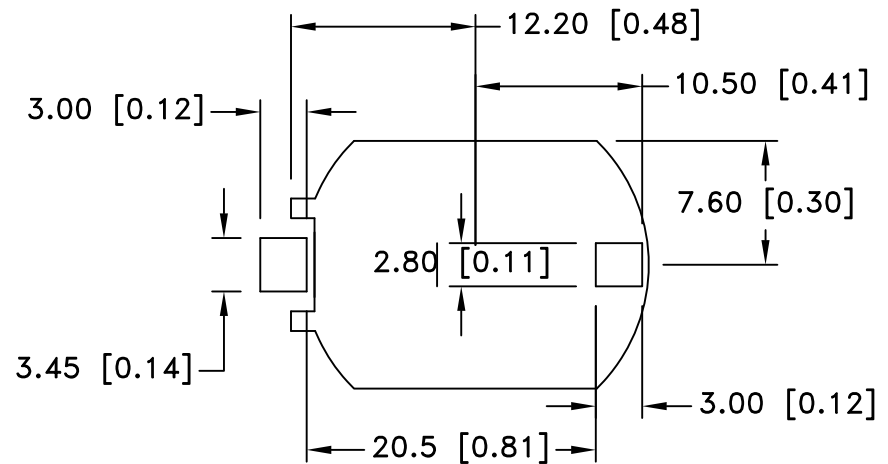
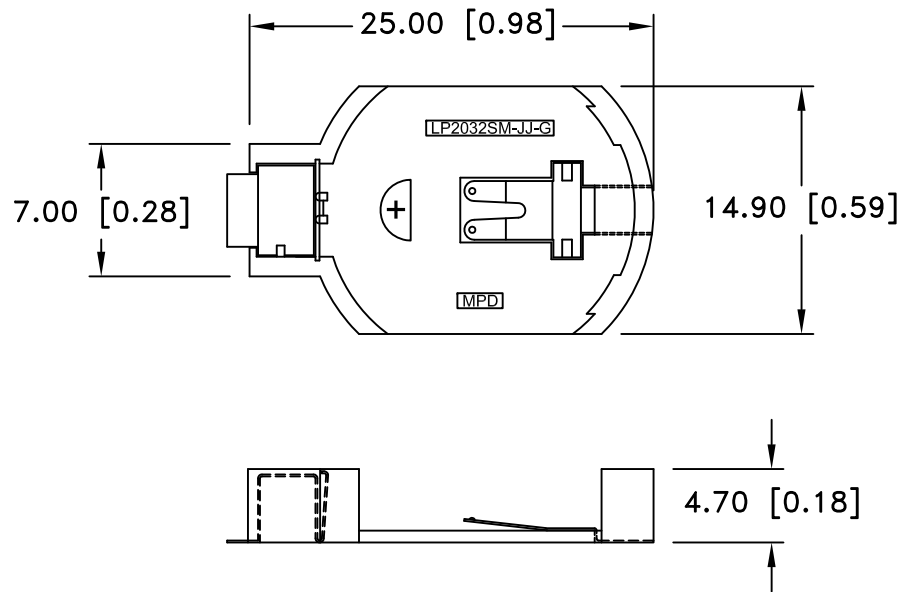


Date	SYM	REVISION RECORD	AUTH	DR.	CK.
12/06/13	A	Updated PCB layout	T.B.	B.S.	
12/05/14	B	Updated to ROHS 2 Compliant	T.B.	B.S.	
12/04/15	C	Updated positive contact and material	T.B.	B.S.	
01/27/17	D	Updated UL File number	T.B.	B.S.	




PCB LAYOUT

**SPECIFICATIONS:**

- \* Holder material- Zenite 30% glass reinforced Liquid Crystal Polymer resin, UL File No. E344082, UL94V-0
- \* Color: Off White
- \* Contacts :
  - Positive: 0.020" thick Phosphor Bronze, GOLD FLASH
  - Negative: 0.020" thick Stainless steel 301, 3/4 hard , GOLD FLASH
- \* Temperature range: -40°C to +280°C

Vibration Test: 10-50-10 Hz swept in 60 seconds  
 X,Y,Z direction: 1 hour each direction, No dislodgement of the cell or damage, No discontinuity over 10 micro-seconds  
 Shock Test: Half sine wave acceleration 150g, 6 m/s, 3 shock pulses each direction per axis, total of 18 pulses, No evidence of physical damage

ROHS 2 COMPLIANT

Tolerance (Except as noted)	 <b>Memory Protection Devices, Inc</b> 200 Broad Hollow Road, Farmingdale, New York 11735	Scale	Drawn By B.S.
		Approved By T.B.	
decimal ±.5 (.020)	Title	SURFACE MOUNT BATTERY HOLDER FOR CR2032	
Fractional ± .8 (.030)	Date	Drawing Number	
Angular ± 3°	01/27/17	LP2032SM-JJ-GTR	