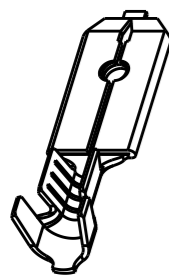
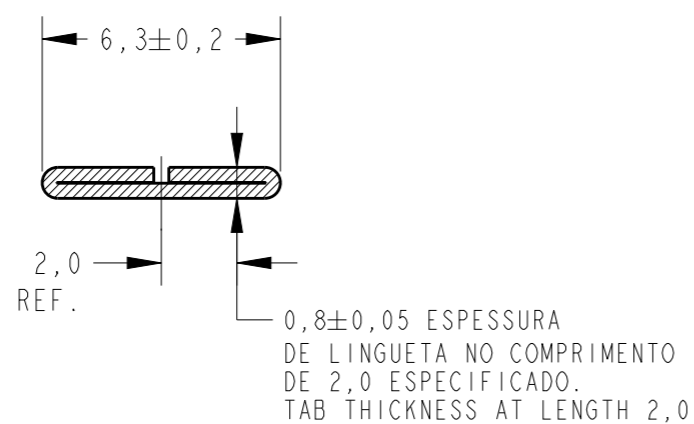
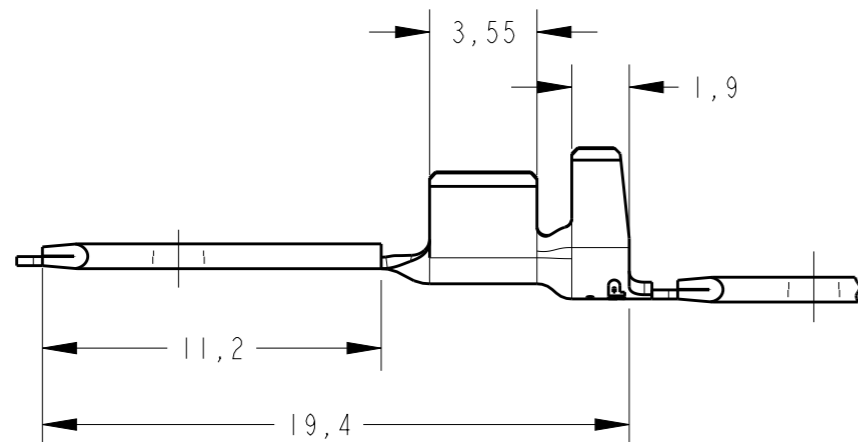
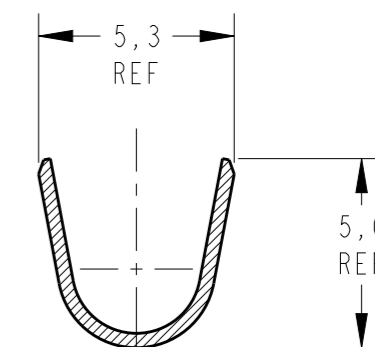
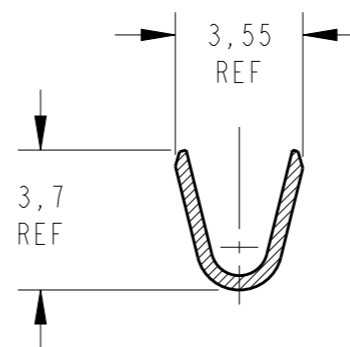
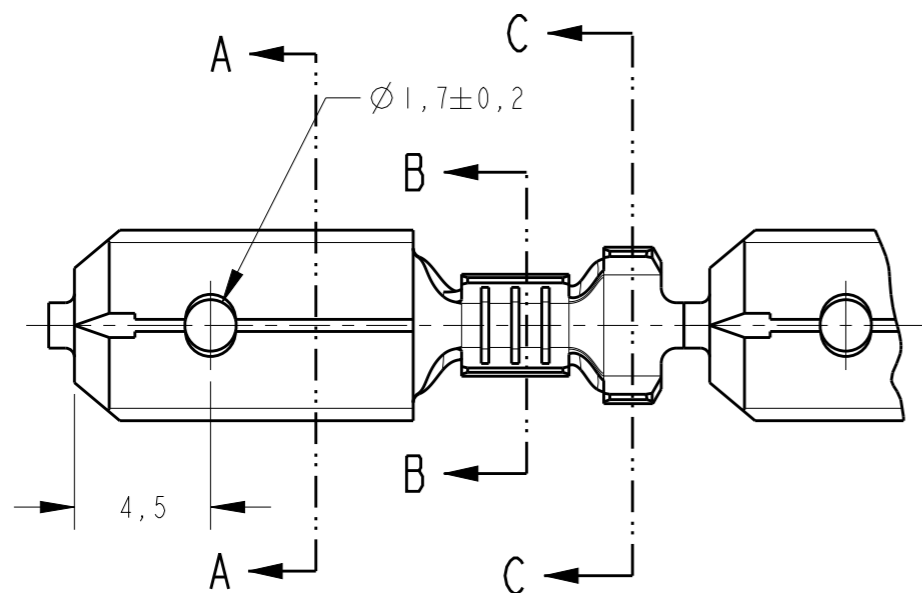
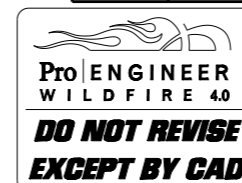


LOC AP DIST -

REVISIONS

P	LTR	DESCRIPTION	DATE	DWN	APVD
J2		REDRAW BY CAD ECO-12-014149	27AUG2012	NCL	DAO
J3		REVISED DESIGN ECO-12-020829	30NOV2012	NCL	DAO
J4		REVISED BY ECO 16-003725	23JUN2016	HC	WLS



PERSPECTIVE VIEW SCALE 2:1

SECTION A-A SCALE 5:1

FINISH	MATERIAL	PART NUMBER
OBSOLETE PRATEADO/SILVER PLATED	BRONZE FOSF./PHOSP BRONZE	626378 -4
OBSOLETE	BRONZE FOSF./PHOSP BRONZE	626378 -3
POS-ESTANHADO / TIN PLATED	LATÃO / BRASS	626378 -2
---	LATÃO / BRASS	626378 -1

INS. RANGE	WIRE RANGE
Ø 2,8-3,8mm	18-14AWG

THIS DRAWING IS A CONTROLLED DOCUMENT.		DWN NCLAPRESA 13JUL2012	TE Connectivity TERMINAL FASTON .250 TAB
DIMENSIONS: mm		CHK JRGOLDSCHMIDT 13JUL2012	
TOLERANCES UNLESS OTHERWISE SPECIFIED:		APVD DAOLIVEIRA 13JUL2012	
0 PLC ±- 1 PLC ±0,5 2 PLC ±- 3 PLC ±- 4 PLC ±- ANGLES ±1°		NAME -	
MATERIAL SEE TABLE	FINISH SEE TABLE	PRODUCT SPEC -	RESTRICTED TO -
		APPLICATION SPEC -	SIZE A3
		WEIGHT -	CAGE CODE 00779
		Customer Drawing	DRAWING NO C-626378

SCALE -	SHEET 1 OF 1	REV J4
---------	--------------	--------