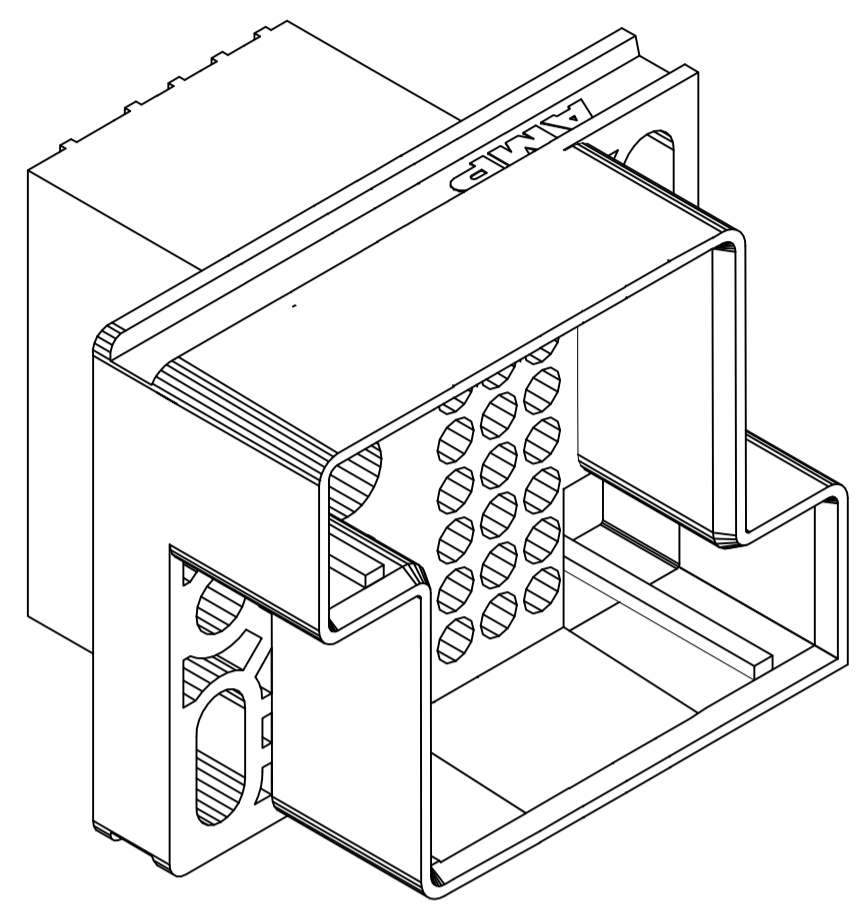
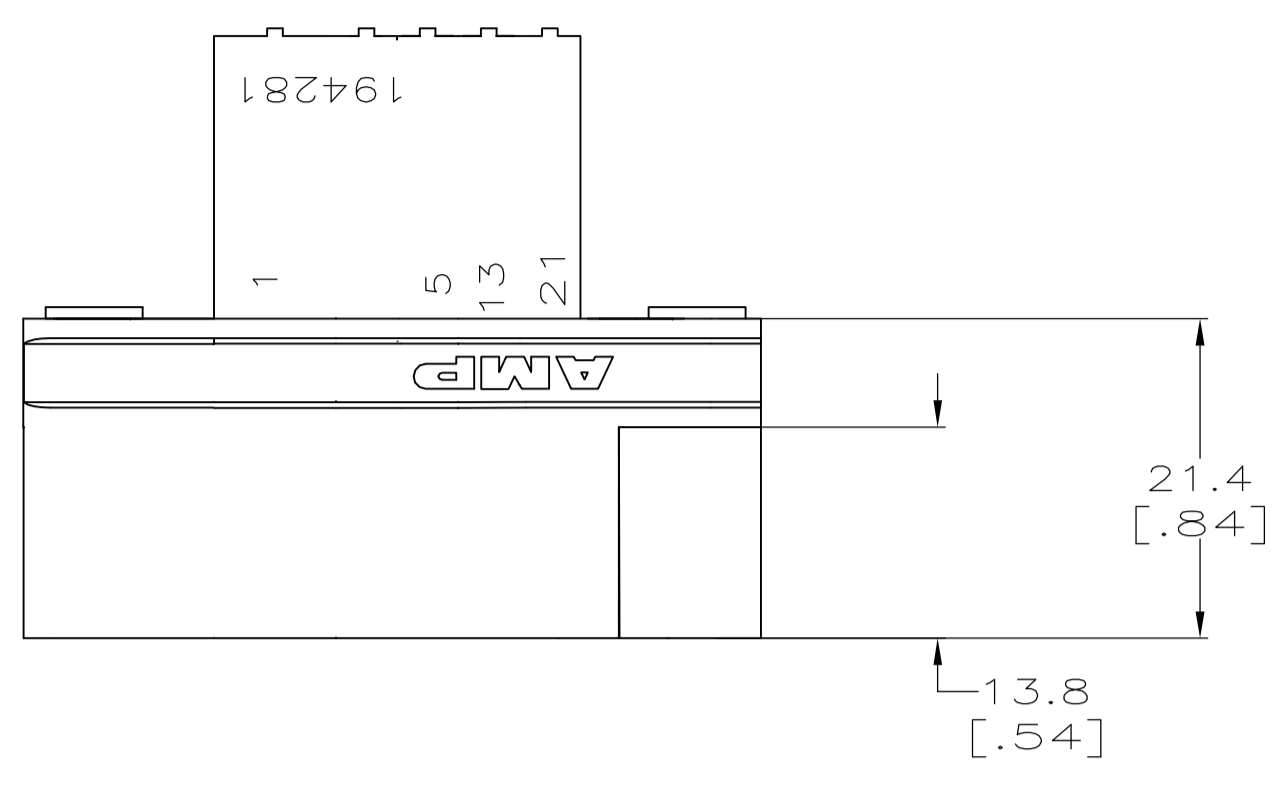


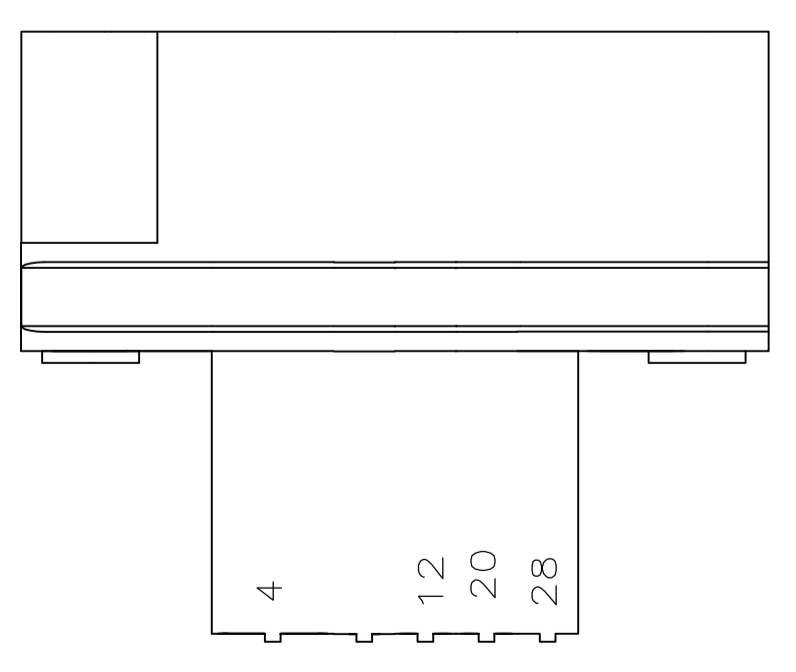
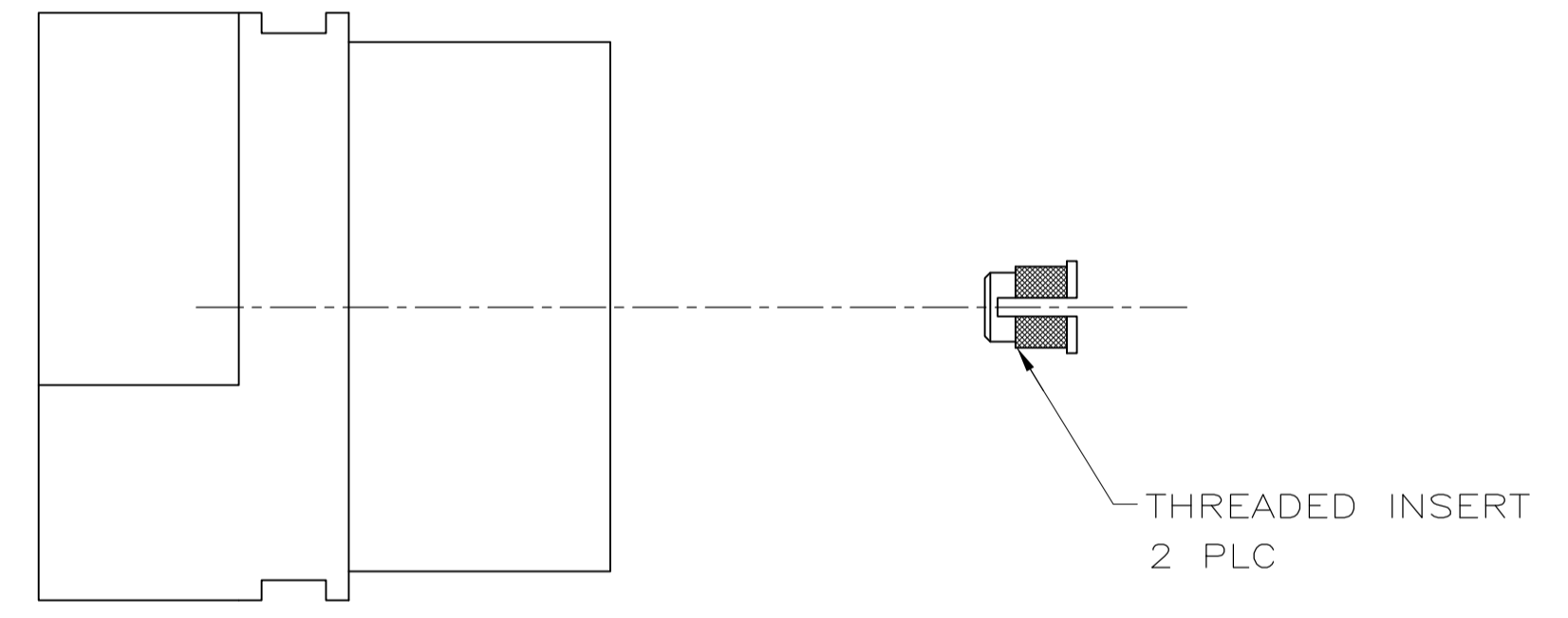
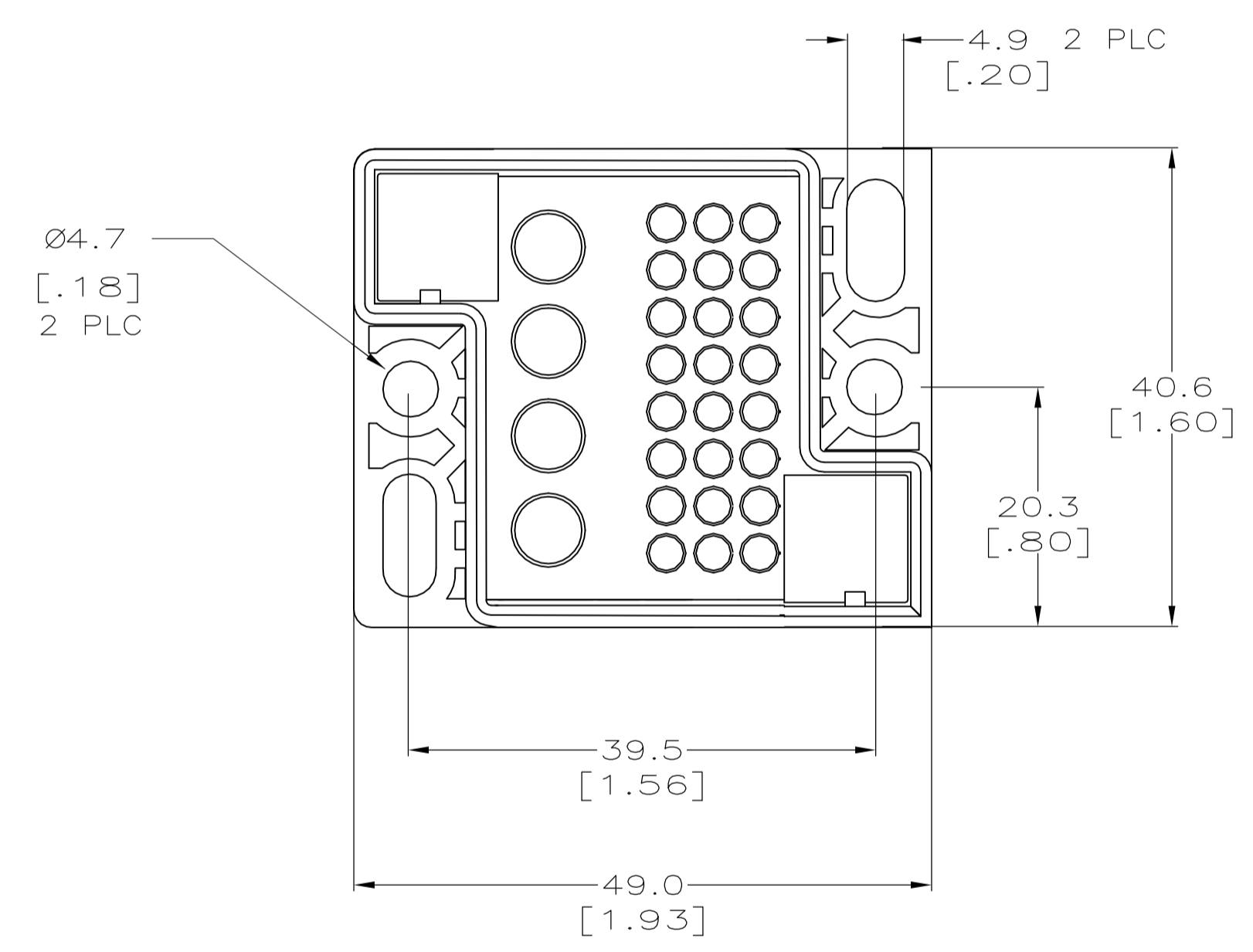
THIS DRAWING IS UNPUBLISHED. RELEASED FOR PUBLICATION .19
 COPYRIGHT 19 BY AMP INCORPORATED. ALL RIGHTS RESERVED.

* AMPOWER is a trademark

LOC	REV	DESCRIPTION	DATE	DWN	APVD
CH	11				
	0	RELEASED FOR PRODUCTION	19/AUG/98	DAP	RAR
	A	EC 0B20-0118-99	29/JAN/99	RNP	RAR
	A1	REVISED PER ECO-09-024717	06NOV09	KK	AEG



1. MATERIAL: POLYESTER PCT, BLACK.
 2. POSITIONS 1-4 ARE FOR 3mm CONTACTS.
 3. POSITIONS 5-28 ARE FOR SIZE 16 CONTACTS.
 4. ALL DIMENSIONS EXCEPT PANEL CUT OUTS ARE REFERENCE ONLY.
- ⚠ OBSOLETE PARTS: OBSOLETE CIS STREAMLINING PER D.RENAUD/D.SINISI

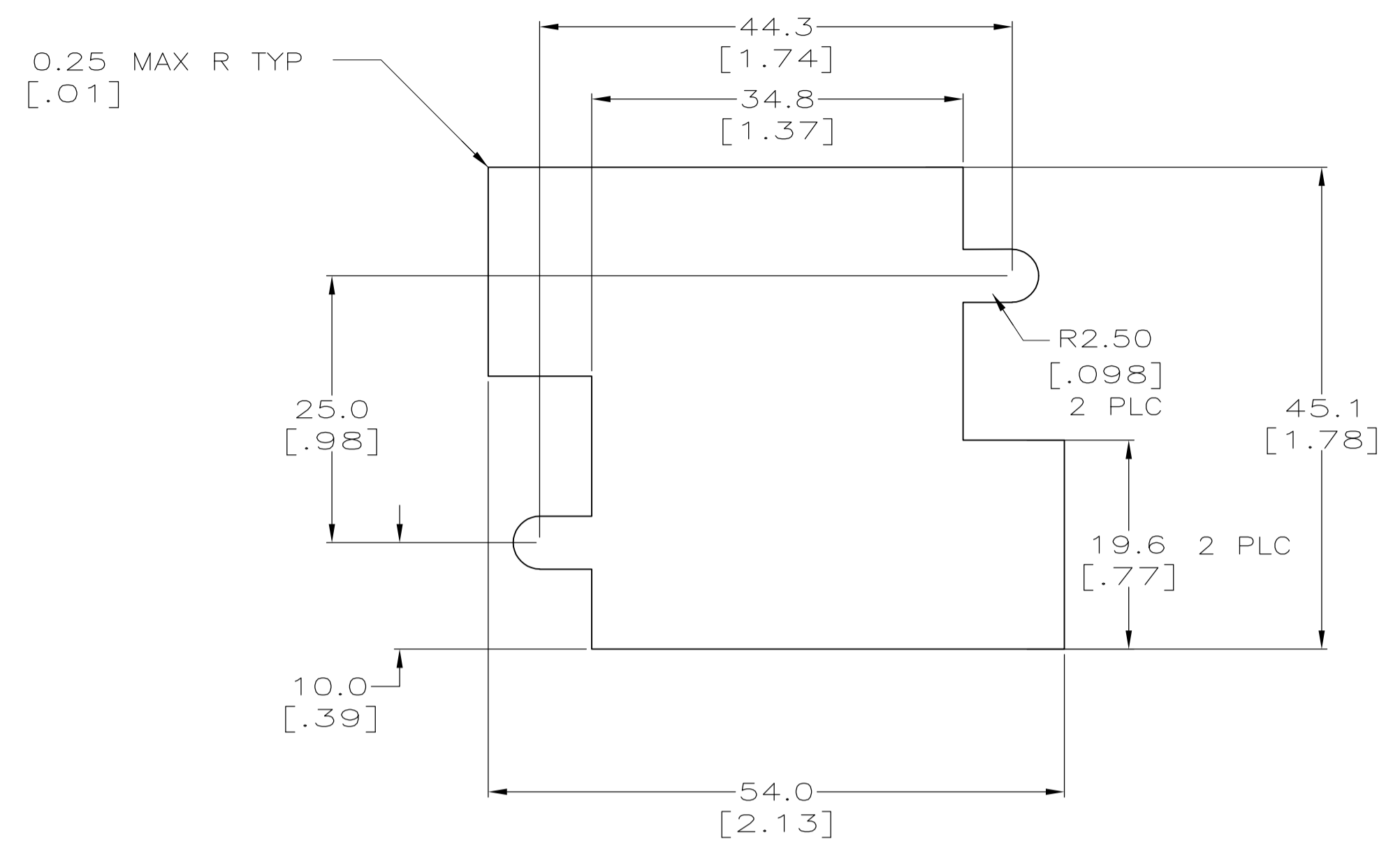


⚠ OBSOLETE	#6-32 THREADED INSERT (REAR MOUNTED)	194281-4
	NO INSERTS	194281-1
	DESCRIPTION	PART NO

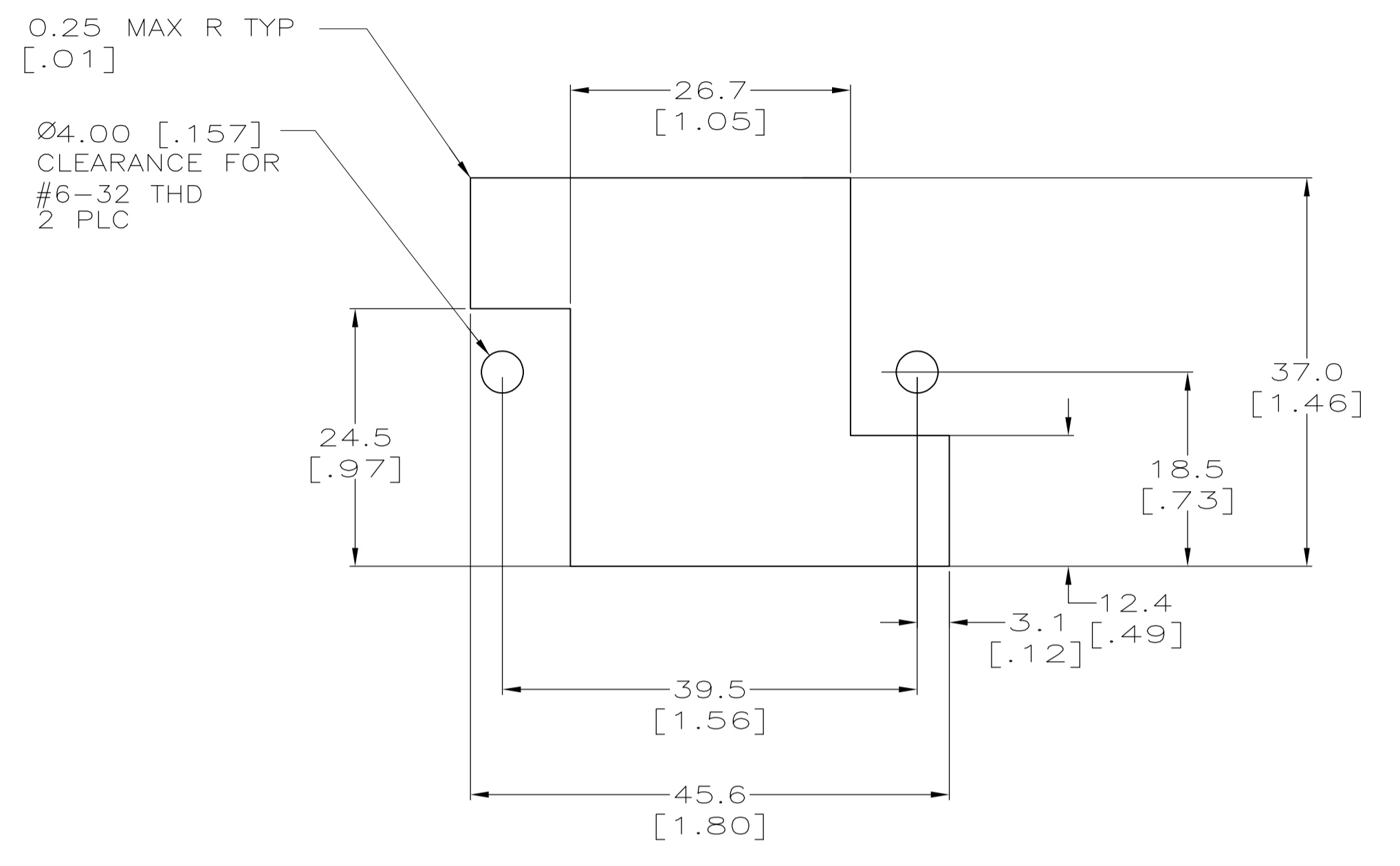
<small>THIS DRAWING IS A CONTROLLED DOCUMENT FOR AMP INCORPORATED. IT IS SUBJECT TO CHANGE AND THE CONTROLLING ENGINEERING ORGANIZATION SHOULD BE CONTACTED FOR THE LATEST REVISION.</small>		DWN D.A. PUERNER 16/JUN/98 CHN - APVD - NAME - PRODUCT SPEC - APPLICATION SPEC - WEIGHT - FINISH - CUSTOMER DRAWING	AMP Incorporated Harrisburg, PA 17105-3608 AMPOWER* Multi Pin Plus RECEPTACLE 28 POSITION SIZE: A1 CAGE CODE: 00779 DRAWING NO: 194281 SCALE: NONE SHEET 1 OF 2 REV: A1
DIMENSIONS: mm [in]	TOLERANCES UNLESS OTHERWISE SPECIFIED: 0 PLC ±- 1 PLC ±- 2 PLC ±- 3 PLC ±- 4 PLC ±- ANGLES ±-	MATERIAL: POLYESTER PCT, BLACK	

THIS DRAWING IS UNPUBLISHED. RELEASED FOR PUBLICATION .19
 BY AMP INCORPORATED. ALL RIGHTS RESERVED.

LOC		DIST		REVISIONS			
CH	11	P	LTR	DESCRIPTION	DATE	DWN	APVD
-	-	-	-	SEE SHEET 1	-	-	-



RECOMMENDED FLOAT MOUNT PANEL CUTOUT
EXTERNAL VIEW



RECOMMENDED STATIONARY MOUNT PANEL CUTOUT
EXTERNAL VIEW

THIS DRAWING IS A CONTROLLED DOCUMENT.		DWN D.A. PUERNER	16/JUN/98	AMP	AMP Incorporated Harrisburg, PA 17105-3608	
DIMENSIONS: mm [in]		CHK -	APVD -		NAME AMPOWER Multi Pin Plus	
TOLERANCES UNLESS OTHERWISE SPECIFIED:		PRODUCT SPEC		RECEPTACLE		
0 PLC ± 1 PLC ± 2 PLC ±0.20[.008] 3 PLC ±0.10[.004] 4 PLC ± ANGLES ±		APPLICATION SPEC		20 POSITION		
MATERIAL	FINISH	WEIGHT	SCALE	SIZE A1	CAGE CODE 00779	DRAWING NO. 194281
CUSTOMER DRAWING				SCALE NONE	SHEET 2 of 2	REV A.1