

COVER HANDLE

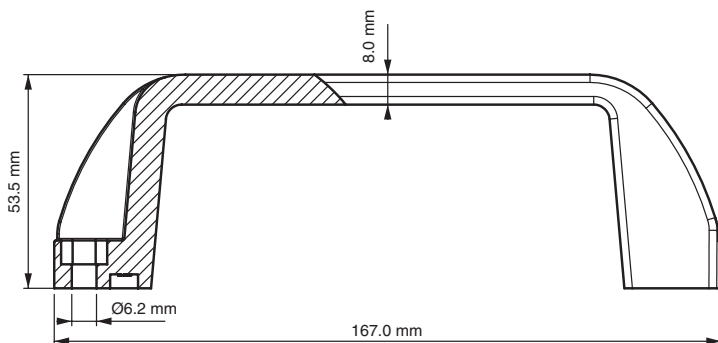


Specifications

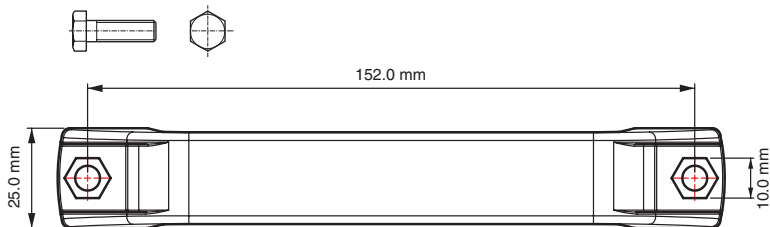
- Material: Polyamide DIN-EN ISO 1043-1

Features

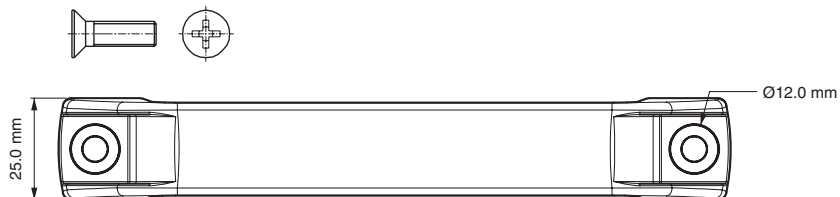
- Two different installation types
- Applications: Machinery covers



Version 1



Version 2



Item Number	Material	Finish	Version
1861	Nylon	Black	1
1862	Nylon	Black	2