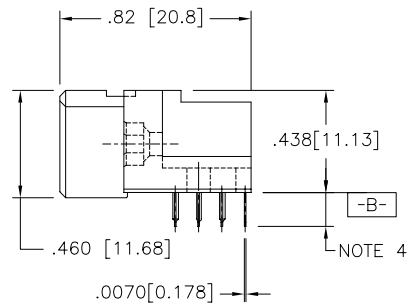
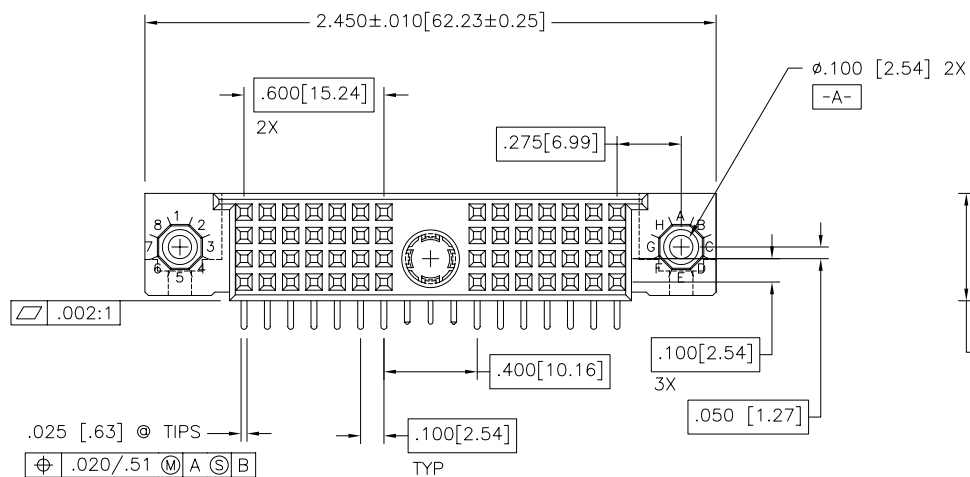
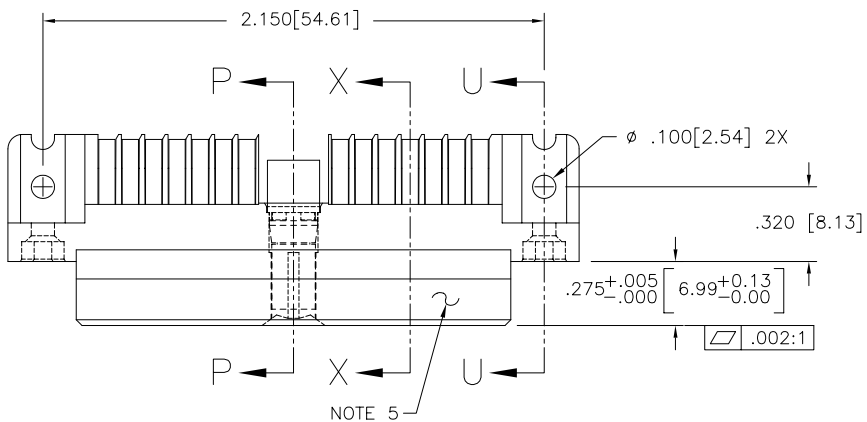


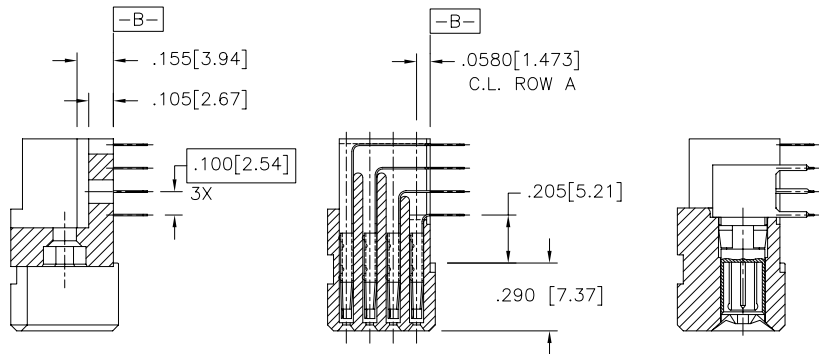
PRODUCT NUMBER  
SEE TABLE



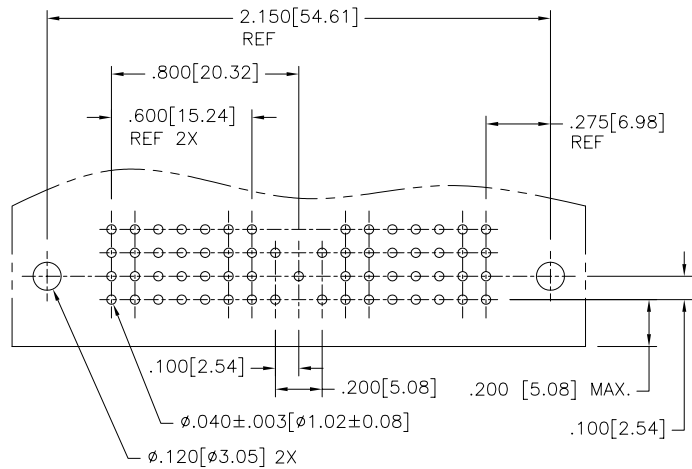
mat'l. code		surface ISO 1302 ✓		tolerance ISO 406 ISO 1101		projection INCH/MM		product family HPC	
ltr		ecn no		date		tolerances unless otherwise specified		title	
C	V80890	MSC	5/20/98	angles	linear	.XX±.01/.3	INCH/MM	4 ROW R/A RECEP	
D	V81237	MSC	6/19/98	0°±2°		.XXX±.005/.13	scale 1:1	S.T., 0 G.P., 1 P.P.	
E	V81306	MSC	7/10/98			.xxxx±.0020/.051		dwg no sheet 1 of 2 size	
F	V90638	DLW	3/9/99	dr	M. CLOUSER	2/25/98		51449 A3	
G	V00261	JWS	1/24/00	engr	J. BROWN	2/25/98		type Product Customer Drawing	
H	V05-0509	LP	7/18/05	chr	J. BROWN	2/25/98			
J	M06-0255	AGS	7/6/06	appd	J. BROWN	3/6/98			
sheet	revision	J	J						
index	sheet	1	2						

PRODUCT NUMBER	PLATING ON TAILS	PLATING ON TAILS	DESCRIPTION
51449-XX001	60u"/1.52um GXT	SnPb	STANDARD
51449-XX001LF	30u"/0.76um GXT	Sn	LEAD-FREE

NOTE 6, 7



SECTION U-U      SECTION X-X      SECTION P-P



RECOMMENDED PCB LAYOUT  
(ALL HOLES LOCATED ON .100/2.54 GRID  
UNLESS OTHERWISE SPECIFIED)

NOTES:

- THIS PRODUCT IS CONFIGURED WITH 14 COLUMNS.
- HOUSING MATERIAL: GLASS AND MINERAL FILLED HIGH TEMP. THERMOPLASTIC. FLAME RETARDANT PER UL94V-0. COLOR: BLACK. CONTACT MATERIAL: BeCu
- PLATING CONTACT AREA AND SOLDER TAILS SEE TABLE  
COAX PLATING:  
30u"/.76u Au OVER 50u"/1.27u Ni
- TAIL LENGTH:  
F = .145 ± .010 / 3.68 ± .25  
COAX TAIL LENGTH:  
.123/3.12
- MANUFACTURE'S NAME, P/N, AND LOT CODE TO APPEAR ON THIS SURFACE PER BUS-12-108.
- THIS PRODUCT (WITH "LF" SUFFIX) MEETS EUROPEAN UNION DIRECTIVES AND OTHER COUNTRY REGULATIONS AS DESCRIBED IN GS-22-008.
- THIS HOUSING WILL WITHSTAND EXPOSURE TO 260 DEGREES C PEAK TEMPERATURE FOR 10-30 SECONDS IN A CONVECTION, INFRA-RED OR VAPOR PHASE REFLOW OVEN.

mat'l. code		surface ISO 1302 ✓	tolerance ISO 406 ISO 1101	projection INCH/MM	product family HPC
ltr	ecn	no	ldr	date	tolerances unless otherwise specified
J					angles linear .XX±.01/.3 .xxx±.005/.13 .xxxx±.0020/.051
					scale 1:1
					dr M. CLOUSER 2/25/98
					enr J. BROWN 2/25/98
					chr J. BROWN 2/25/98
					appd J. BROWN 3/6/98
sheet index		revision sheet			
				title 4 ROW R/A RECP S.T., 0 G.P., 1 P.P.	
				dwg no 51449	
				sheet 2 of 2 size A3	
				type Product Customer Drawing	