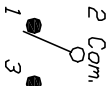


RECOMMENDED P.C.B LAYOUT
 SCALE: 2X



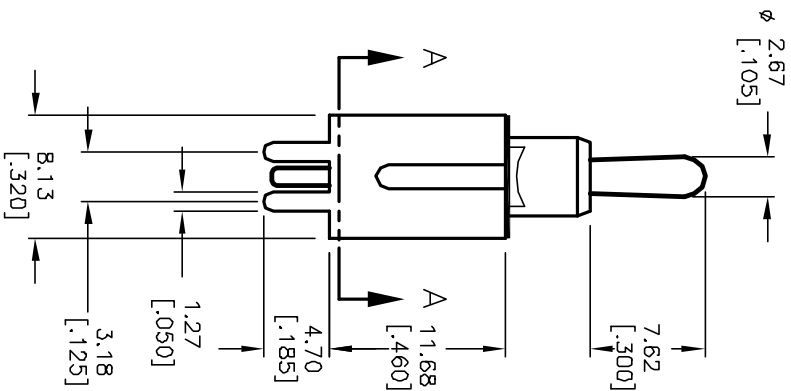
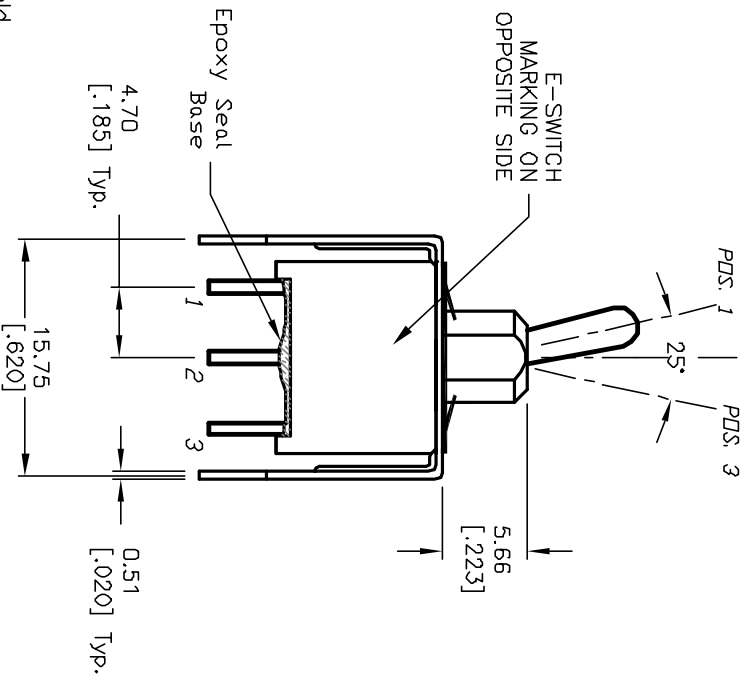
SPDT CIRCUIT
 CONTACT CONFIGURATION

SWITCH FUNCTION		
POS. 1	POS. 2	POS. 3
DN	NONE	(DN)
2-3	OPEN	2-1

() = Momentary

NOTES:

1. ALL DIMENSIONS IN MM
2. GENERAL TOLERANCE: X.X=±0.4
X.XX=±0.25
3. TERMINAL NUMBERS FOR REF ONLY
4. RATING: 0.4(VA) Max. @20V (AC or DC)
5. FIXED TERM. & MOVING CONTACT: Cu Alloy w/Gold plate over Ni plate.
6. ELECTRIC LIFE: 50,000 make-and-break cycles at full load.
7. INSULATION RESISTANCE: 1,000 Mega-ohm min.
8. DIELECTRIC STRENGTH: 1,000 V RMS @sea level.
9. OPERATING TEMP.: -30°C to 85°C



E-SWITCH®

REV.	ECN NO.	DESCRIPTION	DATE	CHKD
A	12221	RELEASED	6/11/02	CB

TITLE	SCALE	DATE	DR	DWG	REV
100A WSP-2 T2 B4 VS2 R E (GOLD CONTACTS)	2:1	6/11/02	CB	T102024	A

THE INFORMATION CONTAINED IN THIS DOCUMENT IS PROPRIETARY TO E-SWITCH AND IS NOT TO BE COPIED OR TRANSMITTED