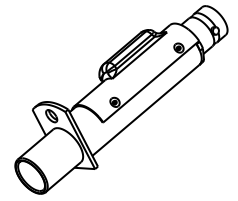
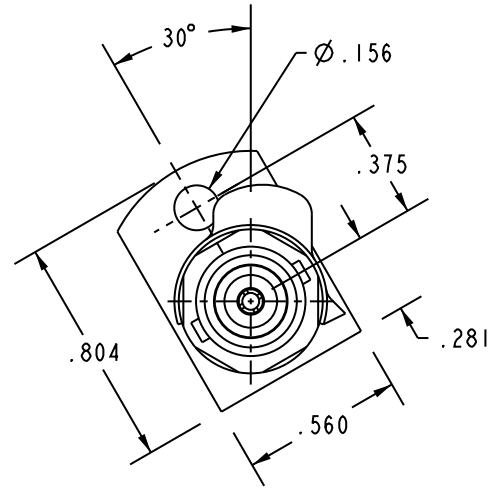
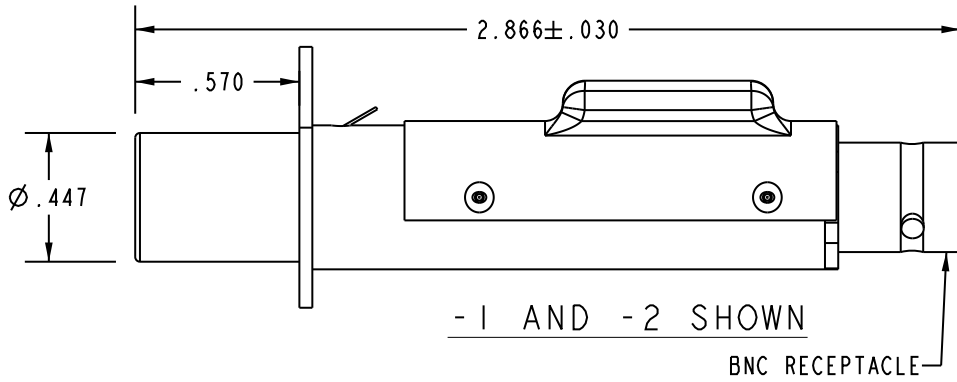


MODEL NO.	ACCEPTS PIN DIA.	RECEPTACLE TYPE
J13- $\triangle$ / <u>2</u>	.070 (RCA)	BNC
J13W- $\triangle$ / <u>2</u>	.090 (W.E.CO.)	
J13H- $\triangle$ / <u>2</u>	.070 (RCA)	TNC
J13WH- $\triangle$ / <u>2</u>	.090 (W.E.CO.)	

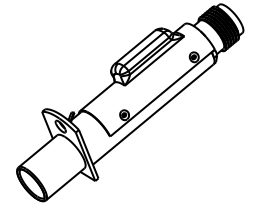
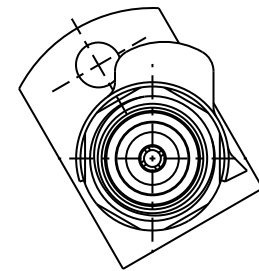
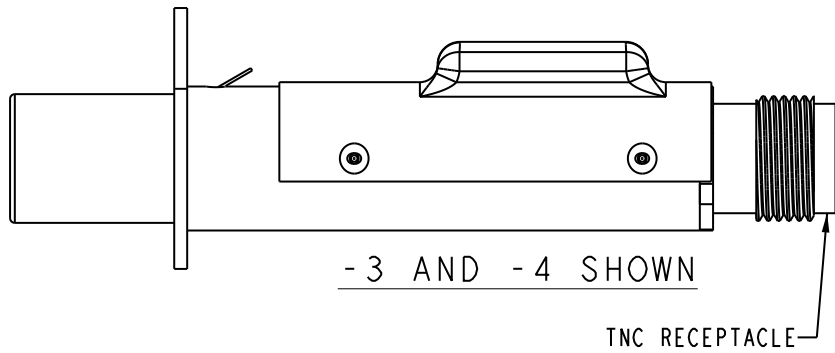
DATA CONTAINED IN THIS DOCUMENT IS PROPRIETARY TO EMERSON CONNECTIVITY SOLUTIONS AND SHALL NOT BE DISCLOSED, COPIED OR USED FOR PROCUREMENT OR MANUFACTURE WITHOUT EXPRESS WRITTEN PERMISSION

REVISIONS			
REV	DESCRIPTIONS	DATE	APPROVED
A	ECO 52227	3/24/10	C. MONAHAN



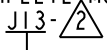
SCALE 1/2

DIMENSIONS APPLY TO ALL DASH NUMBERS



SCALE 1/2

4. EXAMPLE OF COMPLETE MODEL NUMBER:

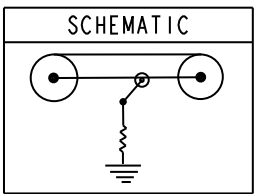


BASIC MODEL NUMBER(SEE TABLE)


3. 50 & 75  $\Omega$  SELF-TERMINATING COAXIAL PATCH JACK WITH BNC OR TNC RECEPTACLE

$\triangle$  RESISTANCE VALUE IN  $\Omega$  (1/2 W 1%)

1. TFS-1A (NICKEL)



NOTES: UNLESS OTHERWISE SPECIFIED.

INTERPRET DRAWING PER MIL-STD-100. DIMENSIONS ARE IN INCHES AND INCLUDE FINISH THICKNESS UNLESS OTHERWISE SPECIFIED.		TOL: UNLESS SPECIFIED. .XX $\pm$ .02 .XXX $\pm$ .010 ANGLE $\pm$ 1°		 Cinch Connectivity Solutions 299 Johnson Ave. Ste. 100 Waseca, MN 56093 1-800-247-8256	
DRW C. WALLACE	5/10/10	MATERIAL:		TITLE: J13/J13W/J13H/J13WH	
N/A		FINISH:		SIZE $\triangle$ 14949	CAGE CODE 1-0124
BLANK LENGTH (REF. ONLY)		APPROVED		DRAWING NO.	REV. X
N/A		PROF TITLE NO. 1-0124		DO NOT SCALE DWG	SCALE 1/1
SURFACE AREA		DATE 10/19/67		SHEET 1 OF 2	