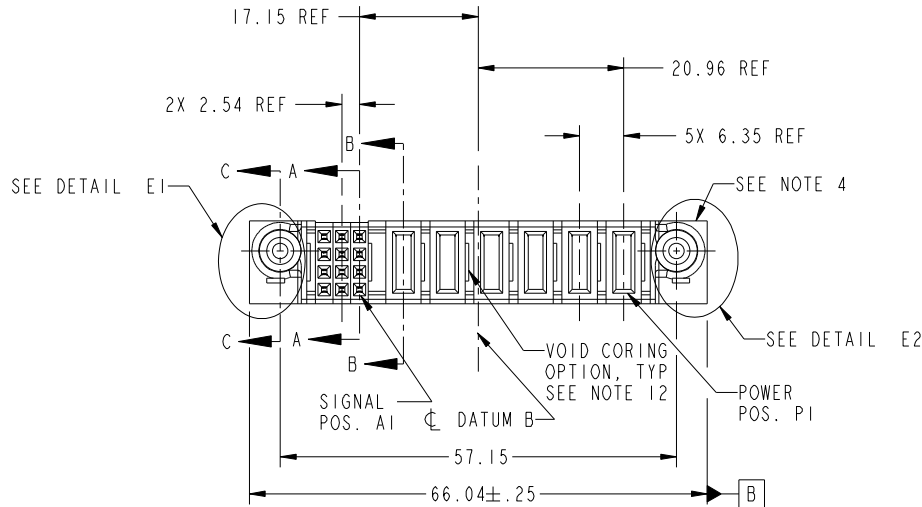
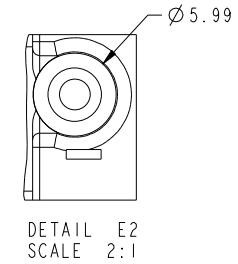
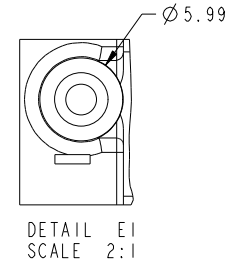
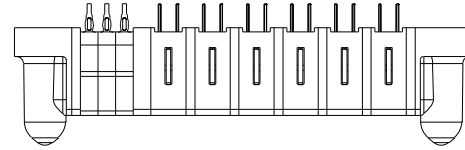


Tous droits strictement reserves. Reproduction ou communication a des tiers interdite sous quelque forme que ce soit sans autorisation écrite du propriétaire. Propriete de c FCI. Droits de reproduction FCI.



All rights strictly reserved. Reproduction or issue to third parties in any form whatever is not permitted without written authority from the proprietor. Property of FCI. Copyright FCI.

PRODUCT NO.	ROWS	SIGNAL			POWER						E1	
		E2	3	2	1	P6	P5	P4	P3	P2		P1
51752-014 NOTE: 3	D C B A											



CODE	DIM "M" MATING LENGTH	CONTACT TYPE
PF	[2.34]	POWER
F	[N/A]	SIGNAL
PC	[1.07]	POWER

mat'l code				SEE NOTES		tolerances unless otherwise specified		CUSTOMER		 www.fciconnect.com	
ltr	ecn no.	dr	date	linear	0.X ± 0.3	projection		COPY		title	
A	DG05-0282	SW	08/10/05		0.XX ± 0.13					6P + 12S	
B	DG06-0081	RYAN	02/28/06	angles	0.XXX ± 0.051					VERTICAL PRESS-FIT RECEIPT	
C	DG06-0367	JULIA	09/07/06		0° ± 2°	scale		product family		PwrBlade	code
D	DG06-0504	JULIA	12/04/06	engr	JM GUO 08/10/05	1:1		size		dwg no	213
E	DG08-0177	JULIA	07/11/08	chr	SALLY LUO 08/10/05			A		51752-014	sheet
				appd	BEER FU 08/10/05						1 of 4
					JOSEPH HSIA 08/10/05						
sheet index	revision sheet	E 1	E 2	E 3	E 4					cage code	22526

Pro/E

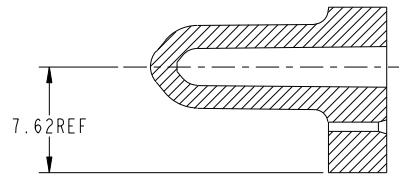
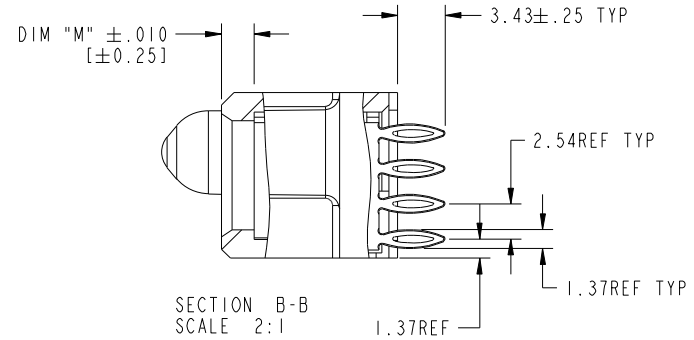
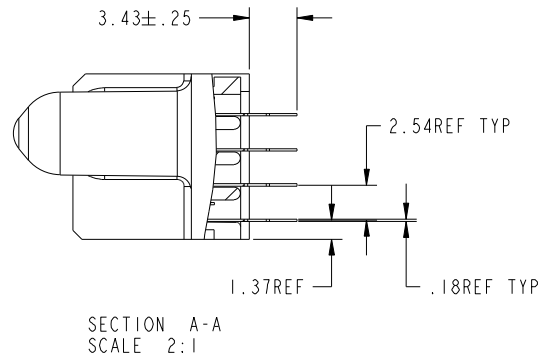
scale 1:1

Tous droits strictement reserves. Reproduction ou communication a des tiers interdite sous quelque forme que ce soit sans autorisation écrite du propriétaire. Propriete de c FCI. Droits de reproduction FCI.



All rights strictly reserved. Reproduction or issue to third parties in any form whatever is not permitted without written authority from the proprietor. Property of FCI. Copyright FCI.

PRODUCT NUMBER  
51752-014--  
NOTE: 3



mat'l code				tolerances unless otherwise specified		CUSTOMER			
ltr	ecn no.	dr	date	linear	0.X ± 0.3	COPY		www.fciconnect.com	
E					0.XX ± 0.13	projection		title	
				angles	0.XXX ± 0.051			6P + 12S VERTICAL PRESS-FIT RECEIPT	
				dr	0° ± 2°	MIM		product family	
				engr	JM GUO 08/10/05	← MIM →		PwrBlade	
				chr	SALLY LUO 08/10/05	scale		code	
				appd	BEER FU 08/10/05	1:1		213	
					JOSEPH HSIA 08/10/05	A		sheet	
sheet index		revision sheet						51752-014	
								2 of 4	

cage code 22526

Pro/E

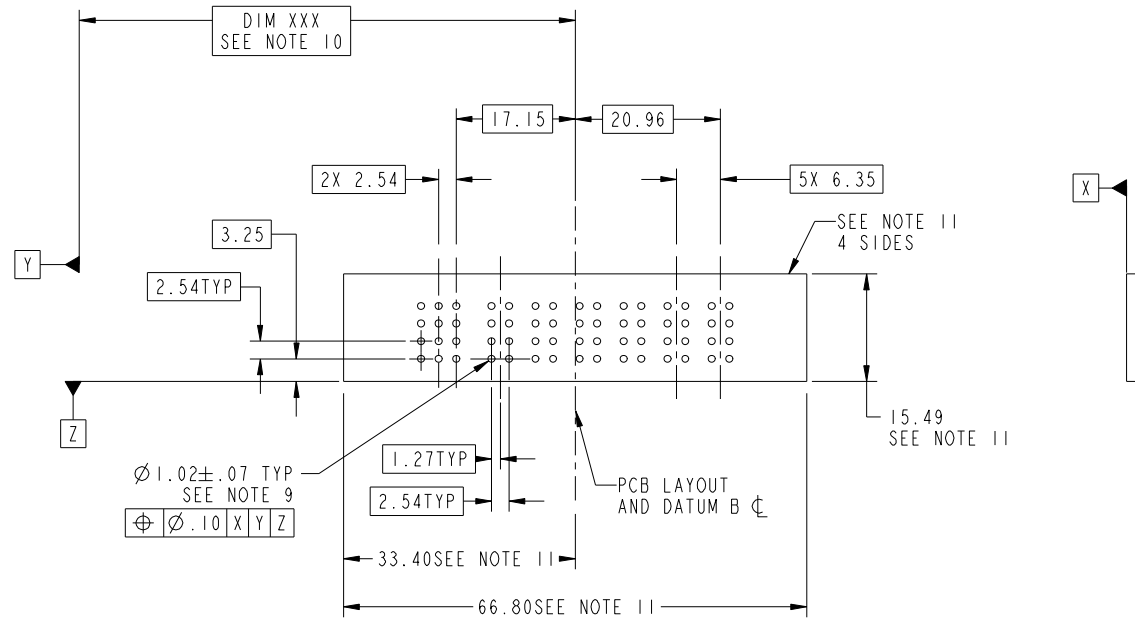
Tous droits strictement reserves. Reproduction ou communication a des tiers interdite sous quelque forme que ce soit sans autorisation écrite du propriétaire. Propriete de c FCI. Droits de reproduction FCI.



All rights strictly reserved. Reproduction or issue to third parties in any form whatever is not permitted without written authority from the proprietor. Property of FCI. Copyright FCI.

PRODUCT NUMBER  
51752-014--  
NOTE: 3

1 | 2 | 3 | 4



mat'l code				tolerances unless otherwise specified		CUSTOMER		FCI	
ltr	ecn no.	dr	date	linear	0.X ± 0.3	COPY		www.fciconnect.com	
E				angles	0.XX ± 0.13	projection		title	
				dr	0.XXX ± 0.051	MIM		6P + 12S	
				enr	0° ± 2°	scale		VERTICAL PRESS-FIT RECEPT	
				chr	JM GUO 08/10/05	1:1		product family	
				appd	SALLY LUO 08/10/05	A		PwrBlade	
					BEER FU 08/10/05			code	
					JOSEPH HSIA 08/10/05			213	
sheet index	revision sheet							size	
								dwg no	
								51752-014	
								sheet	
								3 of 4	

1 | 2 | Pro/E | 3 | cage code 22526 | 4

Tous droits strictement reserves. Reproduction ou communication a des tiers interdite sous quelque forme que ce soit sans autorisation écrite du propriétaire. Propriete de c FCI. Droits de reproduction FCI.

All rights strictly reserved. Reproduction or issue to third parties in any form whatever is not permitted without written authority from the proprietor. Property of FCI. Copyright FCI.



PRODUCT NUMBER  
51752-014--  
NOTE: 3

NOTES:

1. DIMENSIONS AND TOLERANCES ARE IN ACCORDANCE WITH ASME Y14.5M, 1994 UNLESS OTHERWISE SPECIFIED.

CONNECTOR NOTES:

2 HOUSING MATERIAL: UL 94 V-0 GLASS FILLED

HIGH-TEMP THERMOPLASTIC  
POWER CONTACT MATERIAL: COPPER ALLOY  
SIGNAL PIN MATERIAL: COPPER ALLOY

3. PLATING SPEC.  
51752-014, 51752-014LF PLATING SPEC. WAS SHOWN IN THE PRINT OF 10064183.

4 MANUFACTURER'S NAME, P/N, AND DATE CODE TO APPEAR ON THIS SURFACE.

5. PRODUCT SPECIFICATION GS-12-149.  
APPLICATION SPECIFICATION BUS-20-067.

6. PACKAGED IN TRAYS.

PCB NOTES:

7. ALL HOLE DIAMETERS ARE FINISHED HOLE SIZE.

8 MOUNTING HOLES, WHERE APPLICABLE, ARE UNPLATED.

9  $\varnothing 1.151 \pm 0.025$  DRILLED HOLES PLATED WITH  
0.008 MIN SnPb OR Sn OVER 0.03  
TO 0.08 Cu PLATING TO ACHIEVE  
 $\varnothing 1.02 \pm .07$  HOLE.

10 "DIM XXX" TO BE DETERMINED BY THE CUSTOMER.

11 CONNECTOR KEEP-OUT ZONE.

12 THE VOID CORING IN BETWEEN POWER  
MODULES, SIGNAL MODULES AND END  
MODULES ARE OPTIONAL AND THE SHAPE  
MAY BE DIFFERENT FOR OPTIMIZING THE  
MOLDING PROCESS. THE VOID CORING WILL  
NOT EFFECT TO PRODUCT FUNCTION.

mat'l code				tolerances unless otherwise specified		CUSTOMER		FCI		www.fciconnect.com	
ltr	ecr no.	dr	date	linear	0.X ± 0.3	COPY		title			
E					0.XX ± 0.13	projection		6P + 12S			
				angles	0.XXX ± 0.051			VERTICAL PRESS-FIT RECEIPT			
				dr	0° ± 2°	MIM		product family		PwrBlade	code
				enrg	JM GUO 08/10/05			size	dwg no		213
				chr	SALLY LUO 08/10/05	scale		51752-014		sheet	
				appd	BEER FU 08/10/05	1:1		A		4 of 4	
					JOSEPH HSIA 08/10/05						
sheet index		revision sheet									

cage code 22526

Pro/E