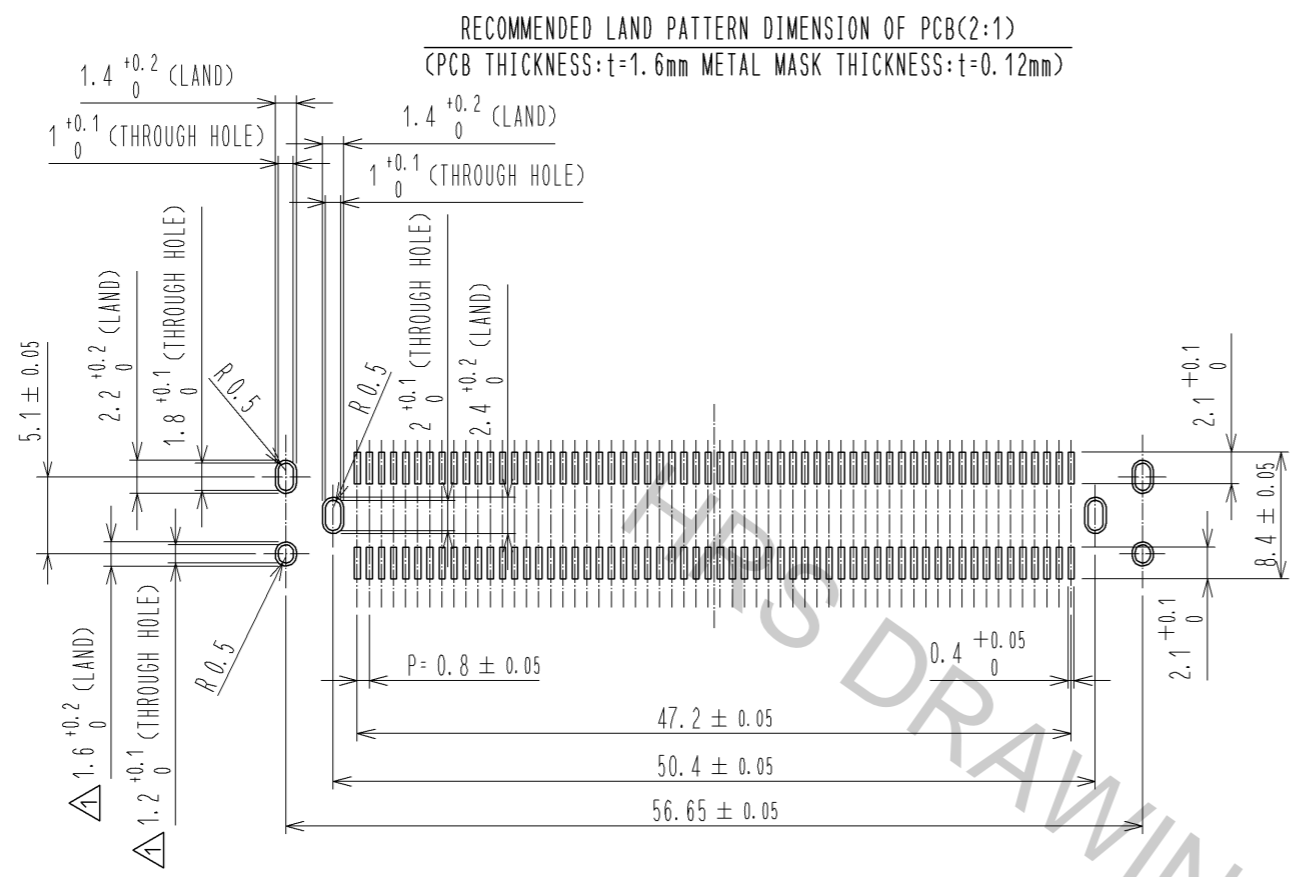


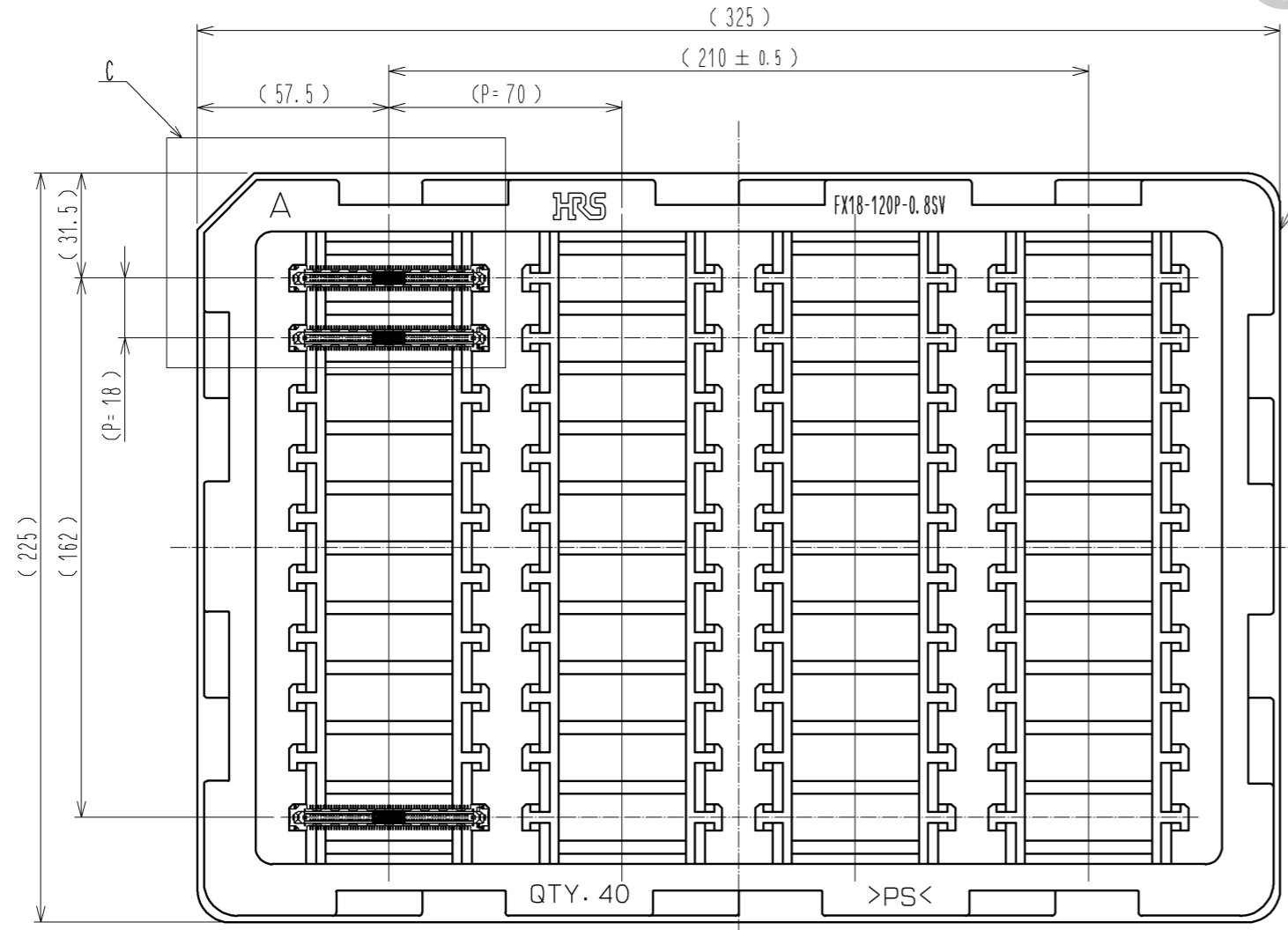
- NOTE 1 LEAD CO-PLANARITY IS 0.1mm MAX.
 2 CONTACTS ARE 3 STEPS SEQUENTIAL. (MF CONTACT A=>SIGNAL CONTACT=>MF CONTACT B)
 WHEN USING THIS SEQUENTIAL STRUCTURE, PLEASE AVOID ANGLED INSERTION.
 3 MF CONTACT A AND MF CONTACT B CAN BE USED AS POWER SUPPLY CONTACT. (3A/PIN MAX)
 4 IT SHOWS THE VACUUM PICKUP AREA. (SEE PAGE 2)
 REMOVE THE MYLAR TAPE BEFORE MATING CONNECTORS.
 5 THIS IS PACKAGED IN TRAY. (40pcs/TRAY)
 6 BLEMISH AND HIT MARK CAN BE OCCURED THROUGH OUT THE MANUFACTURING PROCESS WHICH DOESN' T AFFECT QUALITY LEVEL.
 7 THE DIMENSIONS IN PARENTHESES ARE FOR REFERENCES.

3	PHOSPHOR BRONZE	CONTACT AREA:GOLD 0.1 μm	6	POLYIMIDE	
		LEAD AREA:TIN-PLATING 1 μm			
		UNDER PLATING:NICKEL 1.3 μm			
2	PHOSPHOR BRONZE	CONTACT AREA:GOLD 0.1 μm	4	PHOSPHOR BRONZE	CONTACT AREA:GOLD 0.1 μm
		LEAD AREA:GOLD 0.03 μm			LEAD AREA:TIN-PLATING 1 μm
		UNDER PLATING:NICKEL 1.3 μm			UNDER PLATING:NICKEL 1.3 μm
1	POLYAMIDE	BLACK UL94V-0			
NO.	MATERIAL	FINISH . REMARKS	NO.	MATERIAL	FINISH . REMARKS

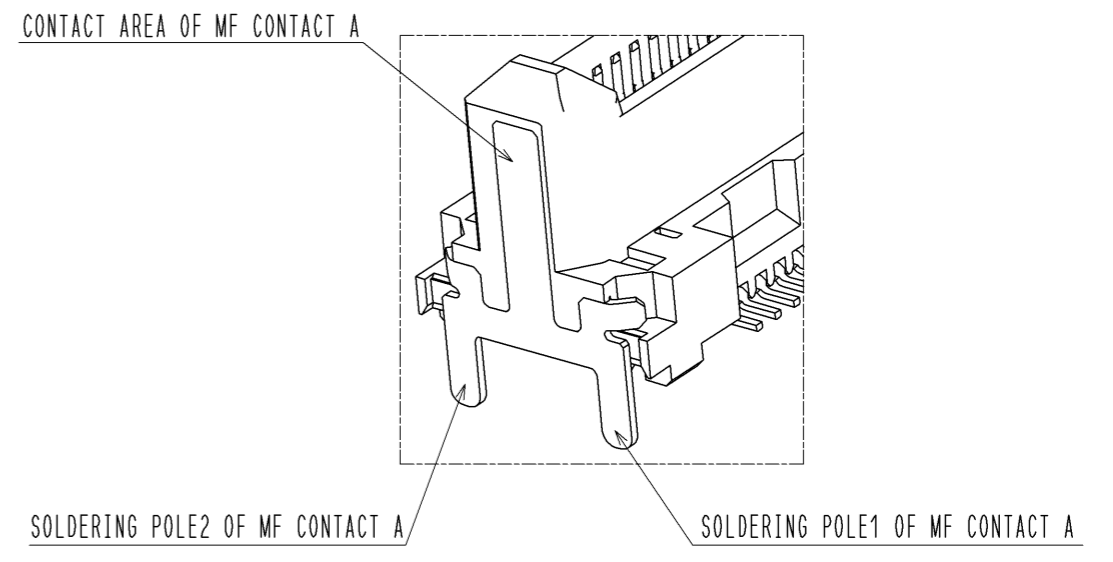
UNITS mm		SCALE 2 : 1	COUNT 4	DESCRIPTION OF REVISIONS DIS-F-005578	DESIGNED TH. SANO	CHECKED KI. HIROKAWA	DATE 11.07.21
HRS HIROSE ELECTRIC CO., LTD.		APPROVED : HS. OKAWA 09.10.09	DRAWING NO. EDC3-159564-00				
		CHECED : KI. HIROKAWA 09.10.09	PART NO. FX18-120P-0.8SV				
		DESIGNED : TH. SANO 09.10.09	CODE NO. CL579-0020-7-00				
		DRAWN : TH. SANO 09.10.09					



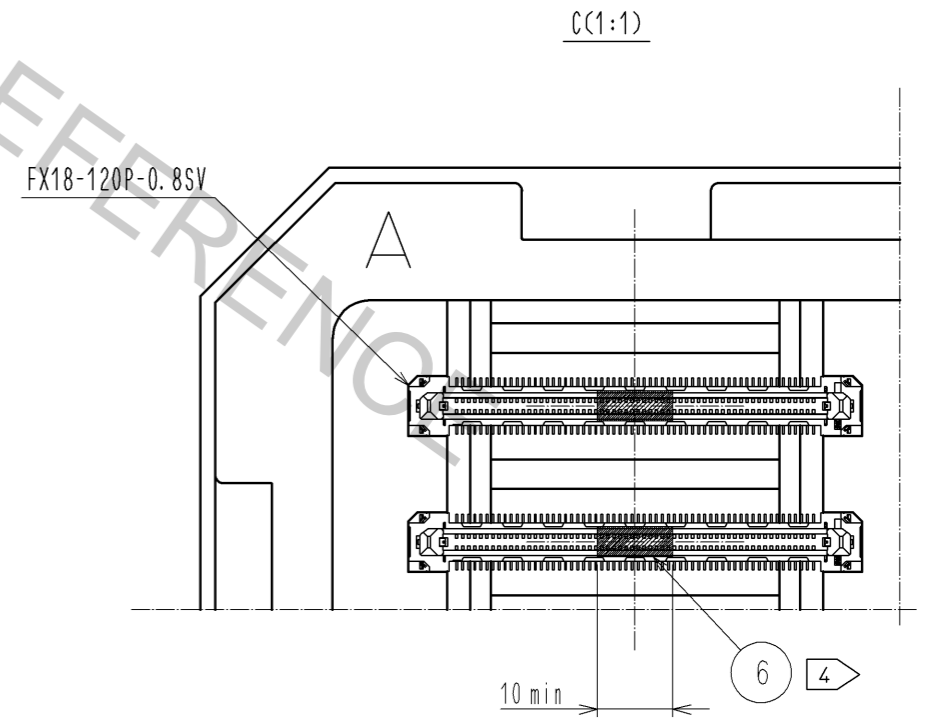
5 DRAWING FOR PACKING(1:2)



8 CONFIGURATION OF MF CONTACT A



NOTE 8 SOLDERING LEAD OF MF CONTACT A SPLITS INTO TWO POLES. BE SURE TO CONNECT TO THE SAME CIRCUIT.



HRS	DRAWING NO.	EDC3-159564-00	
	PART NO.	FX18-120P-0.8SV	
	CODE NO.	CL579-0020-7-00	