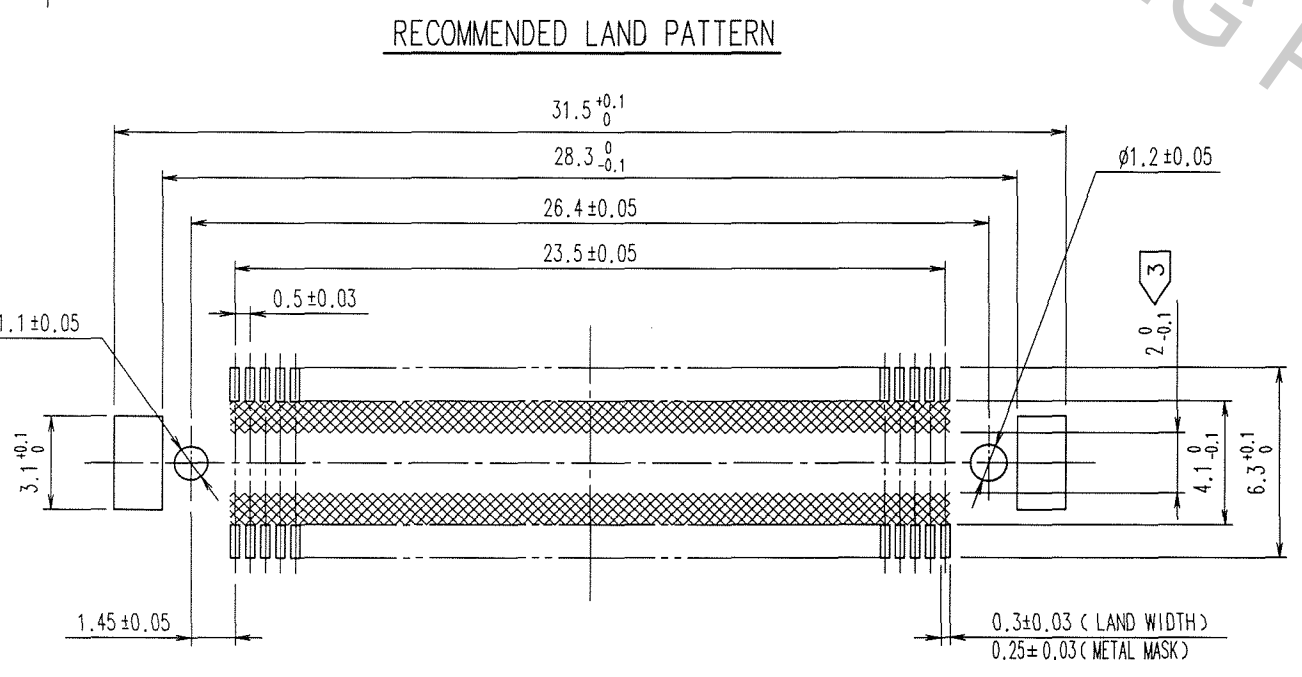
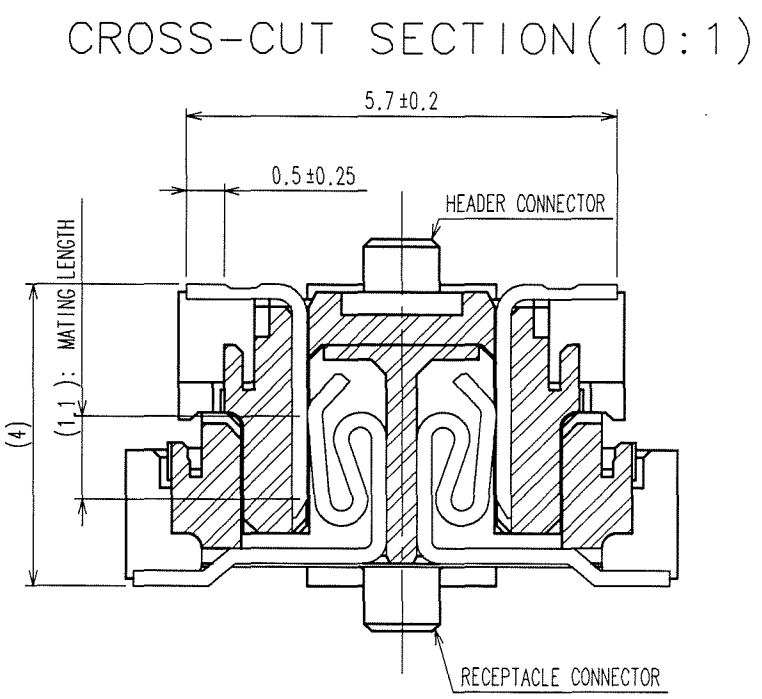
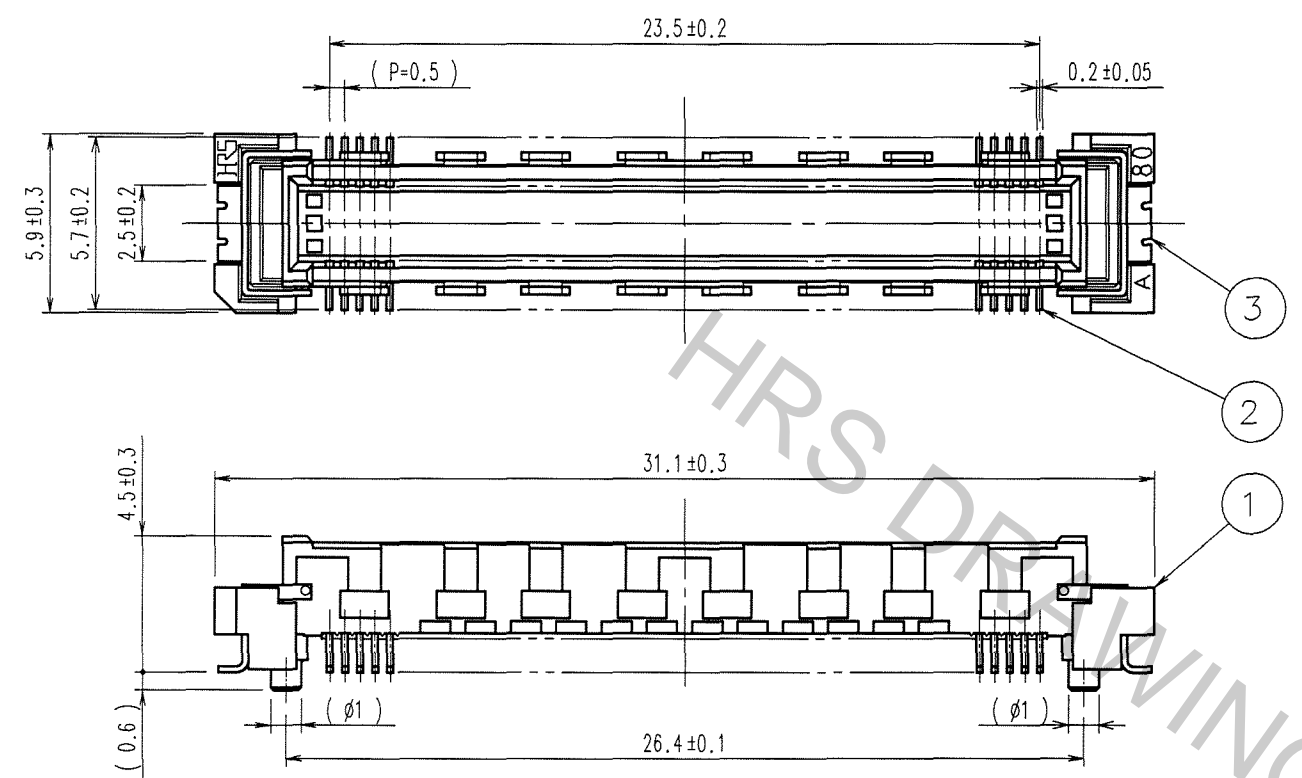


Apr.1.2017 Copyright 2017 HIROSE ELECTRIC CO., LTD. All Rights Reserved.

COUNT	DESCRIPTION OF REVISIONS	BY	CHKD	DATE	COUNT	DESCRIPTION OF REVISIONS	BY	CHKD	DATE
△				..	△				..
△				..	△				..
△				..	△				..



- NOTES
- 1 SMT LEAD-COPLANARITY:0.1 MAX.
 - 2 THIS PRODUCT HAS NO POLARITY TO MOUNT ON THE RECOMMENDED LAND PATTERN.
 - 3 NO PATTERN SHALL BE DESIGNED IN THIS AREA ,TO PREVENT CONTACTS FROM BEING TOUCHED WITH PATTERN.
 - 4 THE DIMENSIONS IN PARENTHESES ARE FOR REFERENCE.

1	LCP	BEIGE	UL94V-0	2	PHOSPHOR BRONZE	TIN-PLATING
NO.	MATERIAL	FINISH, REMARKS	NO.	MATERIAL	FINISH, REMARKS	
3	PHOSPHOR BRONZE	TIN-PLATING				
2	PHOSPHOR BRONZE	CONTACT AREA : GOLD 0.1μm min. LEAD AREA : TIN-PLATING 1μm min. UNDER PLATING : NICKEL 1μm min.				
CODE NO. (OLD) CL		DRAWN K.DOI 06.04.17	DESIGNED <i>K. Doi</i> 06.04.17	CHECKED <i>K. Ogawa</i> 06.04.18	APPROVED <i>H. Okawa</i> 06.04.18	RELEASED
SCALE 4 : 1		DRAWING NO. EDC3-151968-25		PART NO. FX10A-96P-SV1(71)		
UNITS mm		HRS HIROSE ELECTRIC CO., LTD		CODE NO. CL570-0141-4-71		1/1

TO