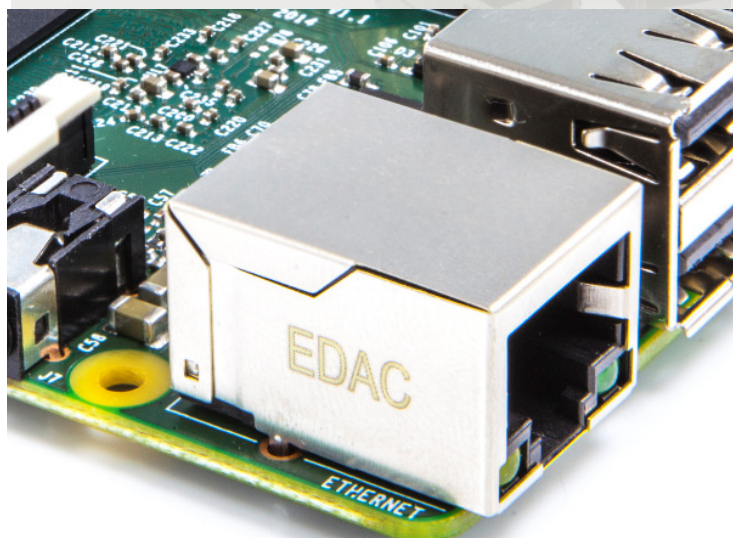
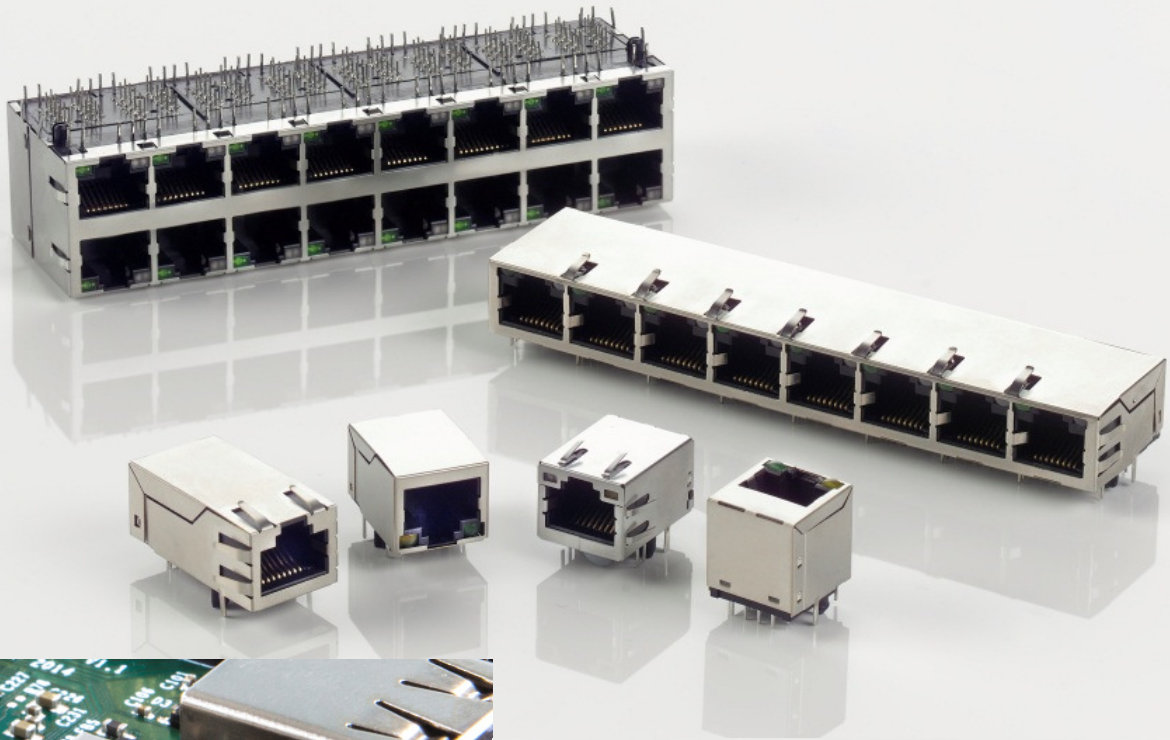
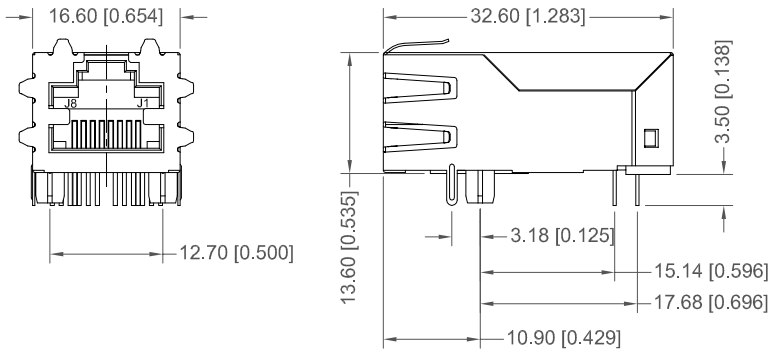




# MAGNETIC JACK CONNECTORS (A60 SERIES)



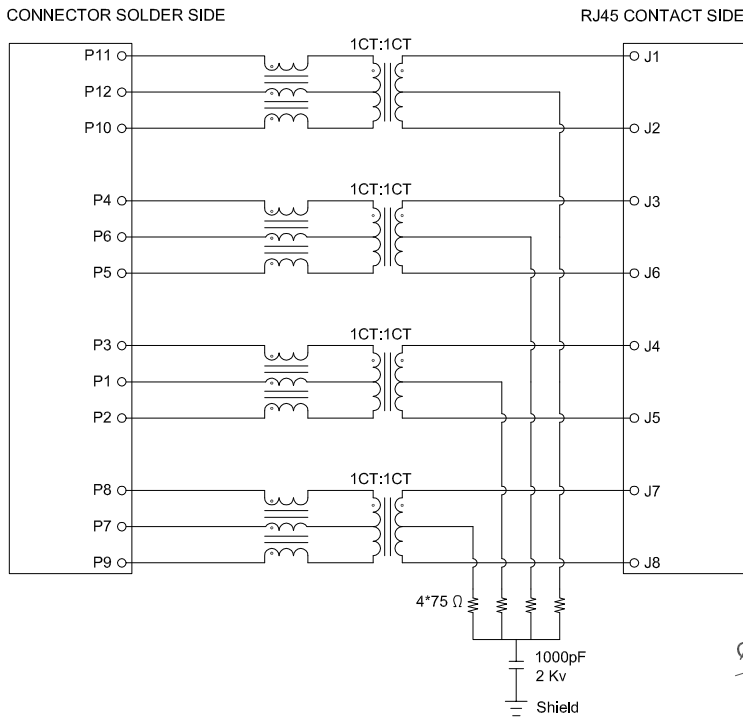
### 1. MECHANICAL DIMENSIONS:



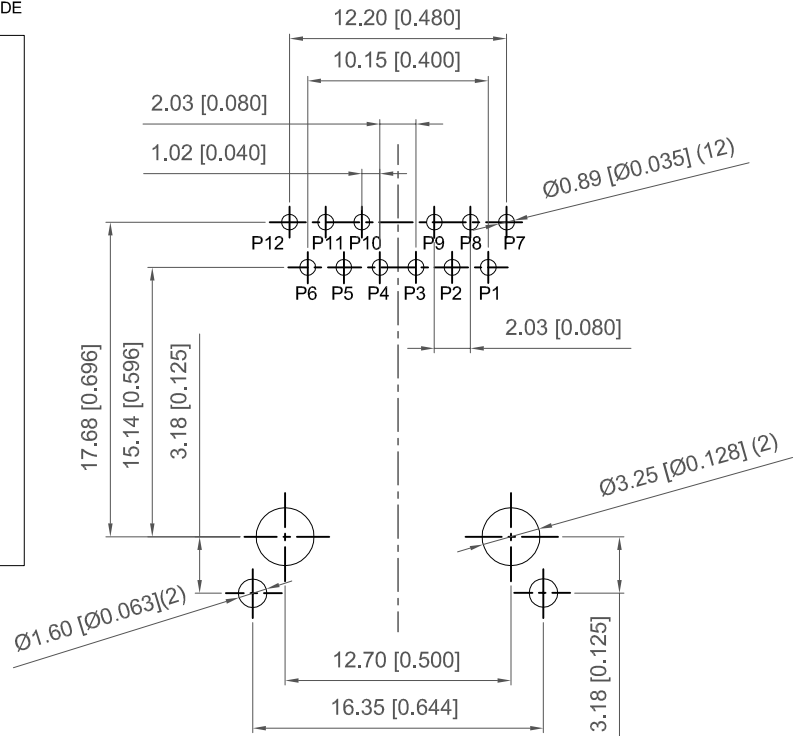
PART NO	GOLD PLATING THICKNESS
A60-112-200P471	GOLD FLASH PLATING
A60-113-200P471	15 MICRO INCHES OF GOLD
A60-114-200P471	30 MICRO INCHES OF GOLD

**10/100/1000 Mbps, Without LED, Latch-Up**  
**12P, 8C Shielded**

### 2. SCHEMATIC:

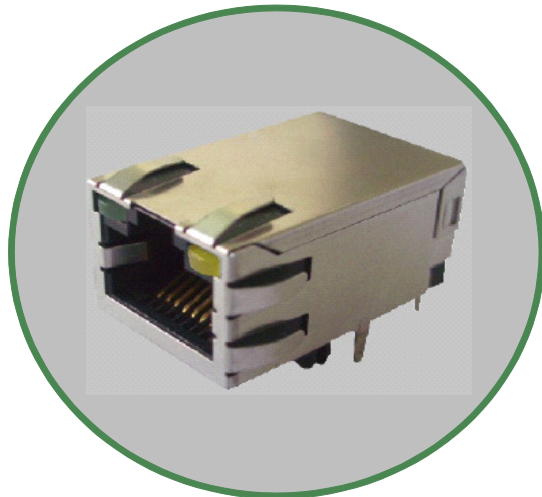


### 4. PCB LAYOUT (Top View)

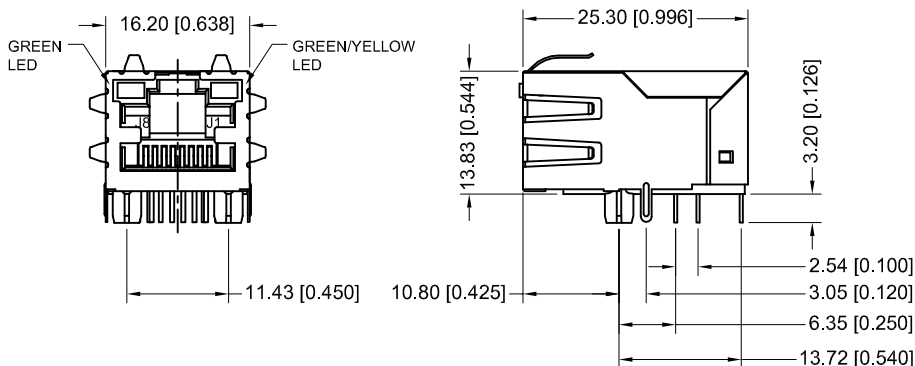


### 3. ELECTRICAL CHARACTERISTICS:

Cross Talk	Insertion Loss	Return Loss		CMRR	Isolation PHY
1MHz-100MHz	1MHz-100MHz	1MHz-40MHz	60MHz-80MHz	1MHz-100MHz	2250 VDC
-30dB (Min)	-1dB (Max)	-16dB (Min)	-10dB (Min)	-30dB (Min)	PHY Side to Line Side



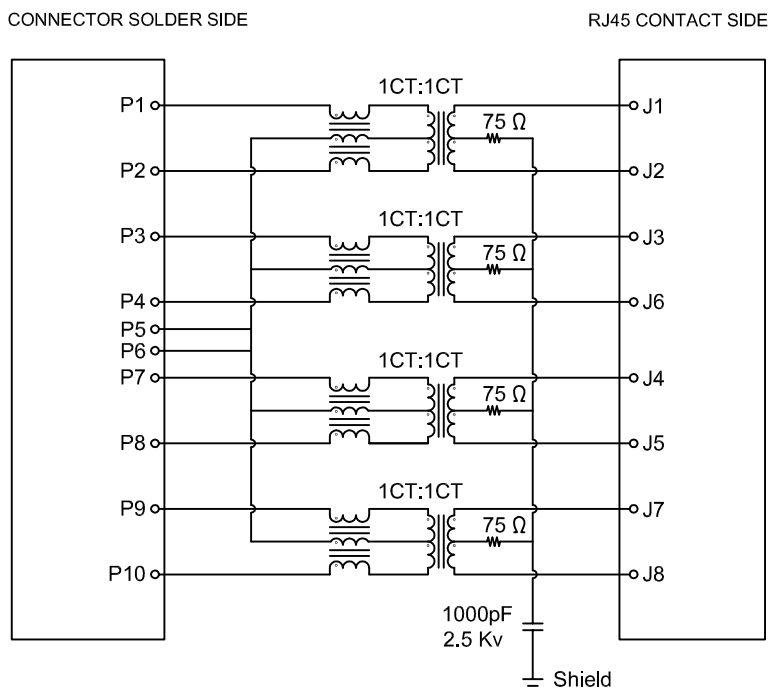
### 1. MECHANICAL DIMENSIONS:



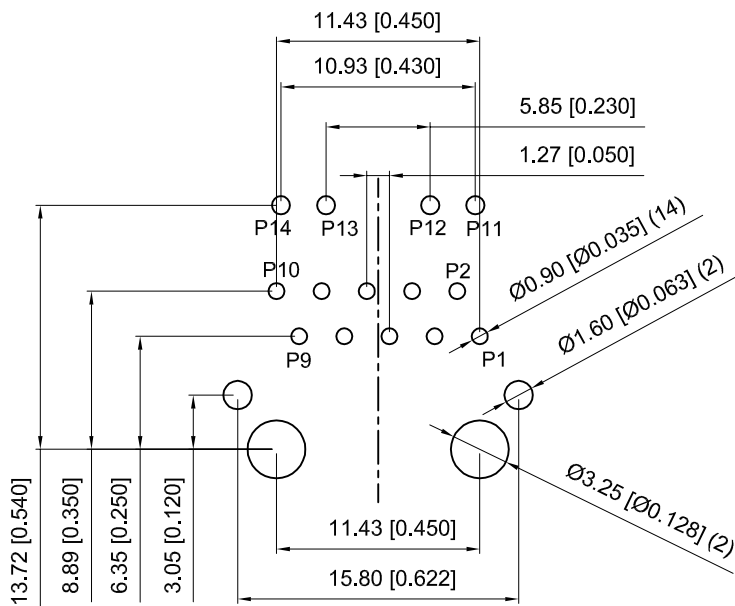
**10/100/1000 Mbps, With LED, Latch-Up**  
**10P, 8C, Shielded**

PART NO	GOLD PLATING THICKNESS
A60-112-235N414	GOLD FLASH PLATING
A60-113-235N414	15 MICRO INCHES OF GOLD
A60-114-235N414	30 MICRO INCHES OF GOLD

### 2. SCHEMATIC:



### 4. PCB LAYOUT (Top View)

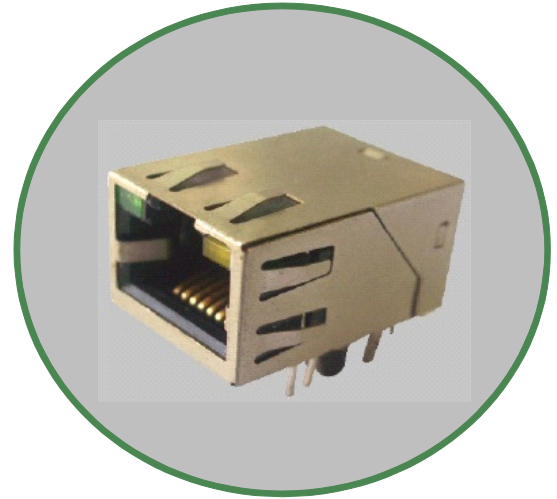
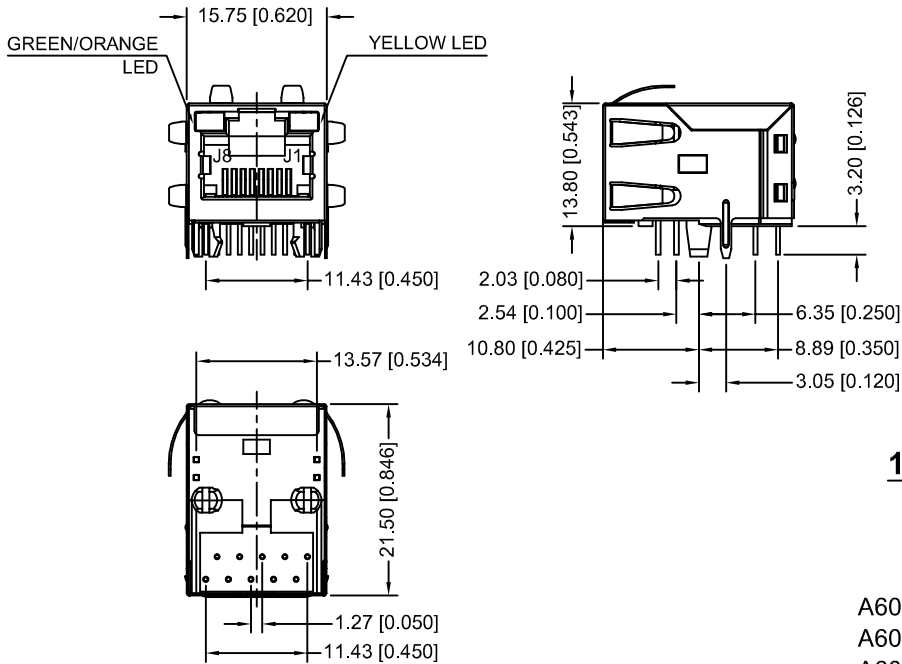


### 3. ELECTRICAL CHARACTERISTICS:

Cross Talk	Insertion Loss	Return Loss		CMRR	Isolation PHY
1MHz-100MHz	1MHz-100MHz	1MHz-40MHz	60MHz-80MHz	1MHz-100MHz	2250 VDC
-30dB (Min)	-1dB (Max)	-16dB (Min)	-10dB (Min)	-30dB (Min)	PHY Side to Line Side



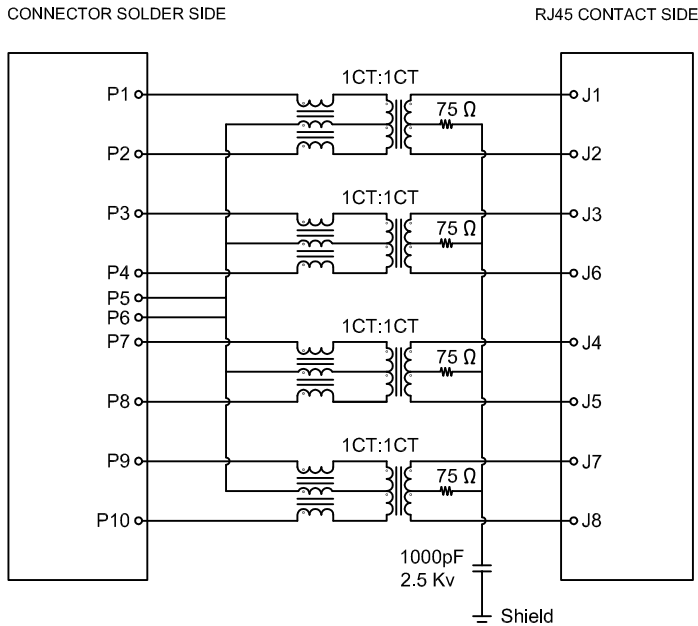
### 1. MECHANICAL DIMENSIONS:



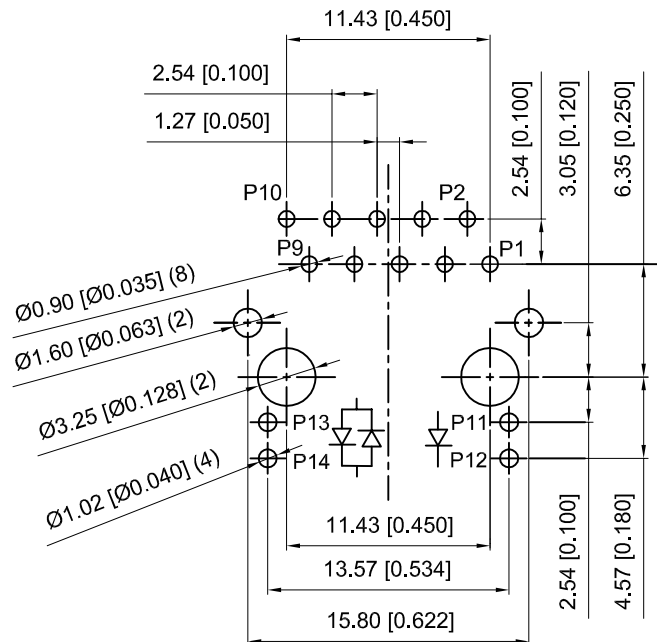
### 10/100/1000 Mbps, With LED, Latch-Up 10P, 8C, Shielded

PART NO	GOLD PLATING THICKNESS
A60-112-271N414	GOLD FLASH PLATING
A60-113-271N414	15 MICRO INCHES OF GOLD
A60-114-271N414	30 MICRO INCHES OF GOLD

### 2. SCHEMATIC:



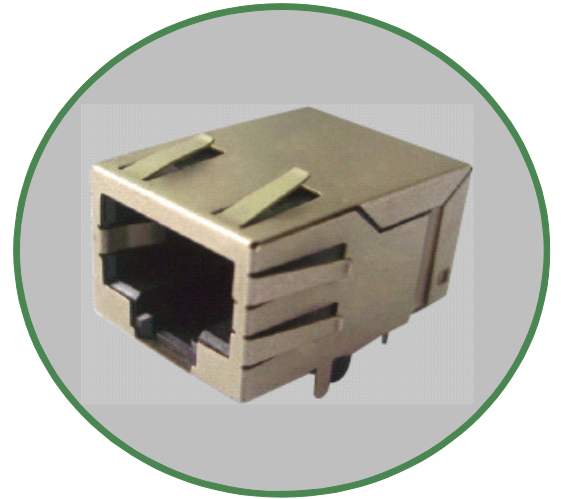
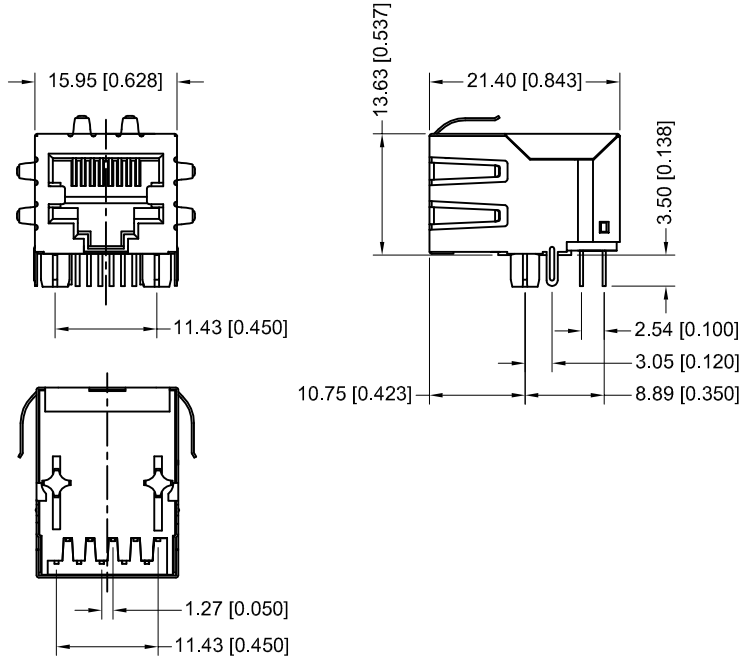
### 4. PCB LAYOUT (Top View)



### 3. ELECTRICAL CHARACTERISTICS:

Cross Talk	Insertion Loss	Return Loss		CMRR	Isolation PHY
1MHz-100MHz	1MHz-100MHz	1MHz-40MHz	60MHz-80MHz	1MHz-100MHz	2250 VDC
-30dB (Min)	-1dB (Max)	-16dB (Min)	-10dB (Min)	-30dB (Min)	PHY Side to Line Side

### 1. MECHANICAL DIMENSIONS:

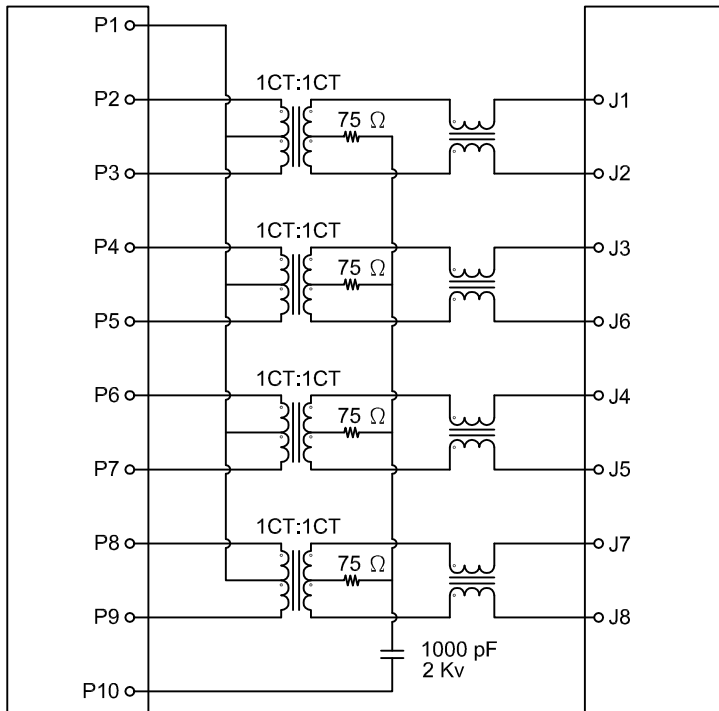


**10/100/1000 Mbps, Without LED, Latch-Down  
10P, 8C, Shielded**

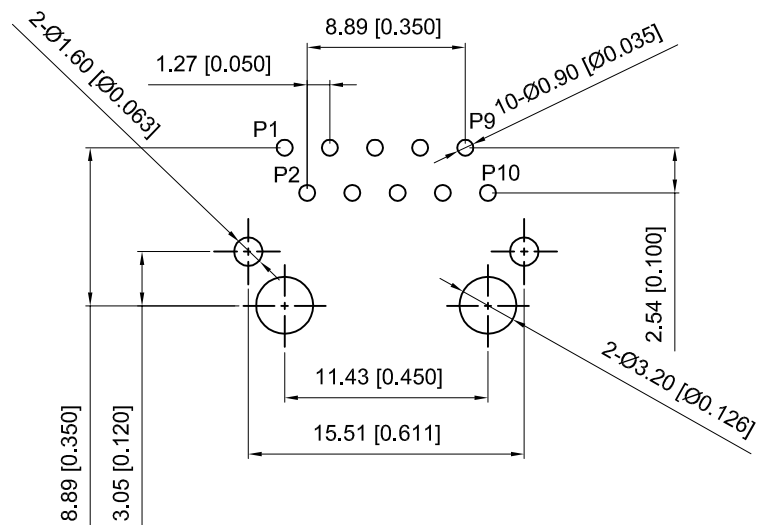
PART NO	GOLD PLATING THICKNESS
A60-112-300P432	GOLD FLASH PLATING
A60-113-300P432	15 MICRO INCHES OF GOLD
A60-114-300P432	30 MICRO INCHES OF GOLD

### 2. SCHEMATIC:

CONNECTOR SOLDER SIDE      RJ45 CONTACT SIDE



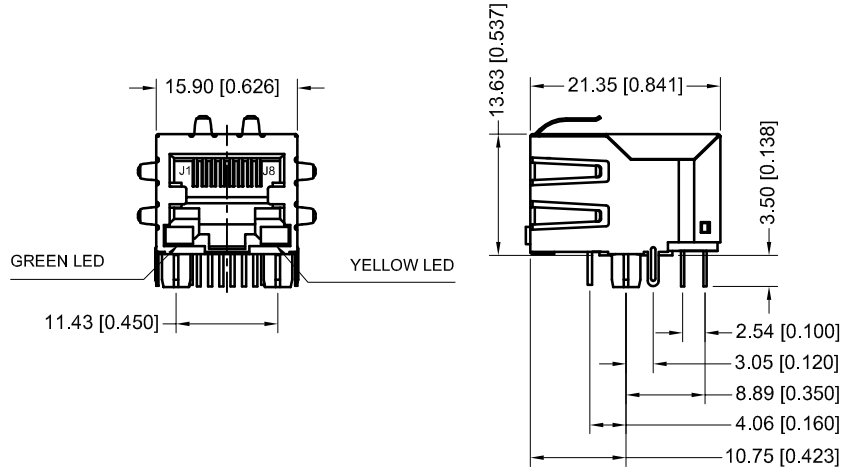
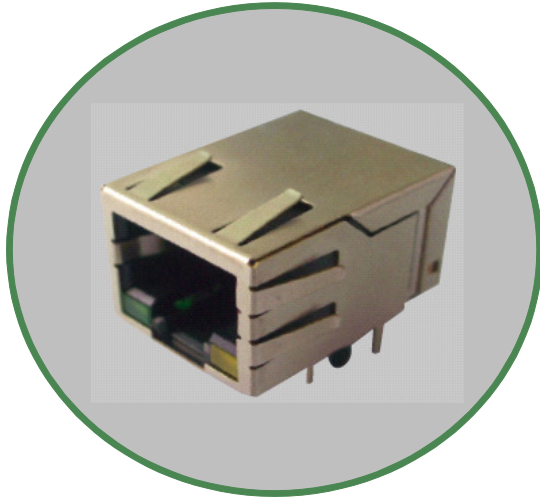
### 4. PCB LAYOUT (Top View)



### 3. ELECTRICAL CHARACTERISTICS:

Cross Talk	Insertion Loss	Return Loss	CMRR	Hi-Pot Test
1MHz-100MHz	1MHz-100MHz	1MHz-40MHz	1MHz-100MHz	1500VAC or 2250VDC
-30dB (Min)	-1dB (Max)	-16dB (Min)	-30dB (Min)	(P2,P3):(J1,J2) (P6,P7):(J4,J5) (P4,P5):(J3,J6) (P8,P9):(J7,J8)

### 1. MECHANICAL DIMENSIONS:

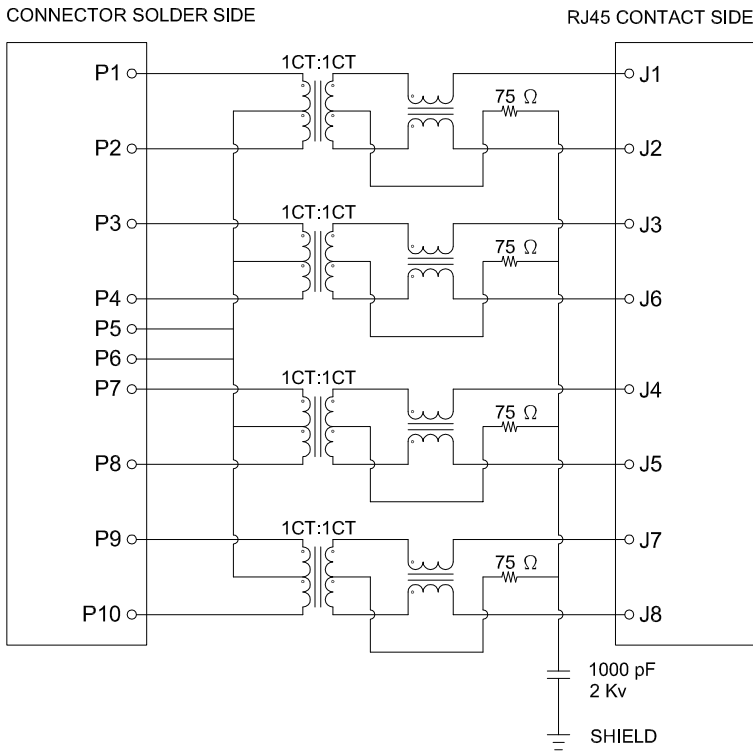


**10/100/1000 Mbps, With LED, Latch-Down  
10P, 8C, Shielded**

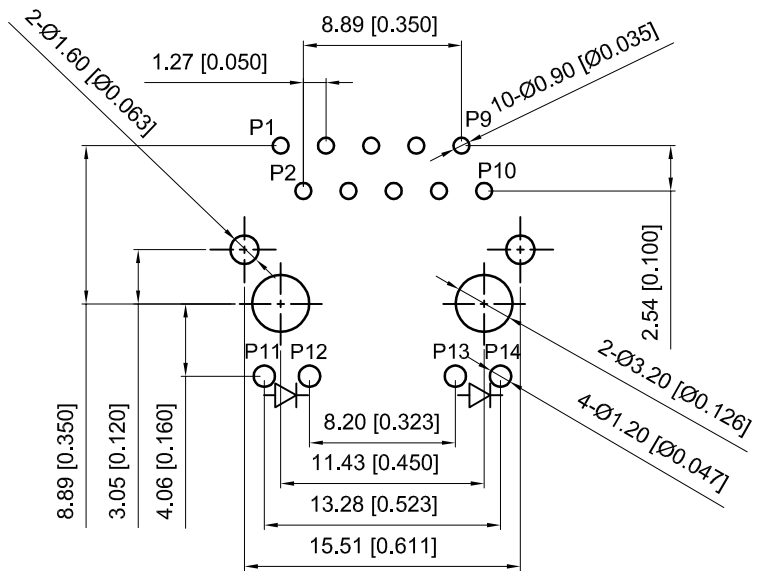
**PART NO**  
A60-112-331P411  
A60-113-331P411  
A60-114-331P411

**GOLD PLATING THICKNESS**  
GOLD FLASH PLATING  
15 MICRO INCHES OF GOLD  
30 MICRO INCHES OF GOLD

### 2. SCHEMATIC:



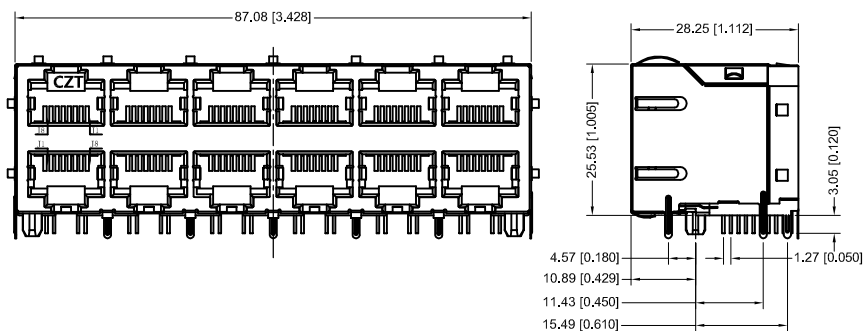
### 4. PCB LAYOUT (Top View)



### 3. ELECTRICAL CHARACTERISTICS:

Cross Talk	Insertion Loss	Return Loss	CMRR	Isolation PHY
1MHz-100MHz	1MHz-100MHz	1MHz-40MHz	60MHz-80MHz	1MHz-100MHz
-30dB (Min)	-1dB (Max)	-16dB (Min)	-10dB (Min)	-30dB (Min)
				2250 VDC
				PHY Side to Line Side

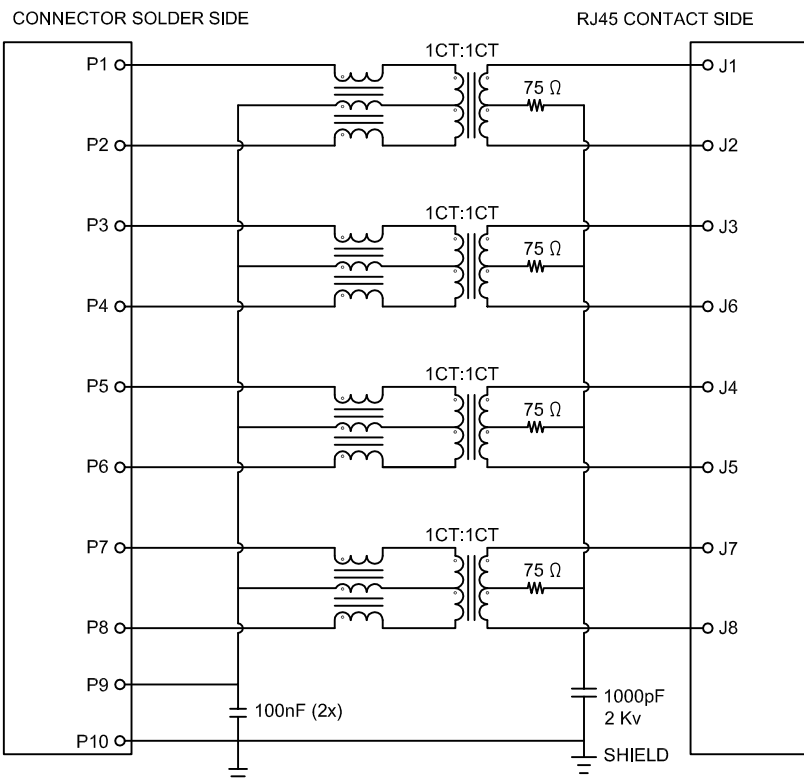
## 1. MECHANICAL DIMENSIONS:



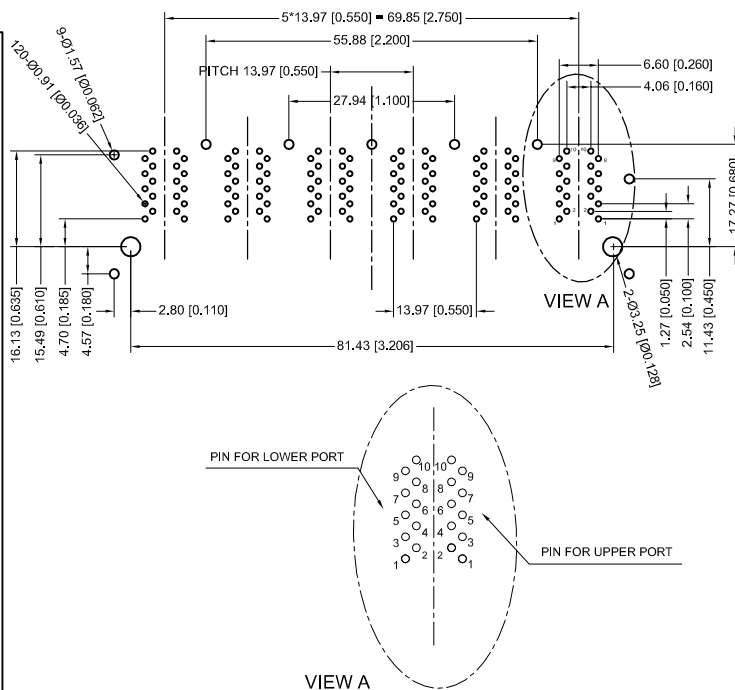
**10/100/1000 Mbps, Without LED, 2 X 6 Port**  
**10P, 8C, Shielded**

PART NO	GOLD PLATING THICKNESS
A60-262-300P562	GOLD FLASH PLATING
A60-263-300P562	15 MICRO INCHES OF GOLD
A60-264-300P562	30 MICRO INCHES OF GOLD

## 2. SCHEMATIC:



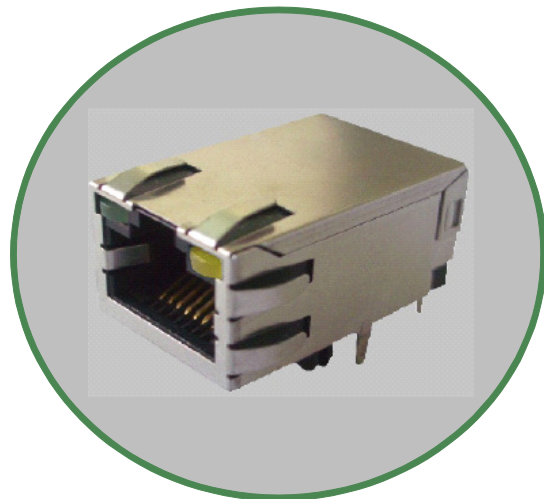
## 4. PCB LAYOUT (Top View)



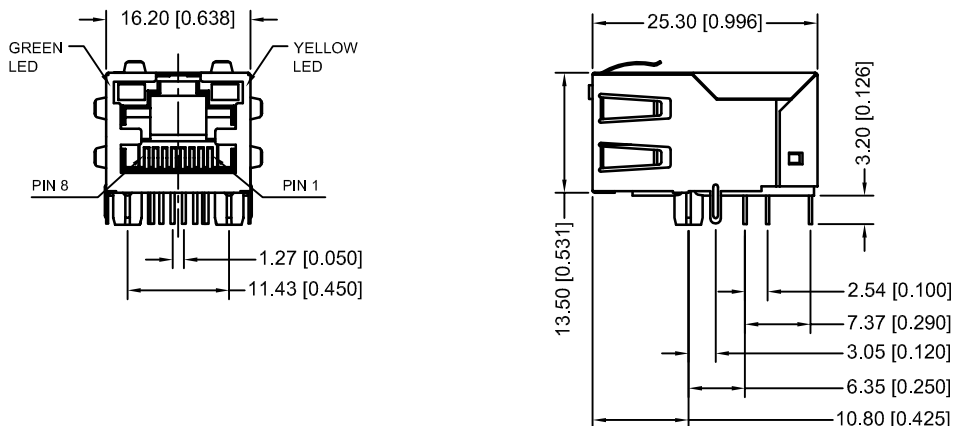
## 3. ELECTRICAL CHARACTERISTICS:

Cross Talk	Insertion Loss	Return Loss		CMRR	Hi-Pot Test	
1MHz-100MHz	1MHz-100MHz	1MHz-40MHz	60MHz-80MHz	1MHz-100MHz	1200 VAC	
-30dB (Min)	-1dB (Max)	-16dB (Min)	-10dB (Min)	-30dB (Min)	(P1,P2):(J1,J2)	(P5,P6):(J4,J5)
					(P3,P4):(J3,J6)	(P7,P8):(J7,J8)





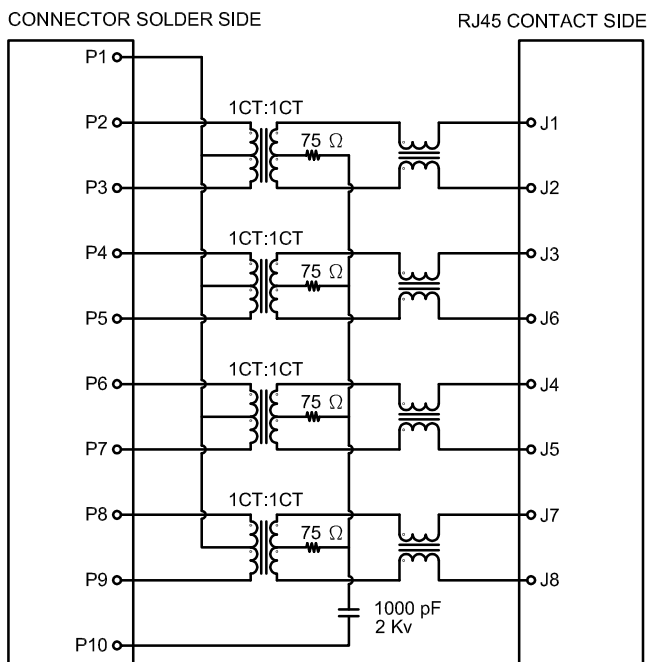
### 1. MECHANICAL DIMENSIONS:



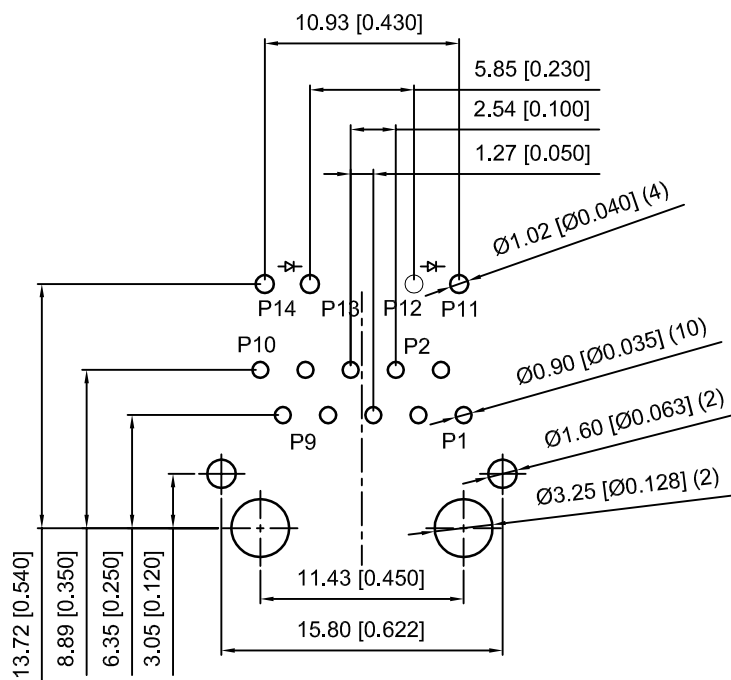
**10/100/1000 Mbps, With LED, Latch-Up**  
**10P, 8C, Shielded**

PART NO	GOLD PLATING THICKNESS
A60-112-231N432	GOLD FLASH PLATING
A60-113-231N432	15 MICRO INCHES OF GOLD
A60-114-231N432	30 MICRO INCHES OF GOLD

### 2. SCHEMATIC:



### 4. PCB LAYOUT (Top View)

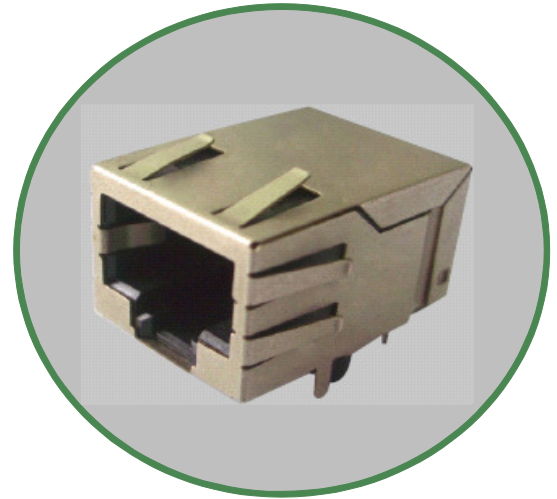
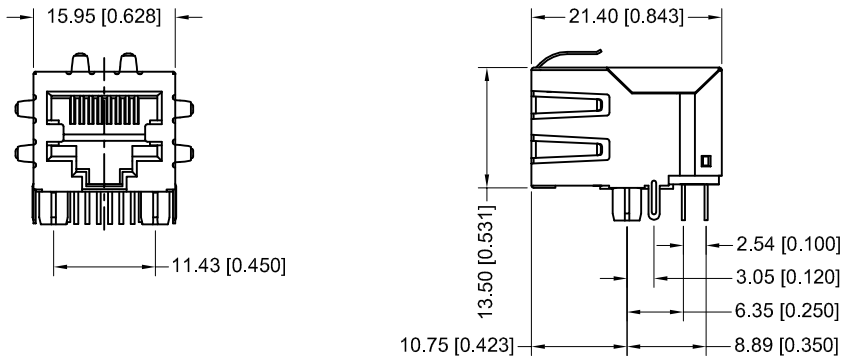


### 3. ELECTRICAL CHARACTERISTICS:

Cross Talk	Insertion Loss	Return Loss		CMRR	Hi-Pot Test
1MHz-100MHz	1MHz-100MHz	1MHz-40MHz	60MHz-80MHz	1MHz-100MHz	1500VAC or 2250VDC
-30dB (Min)	-1dB (Max)	-16dB (Min)	-10dB (Min)	-30dB (Min)	(P2,P3):(J1,J2) (P6,P7):(J4,J5) (P4,P5):(J3,J6) (P8,P9):(J7,J8)



### 1. MECHANICAL DIMENSIONS:



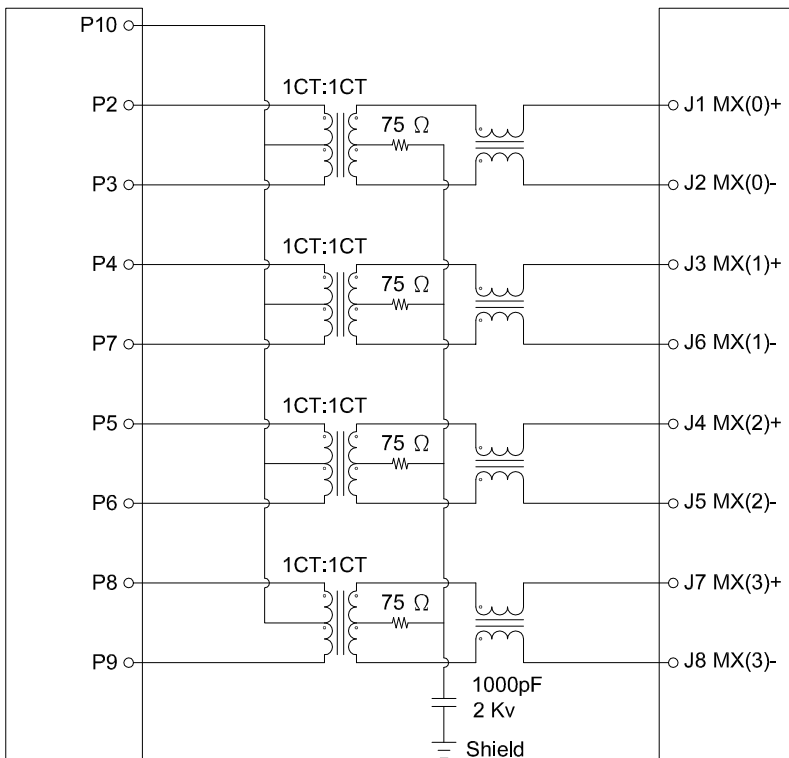
### 10/100/1000 Mbps, Without LED, Latch-Down 10P, 8C, Shielded

PART NO	GOLD PLATING THICKNESS
A60-112-300P492	GOLD FLASH PLATING
A60-113-300P492	15 MICRO INCHES OF GOLD
A60-114-300P492	30 MICRO INCHES OF GOLD

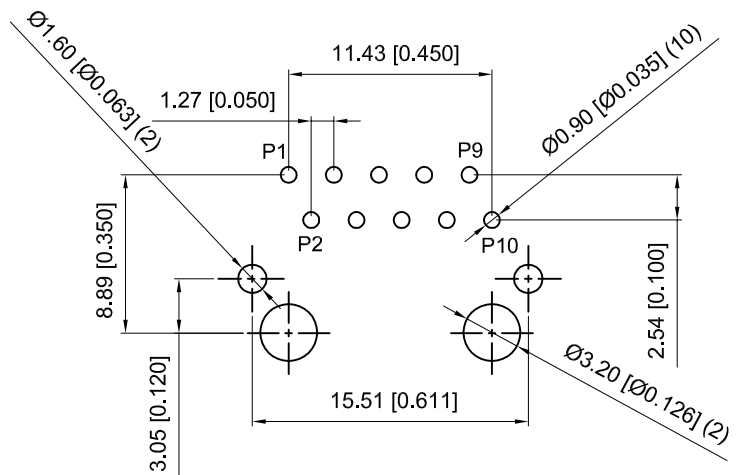
### 2. SCHEMATIC:

CONNECTOR SOLDER SIDE

RJ45 CONTACT SIDE



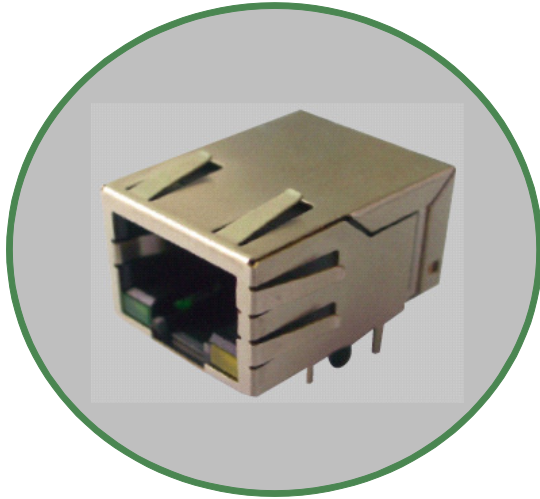
### 4. PCB LAYOUT (Top View)



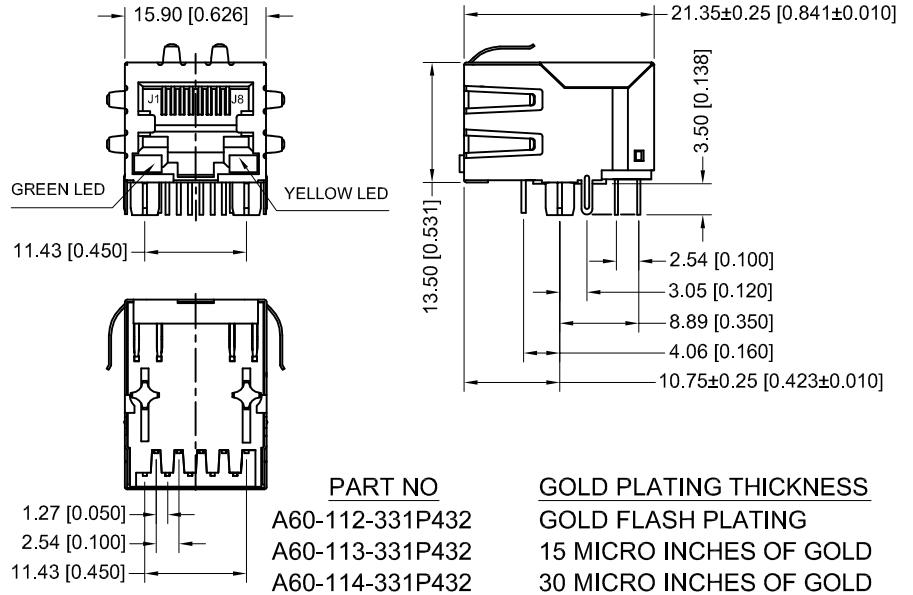
### 3. ELECTRICAL CHARACTERISTICS:

Cross Talk	Insertion Loss	Return Loss	CMRR	Hi-Pot Test
1MHz-100MHz	1MHz-100MHz	1MHz-40MHz	60MHz-80MHz	1500VAC or 2250VDC
-30dB (Min)	-1dB (Max)	-16dB (Min)	-10dB (Min)	(P2,P3):(J1,J2) (P5,P6):(J4,J5) (P4,P7):(J3,J6) (P8,P9):(J7,J8)

### 1. MECHANICAL DIMENSIONS:



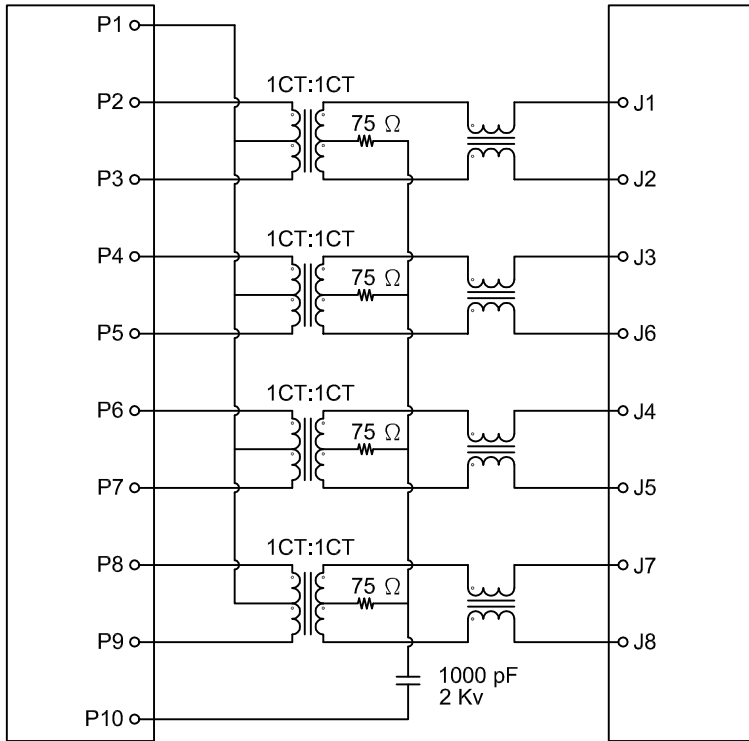
**10/100/1000 Mbps, With LED, Latch-Down  
10P, 8C, Shielded**



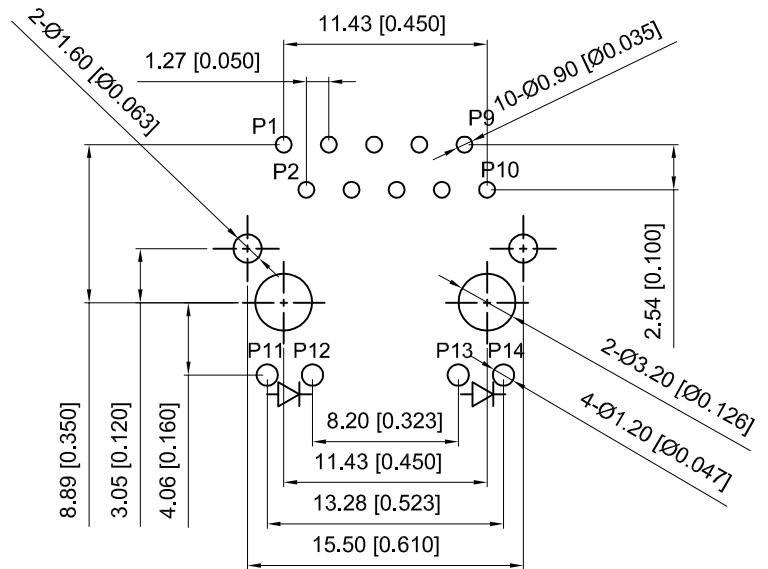
### 2. SCHEMATIC:

CONNECTOR SOLDER SIDE

RJ45 CONTACT SIDE



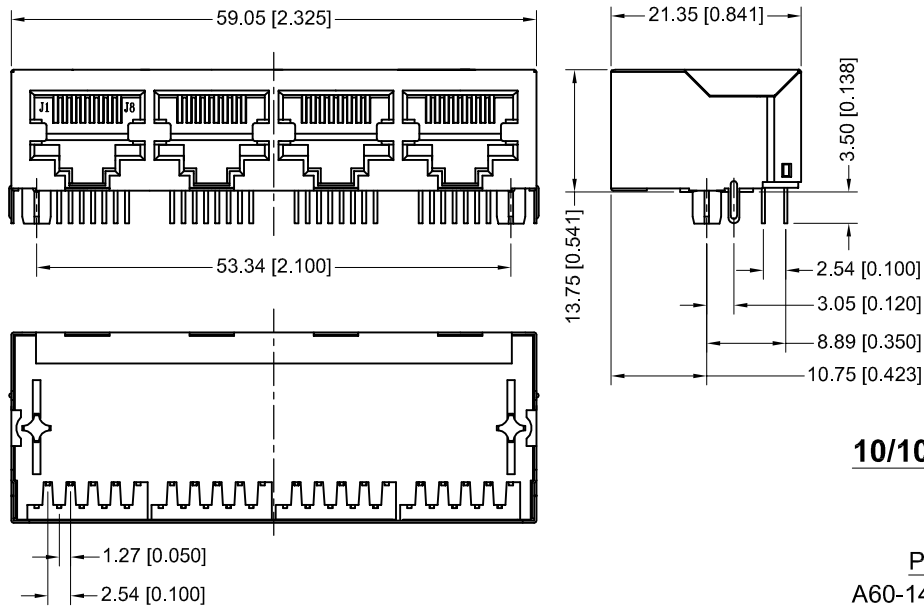
### 4. PCB LAYOUT (Top View)



### 3. ELECTRICAL CHARACTERISTICS:

Cross Talk	Insertion Loss	Return Loss		CMRR	Hi-Pot Test
1MHz-100MHz	1MHz-100MHz	1MHz-40MHz	60MHz-80MHz	1MHz-100MHz	1500VAC or 2250VDC
-30dB (Min)	-1dB (Max)	-16dB (Max)	-10dB (Max)	-30dB (Min)	(P2,P3):(J1,J2) (P6,P7):(J4,J5) (P4,P5):(J3,J6) (P8,P9):(J7,J8)

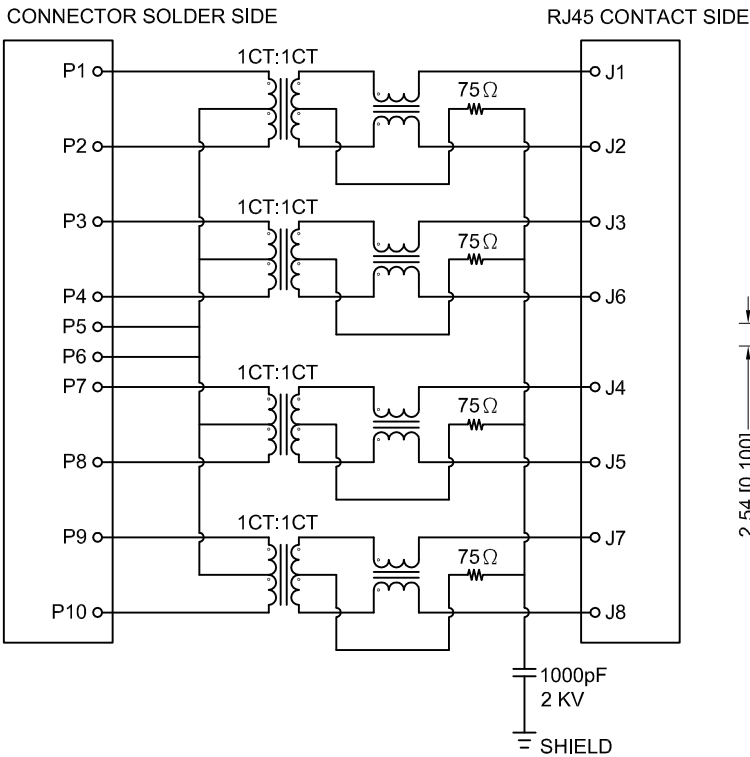
### 1. MECHANICAL DIMENSIONS:



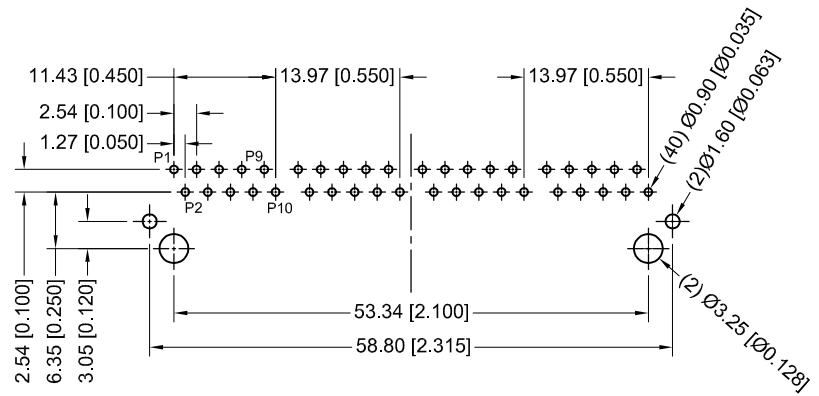
**10/100/1000 Mbps, Without LED, 1x4 Port**  
**10P, 8C, Shielded**

PART NO	GOLD PLATING THICKNESS
A60-142-300P111	GOLD FLASH PLATING
A60-143-300P111	15 MICRO INCHES OF GOLD
A60-144-300P111	30 MICRO INCHES OF GOLD

### 2. SCHEMATIC:



### 4. PCB LAYOUT (Top View)

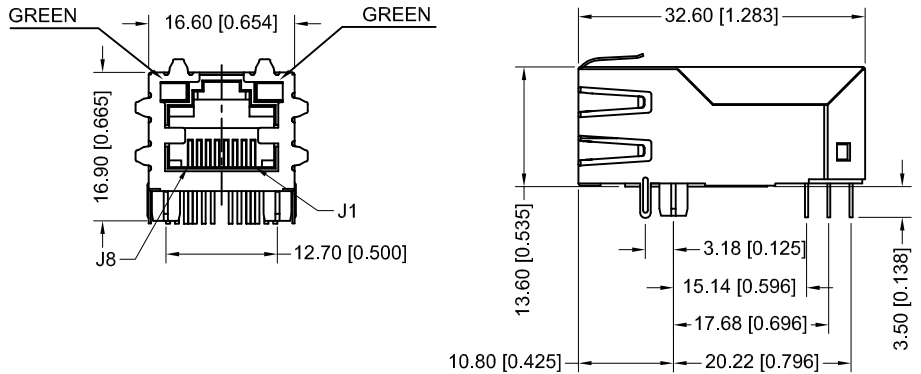


### 3. ELECTRICAL CHARACTERISTICS:

Cross Talk	Insertion Loss	Return Loss	CMRR	Hi-Pot Test
1MHz-100MHz	1MHz-100MHz	1MHz-40MHz	1MHz-100MHz	1500VAC or 2250VDC
-30dB (Max)	-1dB (Max)	-16dB (Max)	-30dB (Min)	(P1,P2):(J1,J2) (P3,P4):(J3,J6) (P7,P8):(J4,J5) (P9,P10):(J7,J8)



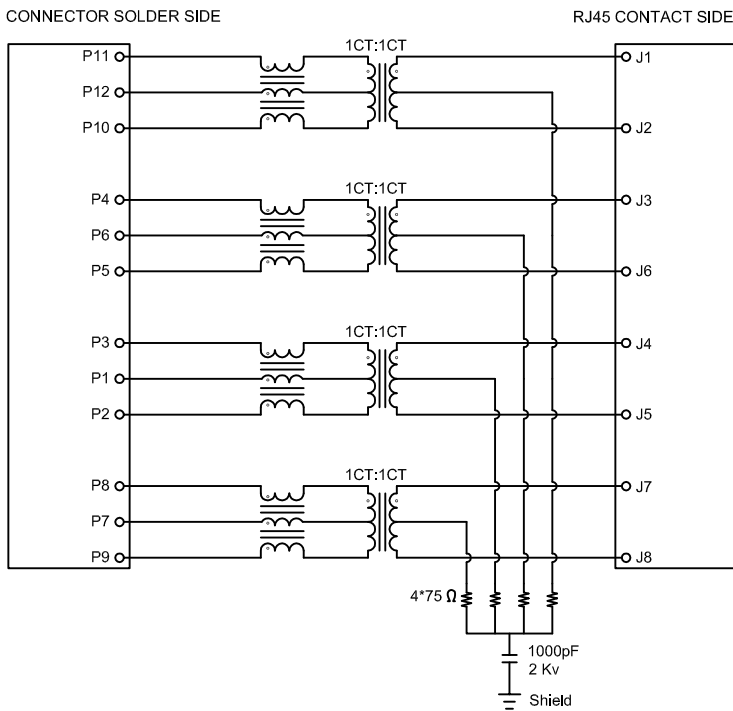
### 1. MECHANICAL DIMENSIONS:



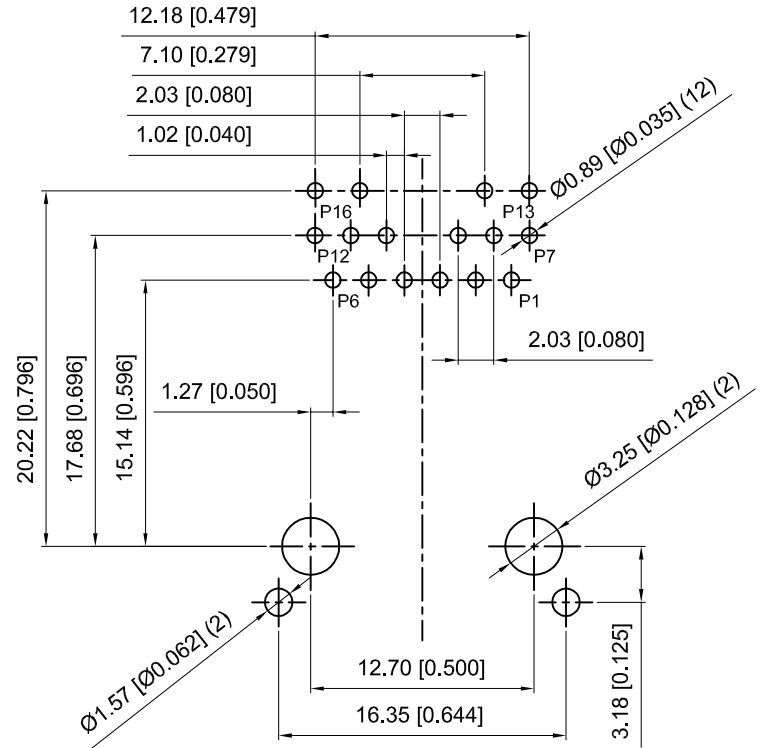
**10/100/1000 Mbps, With LED, Latch-Up,  
12P, 8C Shielded**

PART NO	GOLD PLATING THICKNESS
A60-112-233P471	GOLD FLASH PLATING
A60-113-233P471	15 MICRO INCHES OF GOLD
A60-114-233P471	30 MICRO INCHES OF GOLD

### 2. SCHEMATIC:



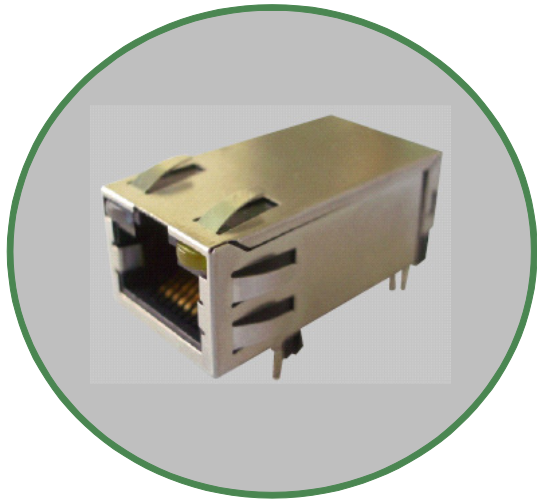
### 4. PCB LAYOUT (Top View)



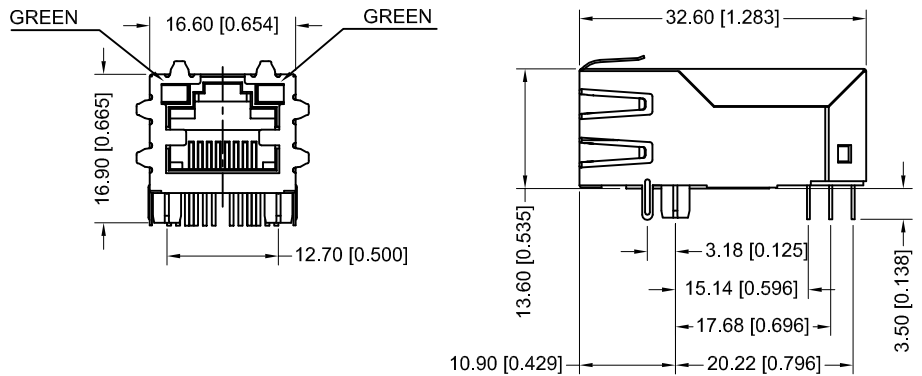
### 3. ELECTRICAL CHARACTERISTICS:

Cross Talk	Insertion Loss	Return Loss		CMRR	Isolation PHY
1MHz-100MHz	1MHz-100MHz	1MHz-40MHz	60MHz-80MHz	1MHz-100MHz	2250 VDC
-30dB (Min)	-1dB (Max)	-16dB (Min)	-10dB (Min)	-30dB (Min)	PHY Side to Line Side





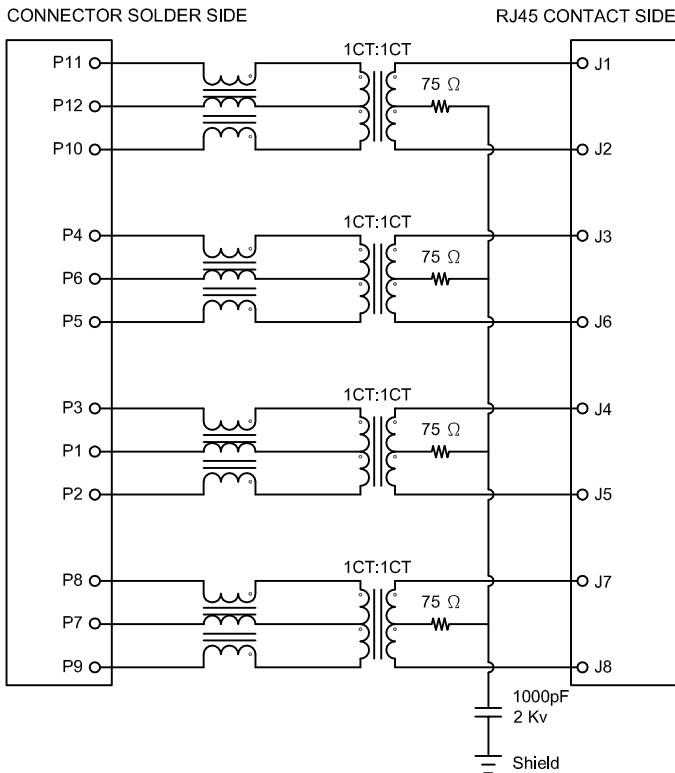
### 1. MECHANICAL DIMENSIONS:



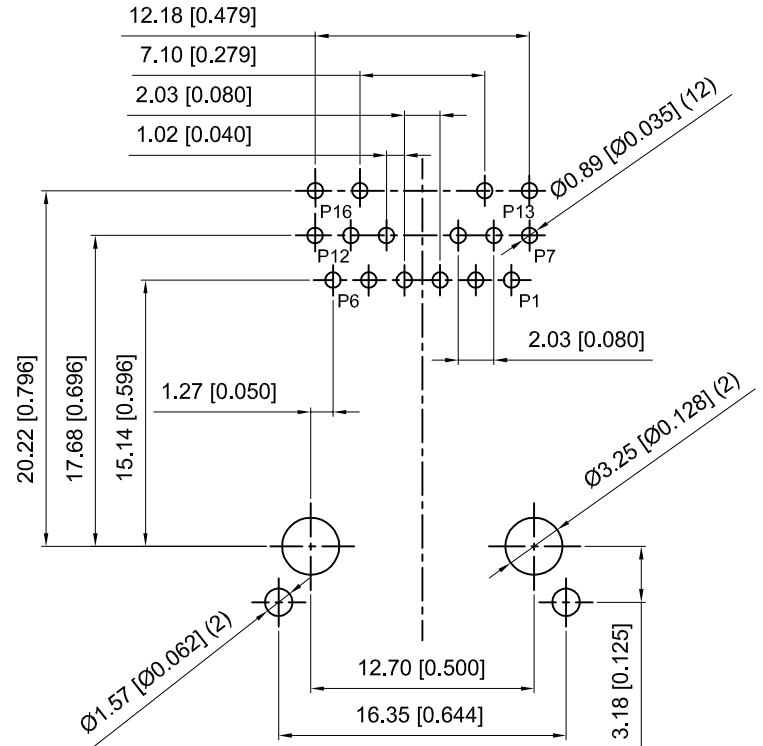
**10/100/1000 Mbps - 12 Core, With LED,  
Latch-Up, 12P, 8C Shielded**

PART NO	GOLD PLATING THICKNESS
A61-112-233P4C3	GOLD FLASH PLATING
A61-113-233P4C3	15 MICRO INCHES OF GOLD
A61-114-233P4C3	30 MICRO INCHES OF GOLD

### 2. SCHEMATIC:



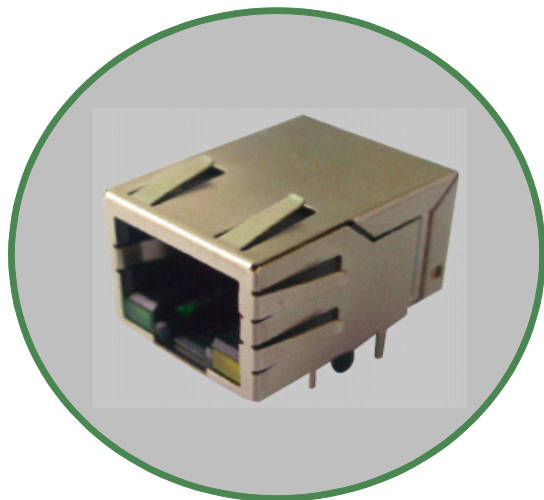
### 4. PCB LAYOUT (Top View)



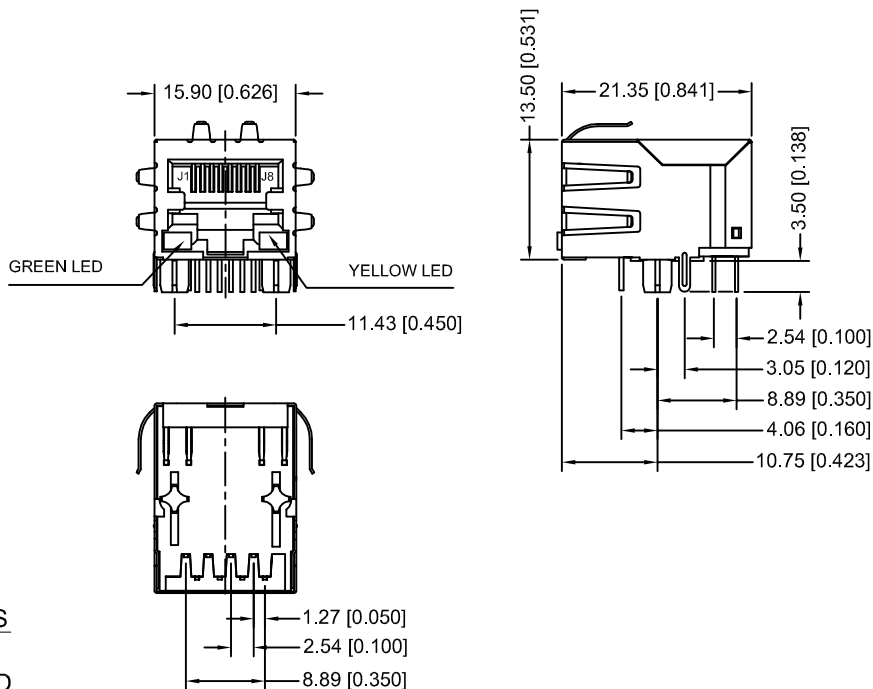
### 3. ELECTRICAL CHARACTERISTICS:

Cross Talk	Insertion Loss	Return Loss		CMRR	Hi-Pot Test	
1MHz-100MHz	1MHz-100MHz	1MHz-40MHz	60MHz-80MHz	1MHz-100MHz	1500VAC or 2250VDC	
-30dB (Min)	-1dB (Max)	-16dB (Min)	-10dB (Min)	-30dB (Min)	(P11,P10):(J1,J2) (P4,P5):(J3,J6)	(P3,P2):(J4,J5) (P8,P9):(J7,J8)

## 1. MECHANICAL DIMENSIONS:

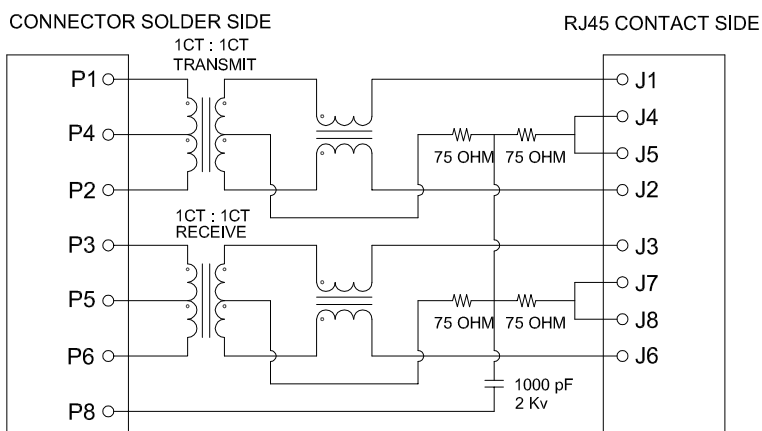


**10/100 Mbps, With LED, Latch-Down  
8P, 8C, Shielded**



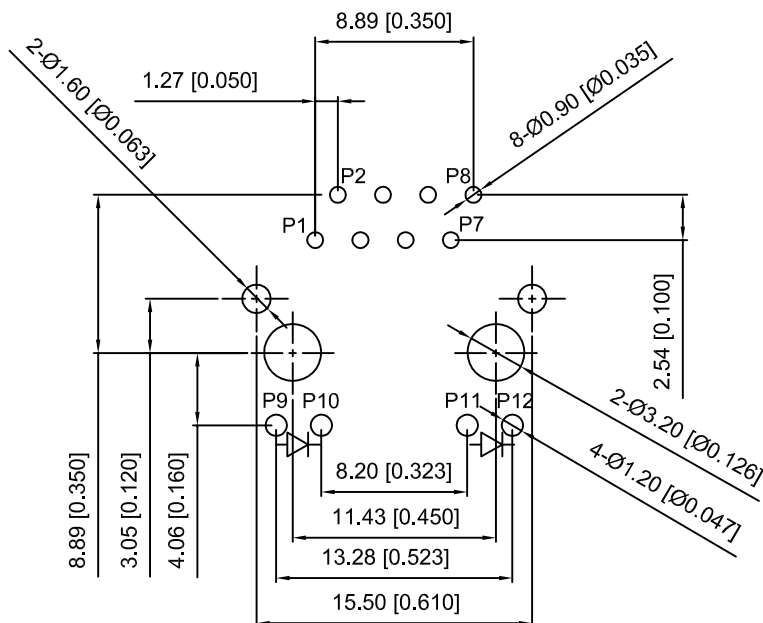
PART NO	GOLD PLATING THICKNESS
A63-112-331P422	GOLD FLASH PLATING
A63-113-331P422	15 MICRO INCHES OF GOLD
A63-114-331P422	30 MICRO INCHES OF GOLD

## 2. SCHEMATIC:



## 3. ELECTRICAL CHARACTERISTICS:

## 4. PCB LAYOUT (Top View)

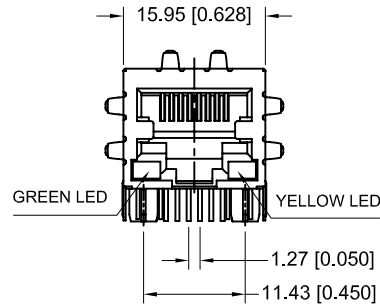


Cross Talk	Insertion Loss	Return Loss		CMRR	Hi-Pot Test
1MHz-100MHz	0.1MHz-100MHz	1MHz-30MHz	60MHz-80MHz	30MHz-100MHz	1500VAC or 2250VDC
-35dB (Typ)	-1.2dB (Max)	-18dB (Min)	-12dB (Min)	-30dB (Typ)	(P1,P2): (P3,P6): (J1,J2) (J3,J6)

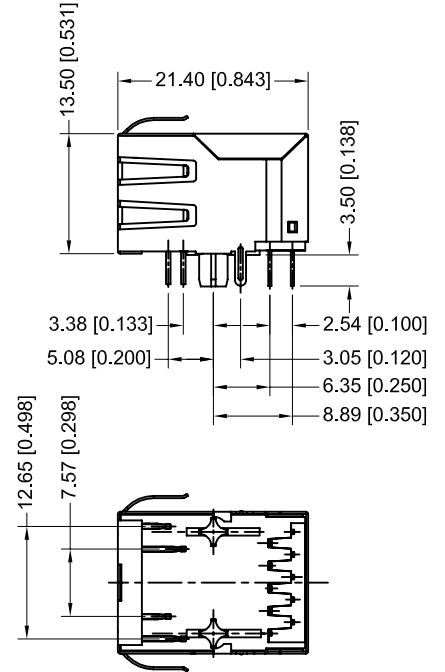


**PART NO**  
 A63-112-331P4D2  
 A63-113-331P4D2  
 A63-114-331P4D2

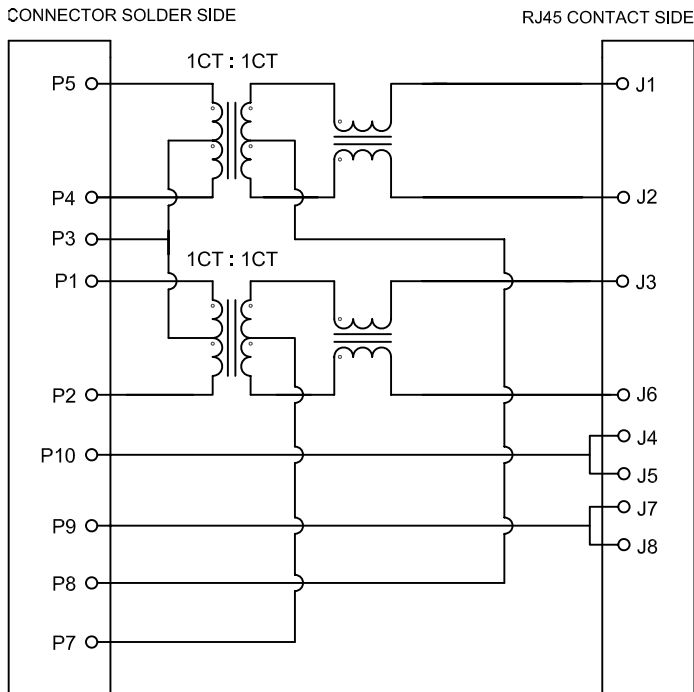
**10/100 Mbps, With LED, Latch-Down**  
**10P, 8C, Shielded**



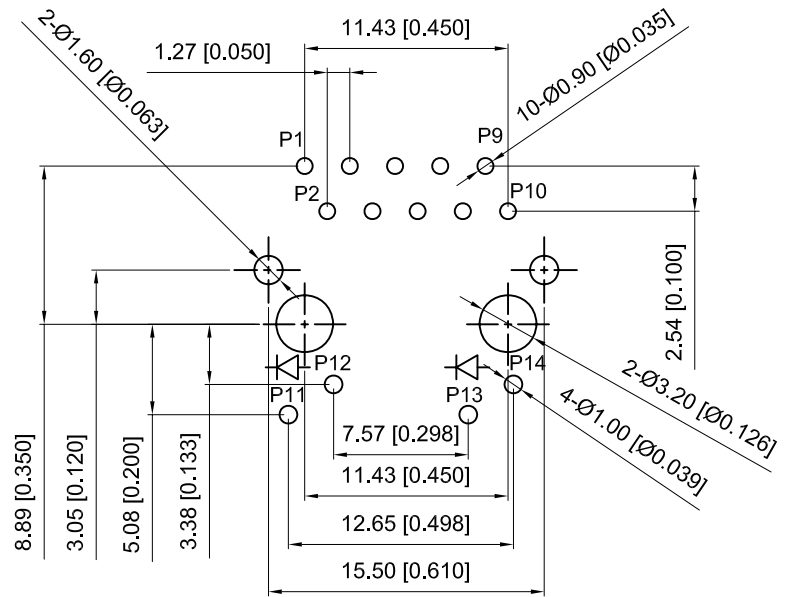
**GOLD PLATING THICKNESS**  
**GOLD FLASH PLATING**  
 15 MICRO INCHES OF GOLD  
 30 MICRO INCHES OF GOLD



**2. SCHEMATIC:**



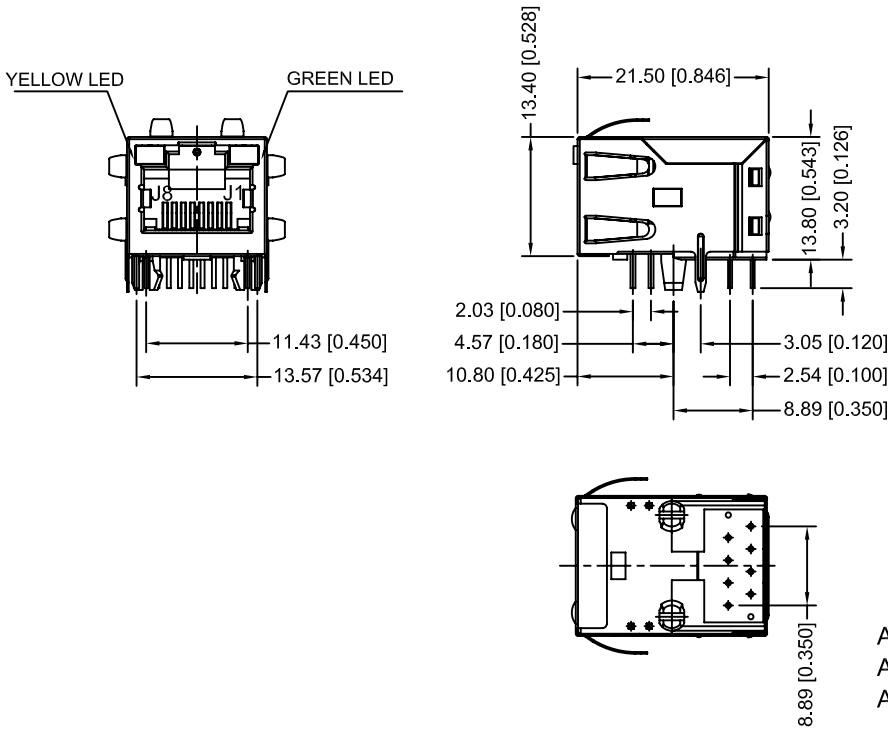
**4. PCB LAYOUT (Top View)**



**3. ELECTRICAL CHARACTERISTICS:**

Cross Talk	Insertion Loss	Return Loss		CMRR	Hi-Pot Test	
1MHz-100MHz	0.1MHz-100MHz	1MHz-30MHz	60MHz-80MHz	30MHz-100MHz	1500VAC or 2250VDC	
-35dB (Typ)	-1.2dB (Max)	-18dB (Min)	-12dB (Min)	-30dB (Typ)	(P5,P4): (J1,J2)	(P1,P2): (J3,J6)

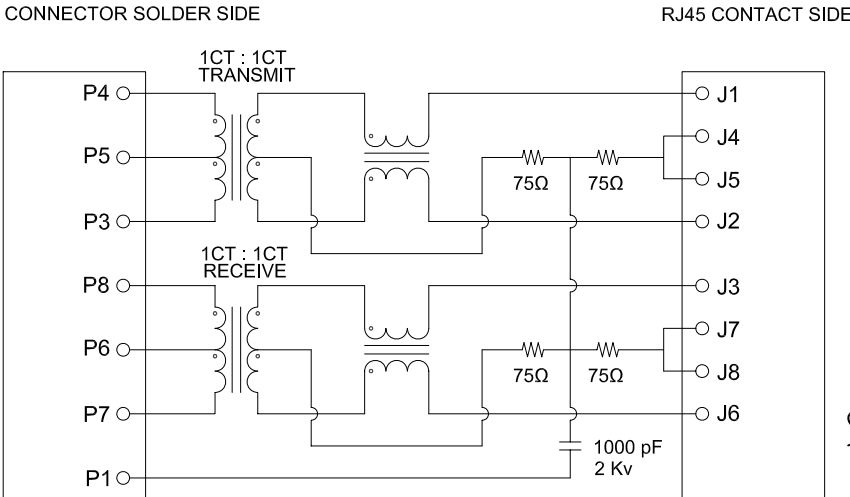
### 1. MECHANICAL DIMENSIONS:



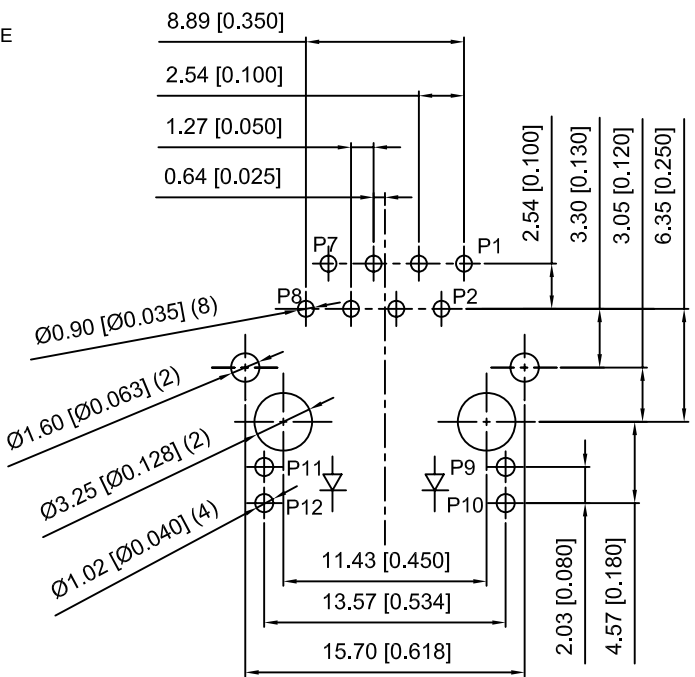
### 10/100Mbps, With LED, Latch-Up 8P, 8C, Shielded

PART NO	GOLD PLATING THICKNESS
A63-112-213N491	GOLD FLASH PLATING
A63-113-213N491	15 MICRO INCHES OF GOLD
A63-114-213N491	30 MICRO INCHES OF GOLD

### 2. SCHEMATIC:



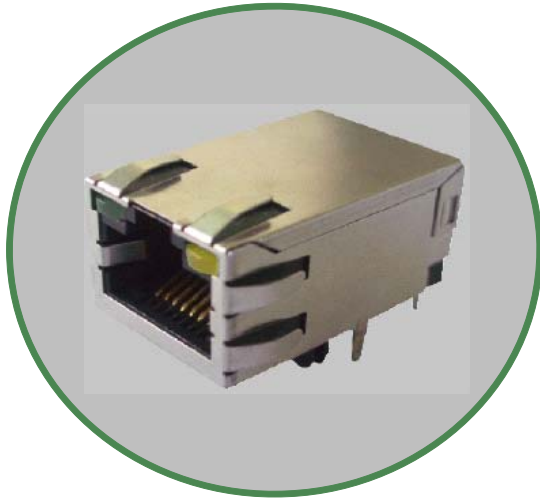
### 4. PCB LAYOUT (Top View)



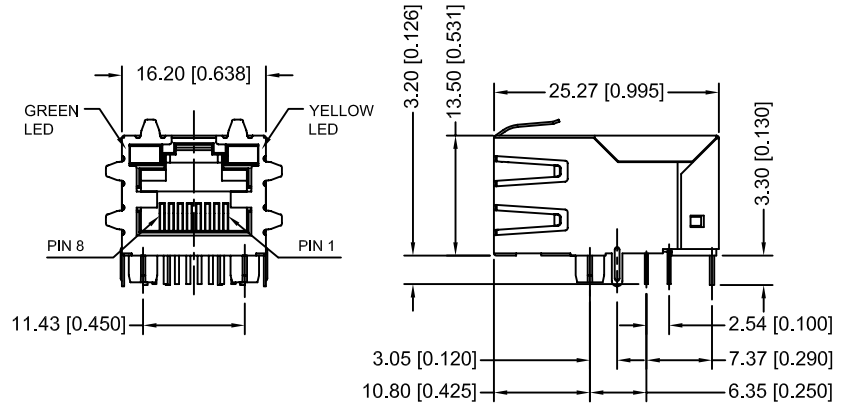
### 3. ELECTRICAL CHARACTERISTICS:

Cross Talk	Insertion Loss	Return Loss		CMRR	Hi-Pot Test	
1MHz-100MHz	0.1MHz-100MHz	1MHz-30MHz	60MHz-80MHz	30MHz-100MHz	1500VAC or 2250VDC	
-35dB (Typ)	-1.2dB (Max)	-18dB (Min)	-12dB (Min)	-30dB (Typ)	(P4,P3): (J1,J2)	(P8,P7): (J3,J6)





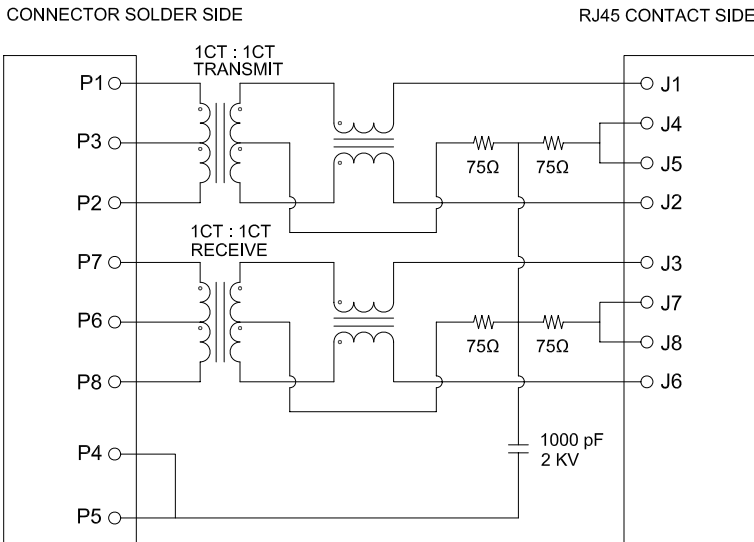
### 1. MECHANICAL DIMENSIONS:



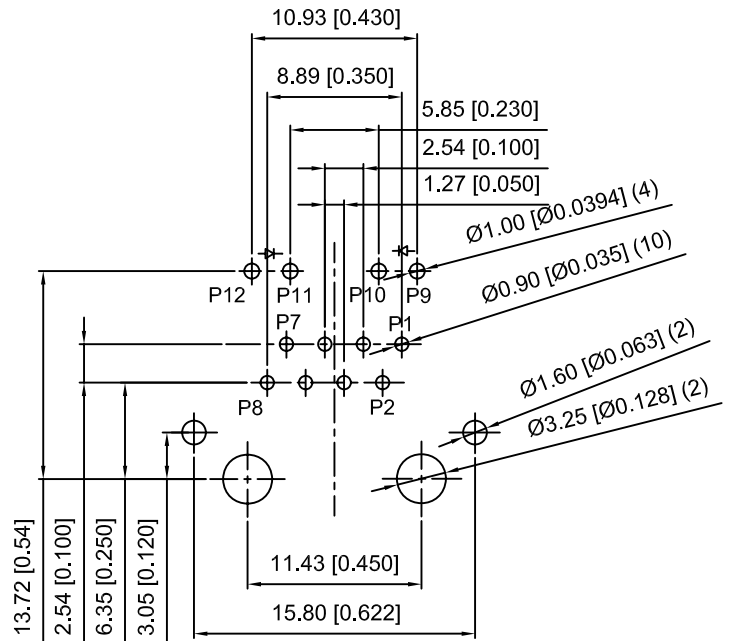
**10/100 Mbps, With LED, Latch-Up  
8P, 8C, Shielded**

PART NO	GOLD PLATING THICKNESS
A63-112-231N435	GOLD FLASH PLATING
A63-113-231N435	15 MICRO INCHES OF GOLD
A63-114-231N435	30 MICRO INCHES OF GOLD

### 2. SCHEMATIC:



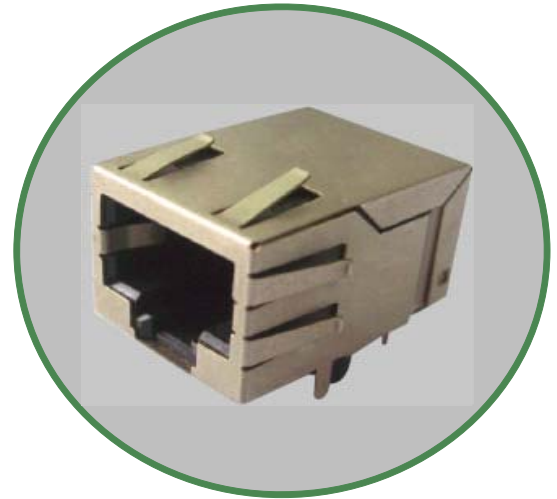
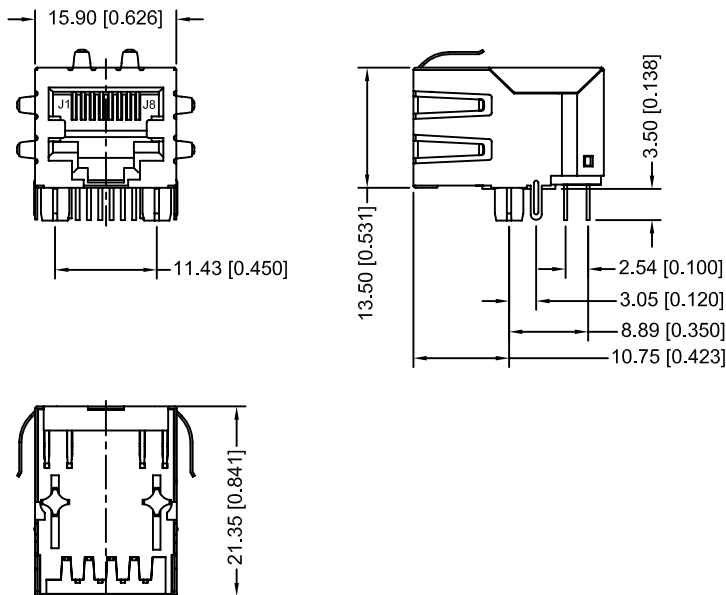
### 4. PCB LAYOUT (Top View)



### 3. ELECTRICAL CHARACTERISTICS:

Cross Talk	Insertion Loss	Return Loss		CMRR	Hi-Pot Test
1MHz-100MHz	0.1MHz-100MHz	1MHz-30MHz	60MHz-80MHz	1MHz-100MHz	1500VAC or 2250VDC
-35dB (Typ)	-1.2dB (Max)	-18dB (Min)	-12dB (Min)	-30dB (Typ)	(P1,P2): (P7,P8): (J1,J2) (J3,J6)

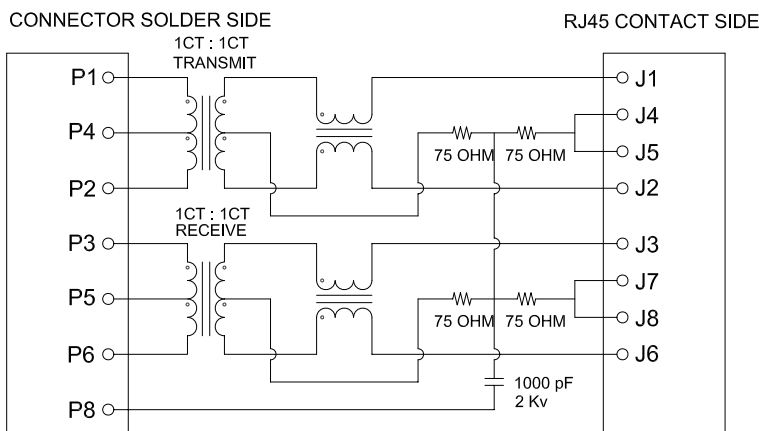
### 1. MECHANICAL DIMENSIONS:



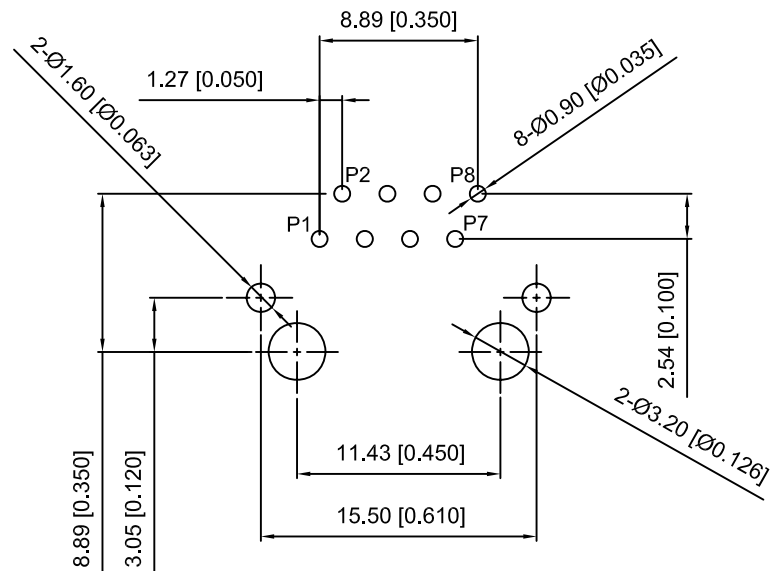
### 10/100 Mbps, Without LED, Latch-Down 8P, 8C, Shielded

PART NO	GOLD PLATING THICKNESS
A63-112-300P422	GOLD FLASH PLATING
A63-113-300P422	15 MICRO INCHES OF GOLD
A63-114-300P422	30 MICRO INCHES OF GOLD

### 2. SCHEMATIC:



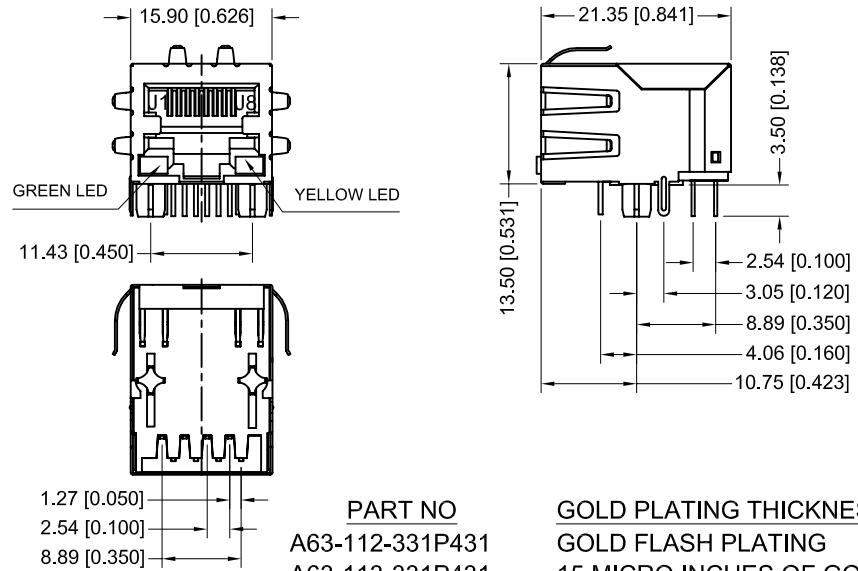
### 4. PCB LAYOUT (Top View)



### 3. ELECTRICAL CHARACTERISTICS:

Cross Talk	Insertion Loss	Return Loss		CMRR	Hi-Pot Test	
1MHz-100MHz	0.1MHz-100MHz	1MHz-30MHz	60MHz-80MHz	30MHz-100MHz	1500VAC or 2250VDC	
-35dB (Typ)	-1.2dB (Max)	-18dB (Min)	-12dB (Min)	-30dB (Typ)	(P1,P2): (J1,J2)	(P3,P6): (J3,J6)

### 1. MECHANICAL DIMENSIONS:

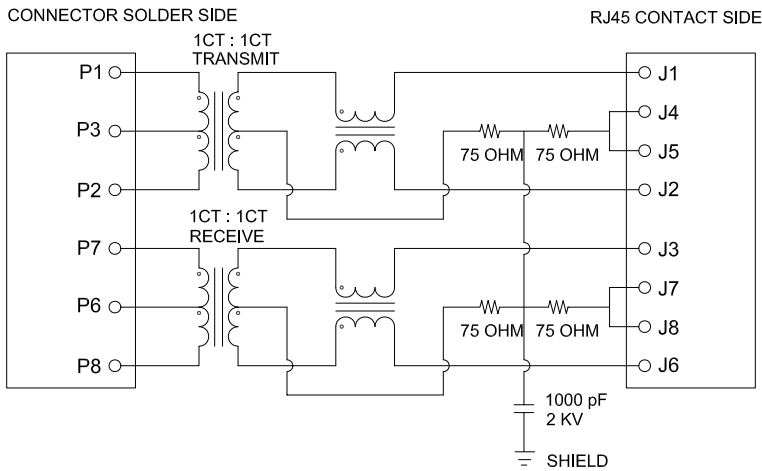


**10/100 Mbps, With LED, Latch-Down  
8P, 8C, Shielded**

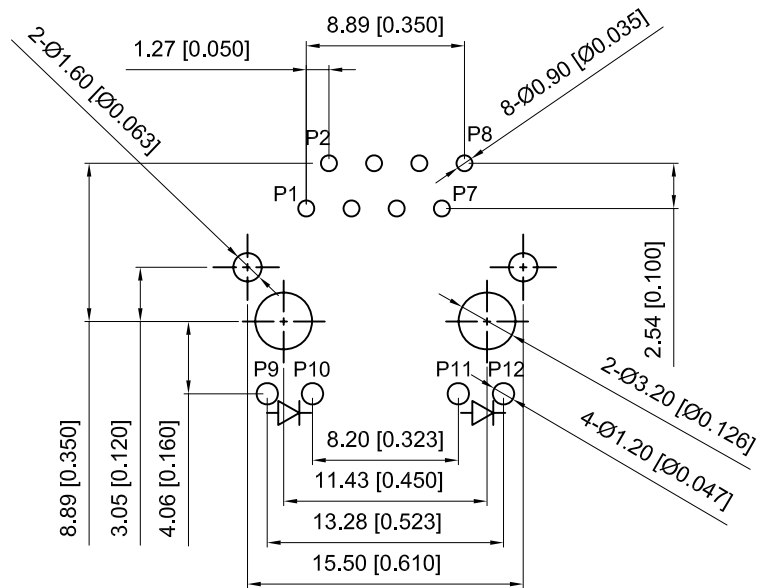
**PART NO**  
A63-112-331P431  
A63-113-331P431  
A63-114-331P431

**GOLD PLATING THICKNESS**  
GOLD FLASH PLATING  
15 MICRO INCHES OF GOLD  
30 MICRO INCHES OF GOLD

### 2. SCHEMATIC:



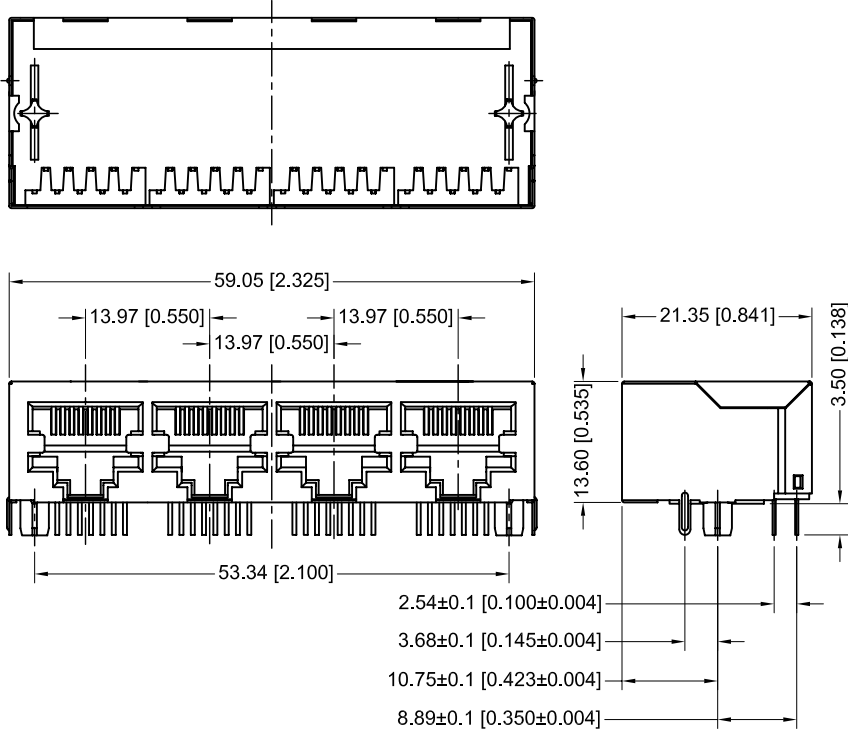
### 4. PCB LAYOUT (Top View)



### 3. ELECTRICAL CHARACTERISTICS:

Cross Talk		Insertion Loss		Return Loss		CMRR	Hi-Pot Test	
1MHz-100MHz		0.1MHz-100MHz		1MHz-30MHz	60MHz-80MHz	30MHz-100MHz	1500VAC or 2250VDC	
-35dB (Typ)		-1.2dB (Max)		-18dB (Min)	-12dB (Min)	-30dB (Typ)	(P1,P2): (J1,J2)	(P7,P8): (J3,J6)

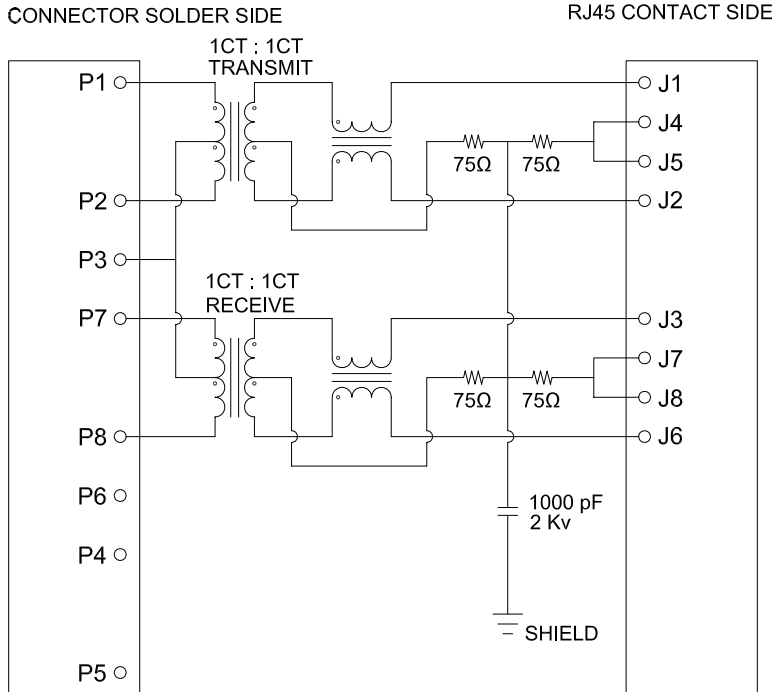
### 1. MECHANICAL DIMENSIONS:



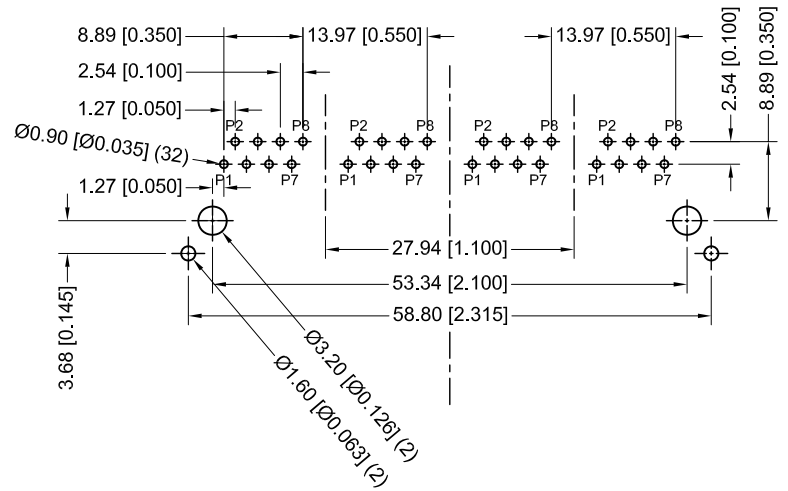
**10/100 Mbps, Without LED, Latch-Down  
 8P, 8C, Shielded**

PART NO	GOLD PLATING THICKNESS
A63-142-300N161	GOLD FLASH PLATING
A63-143-300N161	15 MICRO INCHES OF GOLD
A63-144-300N161	30 MICRO INCHES OF GOLD

### 2. SCHEMATIC:



### 4. PCB LAYOUT (Top View)

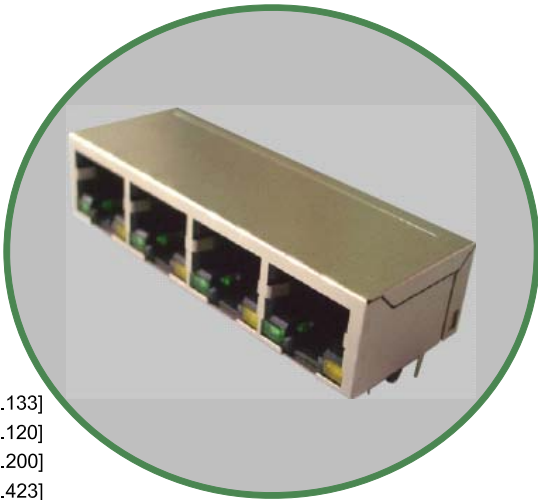
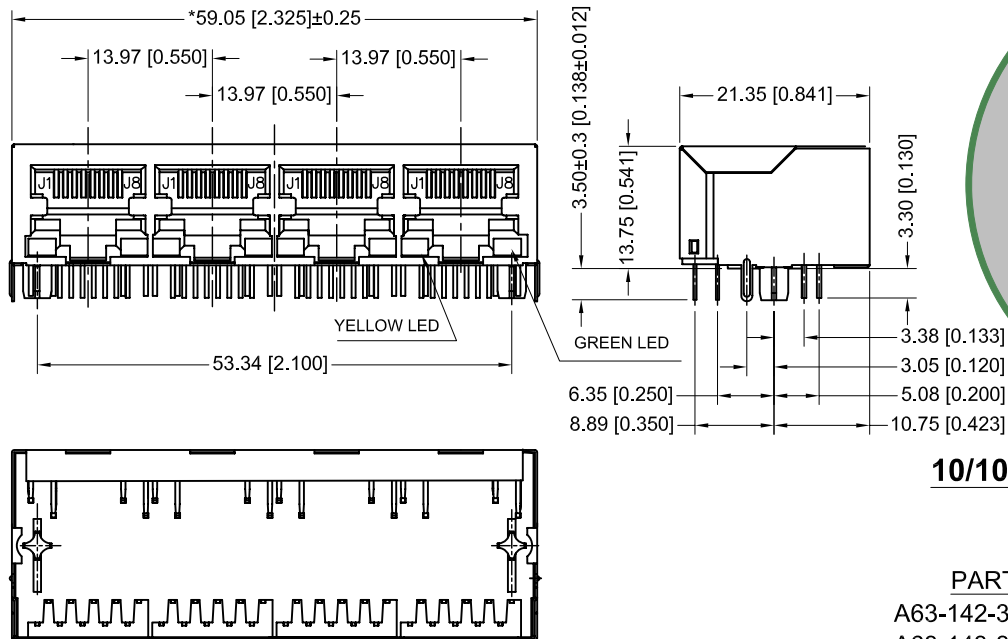


### 3. ELECTRICAL CHARACTERISTICS:

Cross Talk	Insertion Loss	Return Loss		CMRR	Hi-Pot Test	
1MHz-100MHz	0.1MHz-80MHz	1MHz-30MHz	30MHz-80MHz	30MHz-100MHz	1500VAC	
-35dB (Typ)	-1.2dB (Max)	-18dB (Min)	-12dB (Min)	-30dB (Typ)	(P1,P2): (J1,J2)	(P7,P8): (J3,J6)



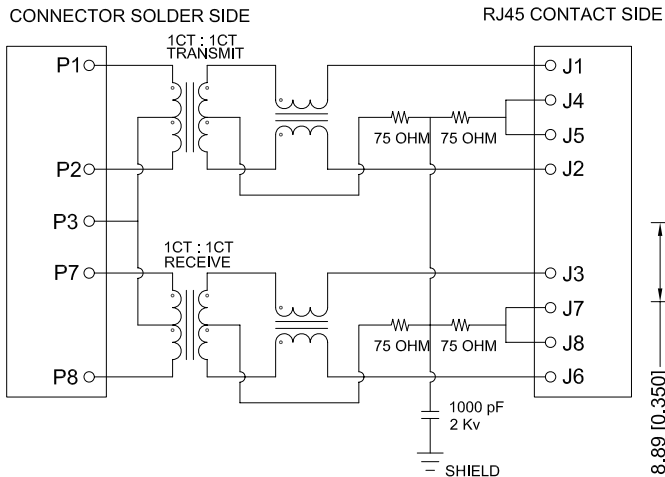
### 1. MECHANICAL DIMENSIONS:



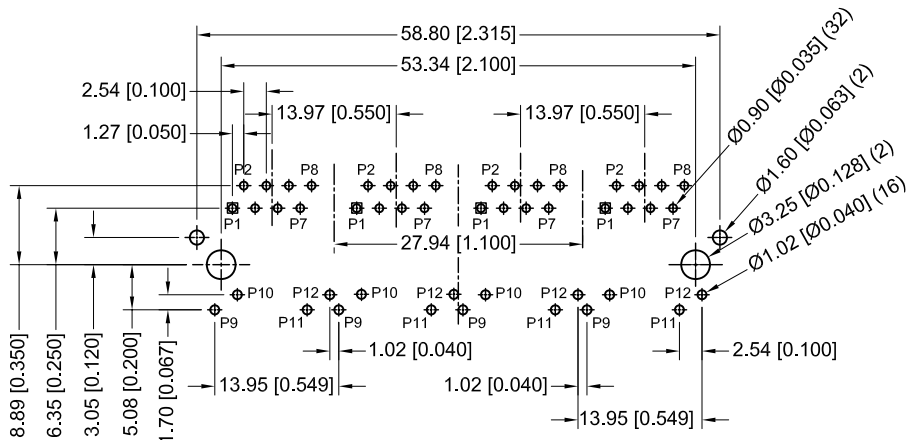
**10/100 Mbps, With LED, Latch-Down  
8P, 8C, Shielded**

PART NO	GOLD PLATING THICKNESS
A63-142-313P161	GOLD FLASH PLATING
A63-143-313P161	MICRO INCHES OF GOLD
A63-144-313P161	30 MICRO INCHES OF GOLD

### 2. SCHEMATIC:



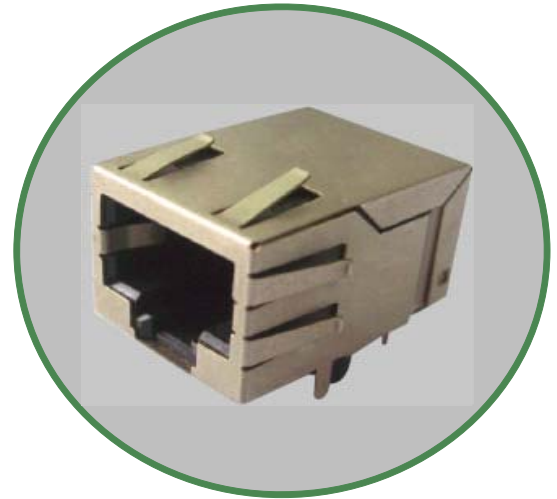
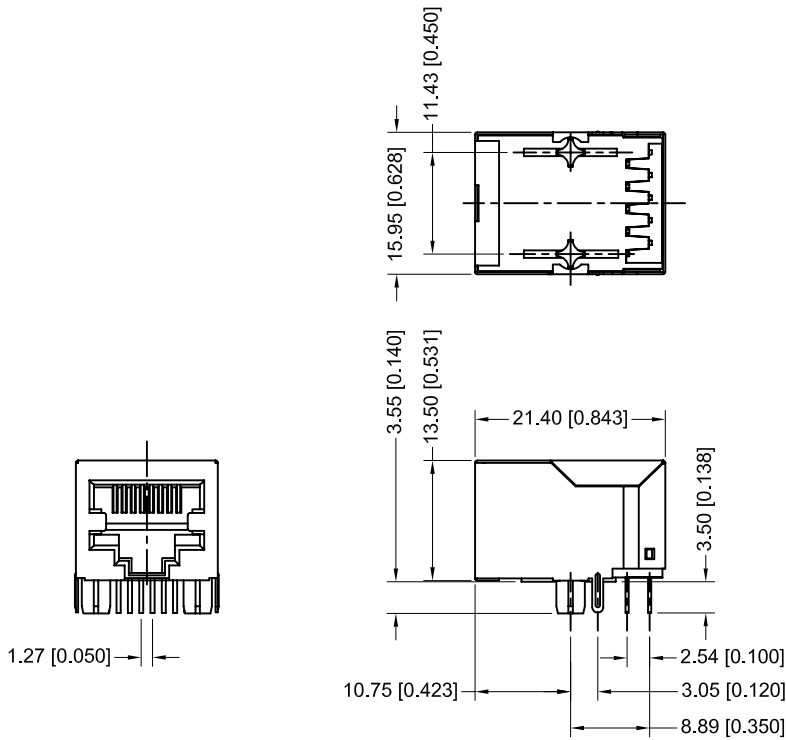
### 4. PCB LAYOUT (Top View)



### 3. ELECTRICAL CHARACTERISTICS:

Cross Talk	Insertion Loss	Return Loss		CMRR	Hi-Pot Test	
1MHz-100MHz	0.1MHz-100MHz	1MHz-30MHz	60MHz-80MHz	30MHz-100MHz	1500VAC or 2250VDC	
-35dB (Typ)	-1.2dB (Max)	-18dB (Min)	-12dB (Min)	-30dB (Typ)	(P1,P2): (J1,J2)	(P7,P8): (J3,J6)

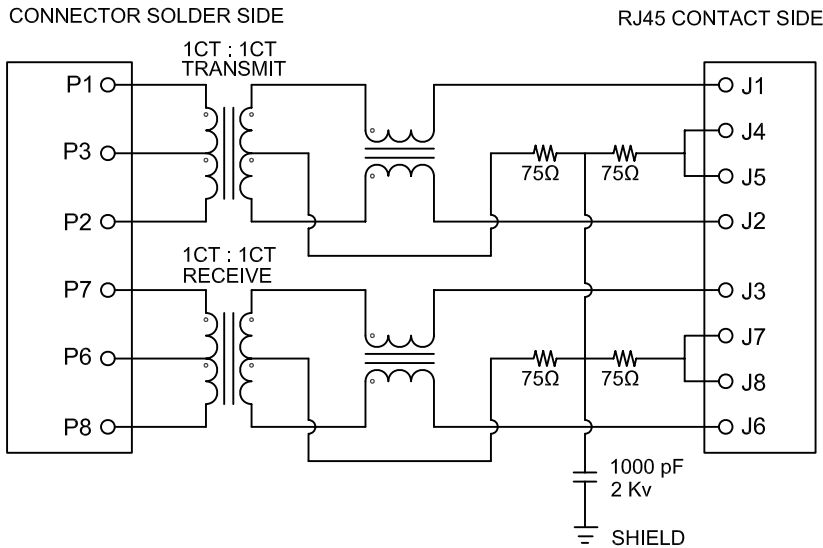
### 1. MECHANICAL DIMENSIONS:



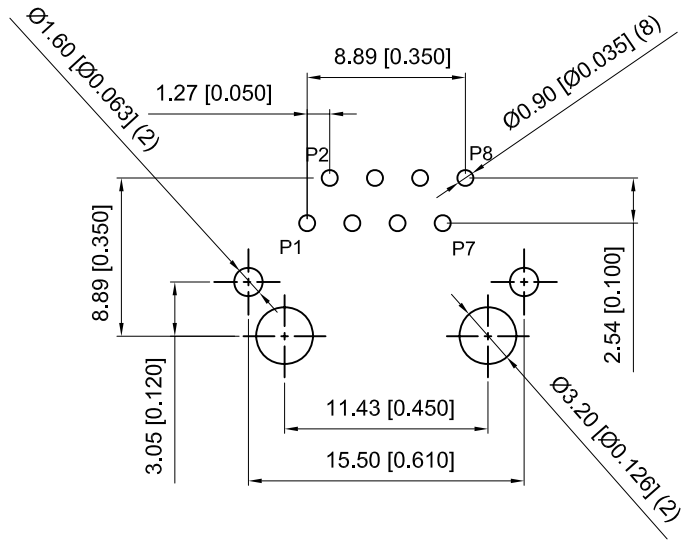
### 10/100 Mbps, Without LED, Latch-Down 8P, 8C, Shielded

PART NO	GOLD PLATING THICKNESS
A63-112-300P131	GOLD FLASH PLATING
A63-113-300P131	15 MICRO INCHES OF GOLD
A63-114-300P131	30 MICRO INCHES OF GOLD

### 2. SCHEMATIC:

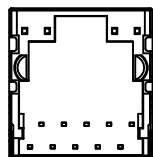
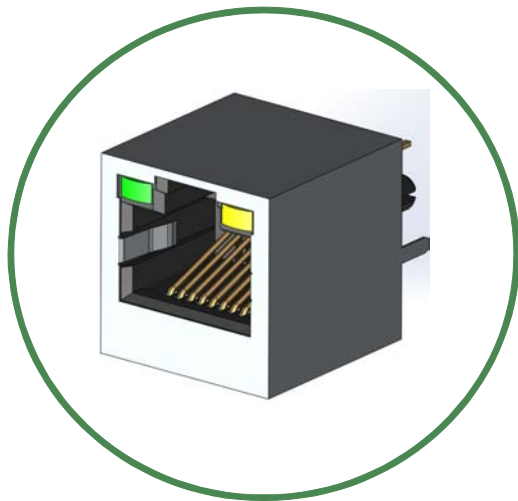


### 4. PCB LAYOUT (Top View)

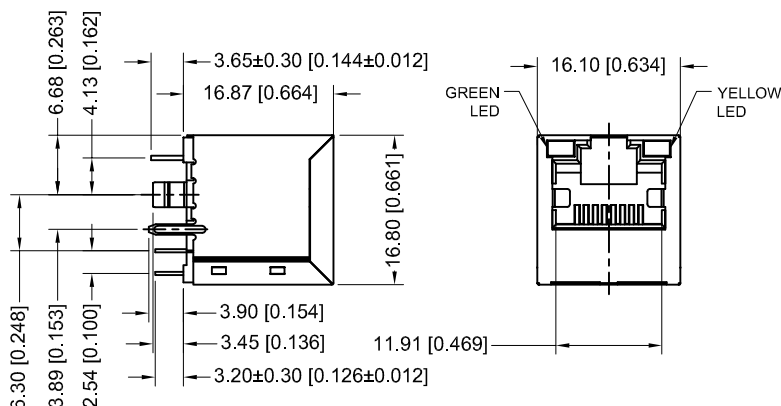


### 3. ELECTRICAL CHARACTERISTICS:

Cross Talk	Insertion Loss	Return Loss	CMRR	Hi-Pot Test	
1MHz-100MHz	0.1MHz-100MHz	1MHz-30MHz	30MHz-100MHz	1500VAC or 2250VDC	
-35dB (Typ)	-1.2dB (Max)	-18dB (Min)	-12dB (Min)	(P1,P2): (J1,J2)	(P7,P8): (J3,J6)



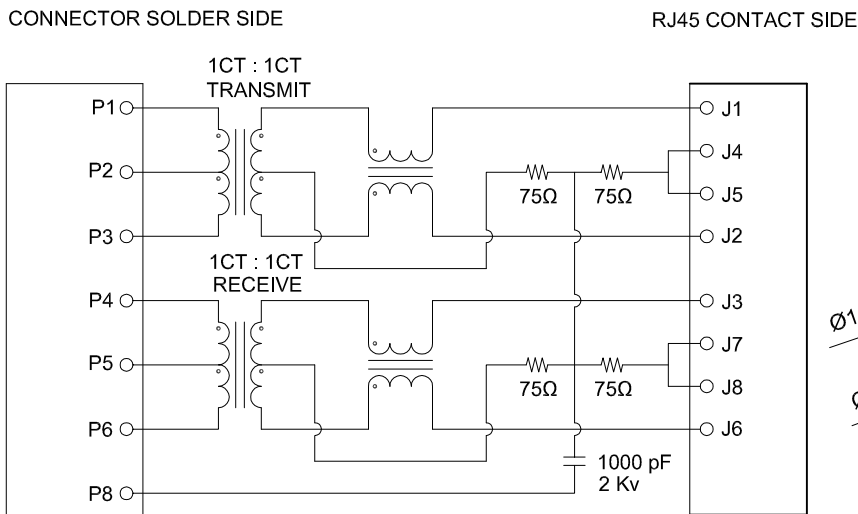
### 1. MECHANICAL DIMENSIONS:



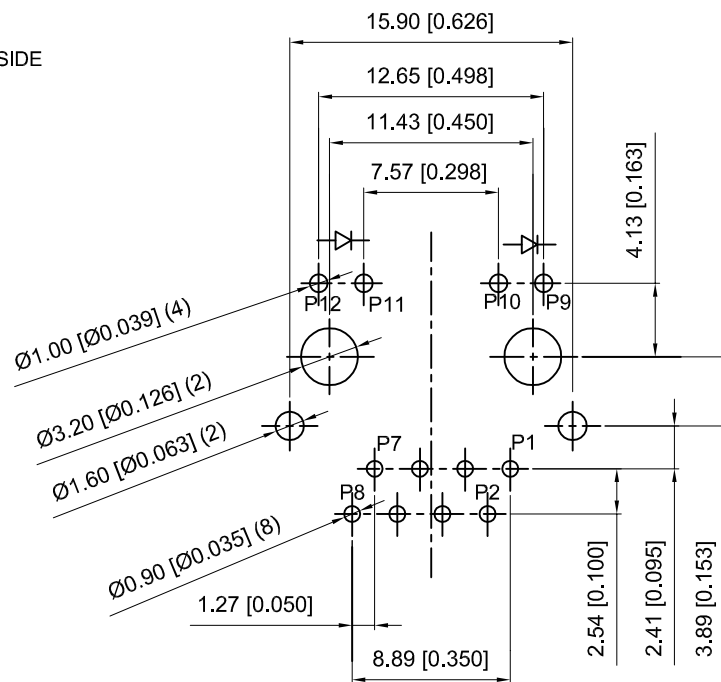
PART NO	GOLD PLATING THICKNESS
A63-112-431P112	GOLD FLASH PLATING
A63-113-431P112	15 MICRO INCHES OF GOLD
A63-114-431P112	30 MICRO INCHES OF GOLD

**10/100 Mbps, With LED, Vertical, Latch-Up  
8P, 8C, Shielded**

### 2. SCHEMATIC:

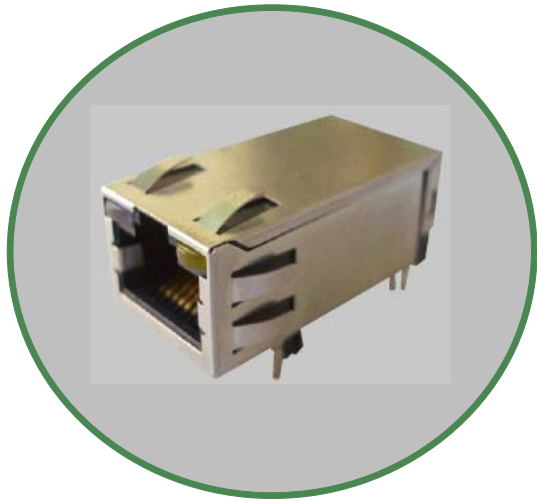


### 4. PCB LAYOUT (Top View)

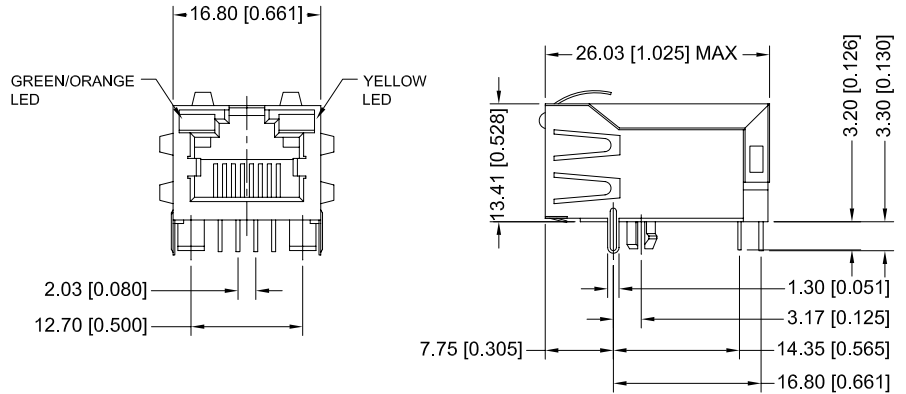


### 3. ELECTRICAL CHARACTERISTICS:

Cross Talk	Insertion Loss	Return Loss		CMRR	Hi-Pot Test	
1MHz-100MHz	0.1MHz-80MHz	1MHz-30MHz	30MHz-80MHz	30MHz-100MHz	1500VAC	
-35dB (Typ)	-1.2dB (Max)	-18dB (Min)	-12dB (Min)	-30dB (Typ)	(P1,P3): (J1,J2)	(P4,P6): (J3,J6)



### 1. MECHANICAL DIMENSIONS:

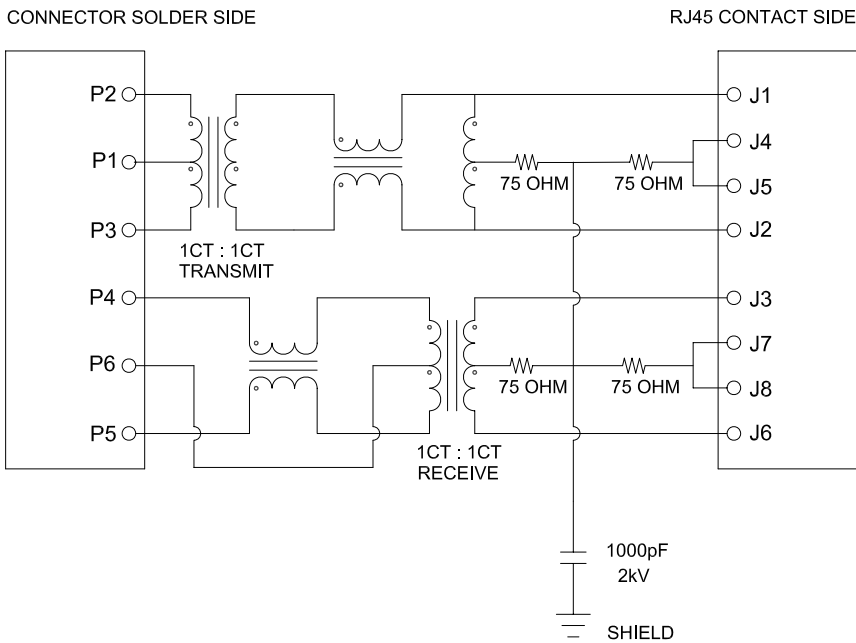


**10/100 Mbps- 5 Core, With LED**  
**Latch-Up, 6P, 8C, Shielded**

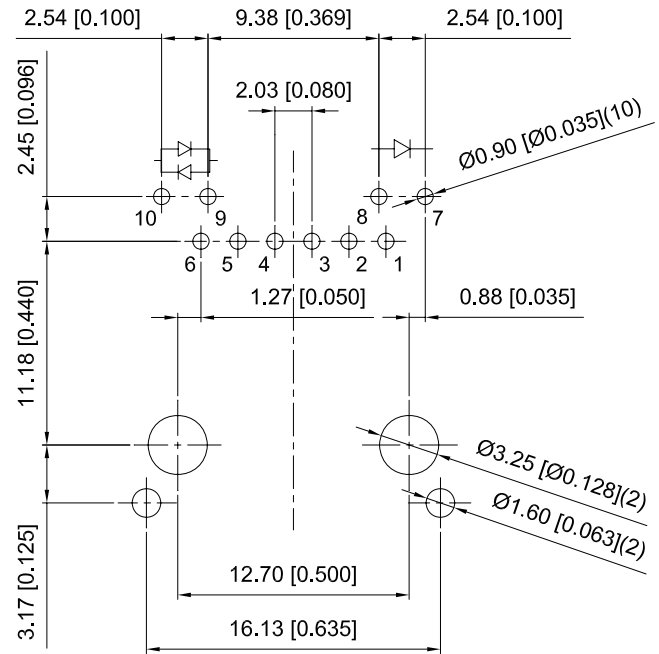
**PART NO**  
A64-112-271P521  
A64-113-271P521  
A64-114-271P521

**GOLD PLATING THICKNESS**  
**GOLD FLASH PLATING**  
**MICRO INCHES OF GOLD**  
**30 MICRO INCHES OF GOLD**

### 2. SCHEMATIC:



### 4. PCB LAYOUT (Top View)

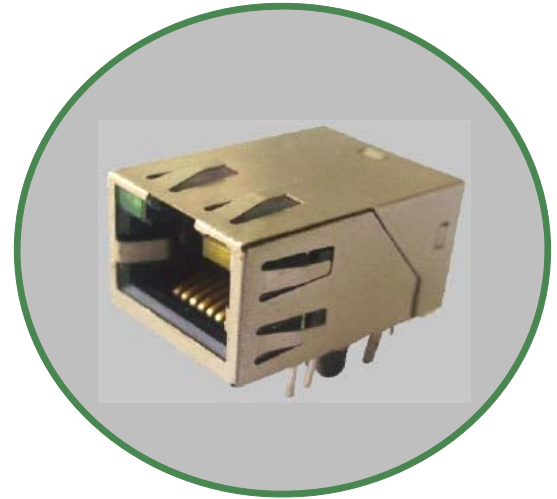
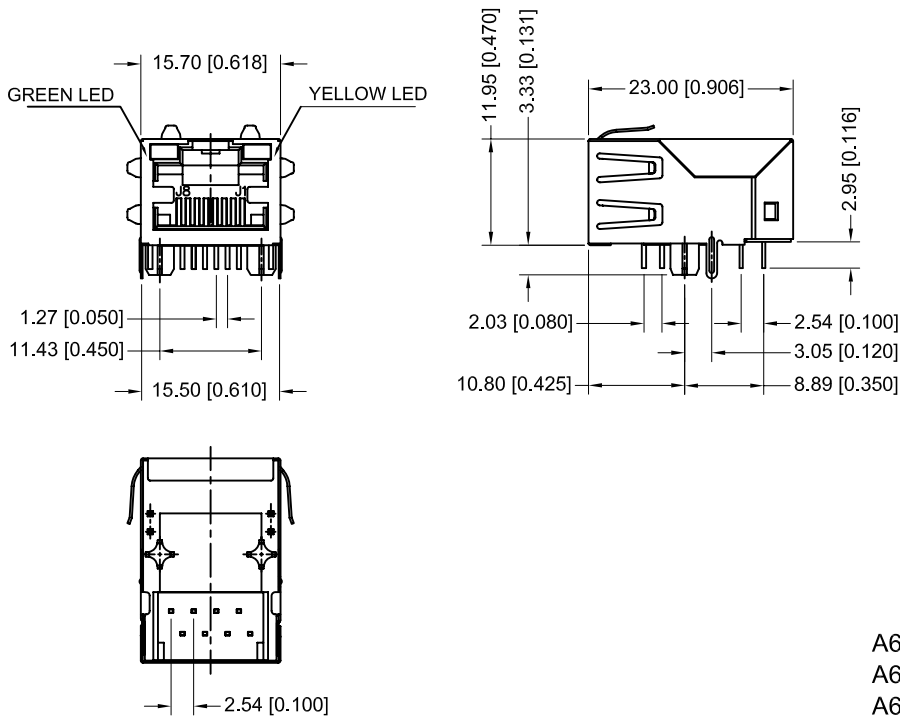


### 3. ELECTRICAL CHARACTERISTICS:

Cross Talk	Insertion Loss	Return Loss		CMRR	Hi-Pot Test	
1MHz-100MHz	1MHz-100MHz	1MHz-30MHz	60MHz-80MHz	1MHz-100MHz	1500VAC (2sec)	
-35dB (Typ)	-1.2dB (Max)	-18dB (Min)	-12dB (Min)	-30dB (Min)	(P2,P3): (J1,J2)	(P4,P5): (J3,J6)



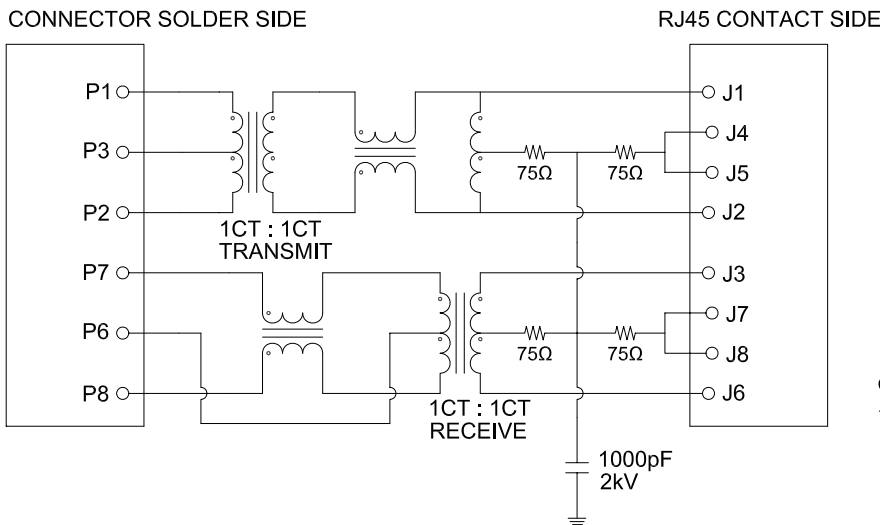
### 1. MECHANICAL DIMENSIONS:



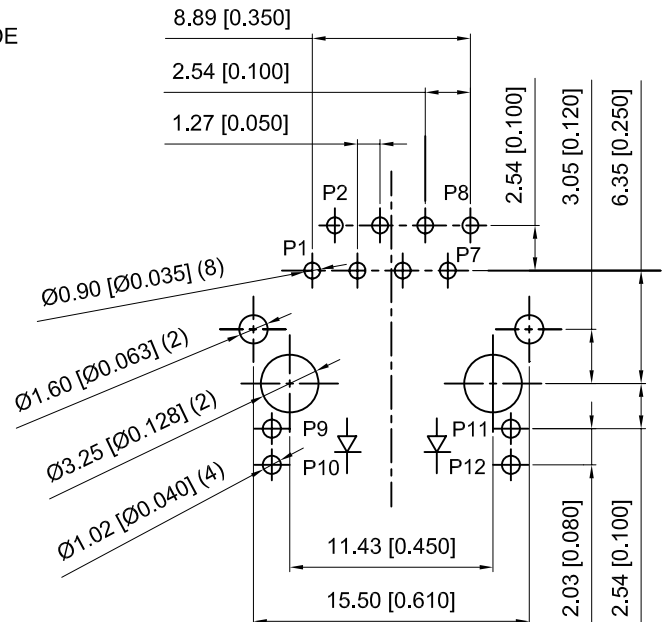
**10/100 Mbps- 5 Core, With LED  
Latch-Up, 8P, 8C, Shielded**

PART NO	GOLD PLATING THICKNESS
A64-112-231N411	GOLD FLASH PLATING
A64-113-231N411	15 MICRO INCHES OF GOLD
A64-114-231N411	30 MICRO INCHES OF GOLD

### 2. SCHEMATIC:



### 4. PCB LAYOUT (Top View)



### 3. ELECTRICAL CHARACTERISTICS:

Cross Talk	Insertion Loss	Return Loss		CMRR	Hi-Pot Test	
1MHz-100MHz	0.1MHz-80MHz	1MHz-30MHz	30MHz-80MHz	30MHz-100MHz	1500VAC or 2250VDC	
-35dB (Typ)	-1.1dB (Max)	-18dB (Min)	-12dB (Min)	-30dB (Typ)	(P1,P2): (J1,J2)	(P7,P8): (J3,J6)

**AMERICAS**

**Phone: (416) 754-3322**

**Fax: (416) 754-3299**

**Email: [customerservice@edac.net](mailto:customerservice@edac.net)**

**EUROPE**

**Phone: +44 (0) 1933 427 300**

**Fax: +44 (0) 1933 677 611**

**Email: [eu.enquiries@eu.edac.net](mailto:eu.enquiries@eu.edac.net)**

**ASIA**

**Phone: 02- 8809-1480**

**Fax: 02- 8809-1460**

**Email: [info@edac-tw.com](mailto:info@edac-tw.com)**

**FOR MORE INFORMATION**

**[www.edac.net](http://www.edac.net)**



ISSUE: MARCH 2016