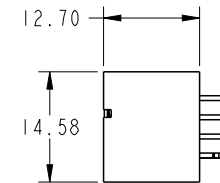
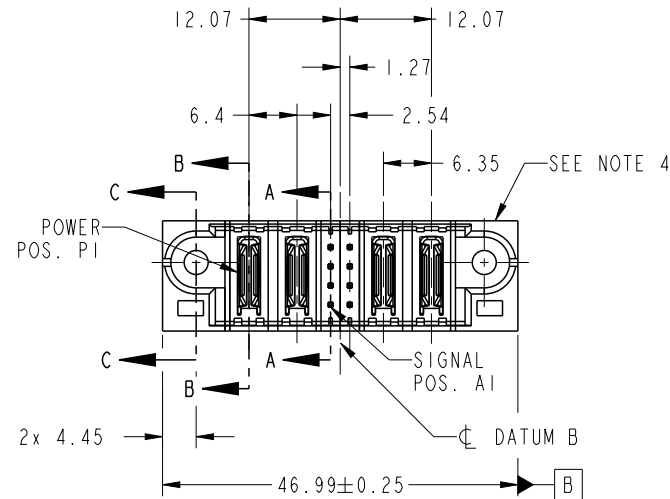


PRODUCT NO.	ROWS	POWER		SIGNAL		POWER			
		E1	P1	P2	1	2	P3	P4	E2
51710-065-- NOTE ③	DCBA		PA	PA			PA	PA	



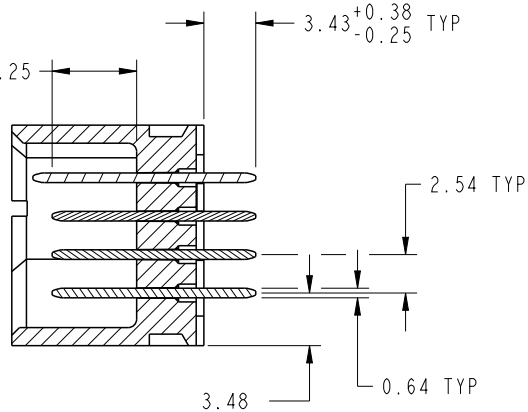
CODE	DIM "M" MATING LENGTH	CONTACT TYPE
PA	[N/A]	POWER
H	[5.59]	SIGNAL
E	[6.86]	SIGNAL
HA	[N/A]	HOLD-DOWN

spec ref		See Notes		dr	Luo Weller	2014/05/04	projection 	MM 	size	A4	scale	1:1	
tolerance std		TOLERANCES UNLESS OTHERWISE SPECIFIED		eng	Luo Weller	2014/12/22			ecn no	ELX-DG-19826-1			
See Notes				chr	-	-			product family	PwrBlade			
surface		linear	0.X	±0.50	FCI 	title	2P+8S+2P		dwg no	51710-065		rev	B
			0.XX	±0.25									
			0.XXX	±0.10									
		angular	0°	±2°	www.fci.com	cat. no.	&model_name	Product - Customer Drw			sheet 1 of 4		

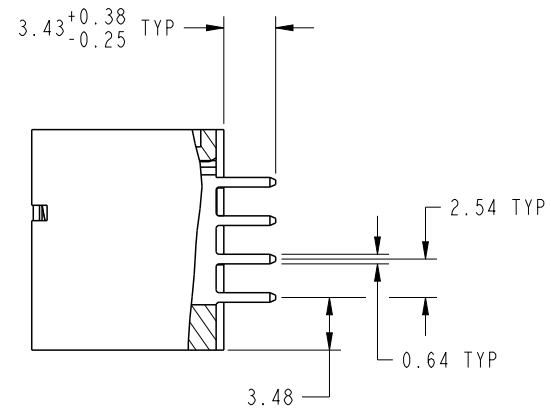
PRODUCT NUMBER

51710-065--
NOTE 3

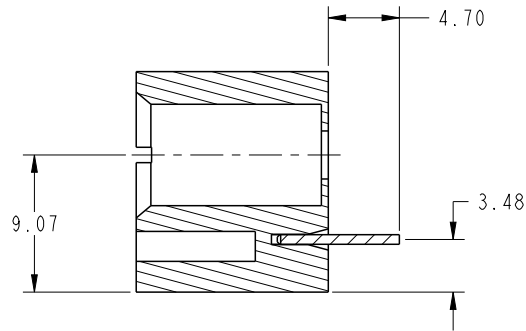
DIM "M" ±0.25



SECTION A-A
SCALE 2:1



SECTION B-B
SCALE 2:1



SECTION C-C
SCALE 2:1

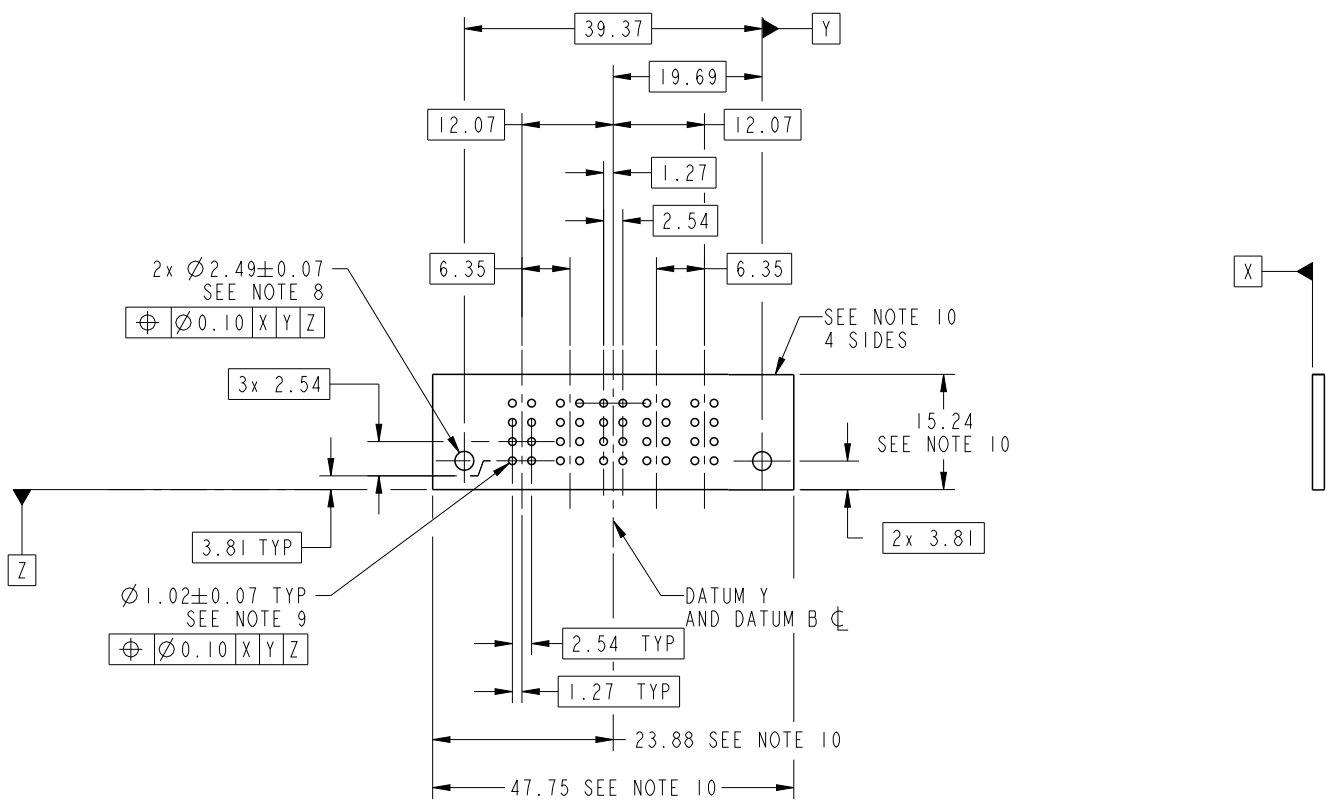
dr	Luo Weller	2014/05/04	projection 	MM 	size	A4	scale	1:1			
eng	Luo Weller	2014/12/22			ecn no	ELX-DG-19826-1					
chr	-	-			product family	PwrBlade		rel level	Released		
appr	Pei-Ming Zheng	2014/12/23			title	2P+8S+2P		dwg no	51710-065	rev	B
www.fci.com		cat. no.	&model_name	Product - Customer Drw			sheet 2 of 4				



Copyright FCI.

PRODUCT NUMBER

51710-065__
NOTE 3



RECOMMENDED PCB LAYOUT

dr	Luo Weller	2014/05/04	projection 	MM 	size	A4	scale	1:1	
eng	Luo Weller	2014/12/22			ecn no	ELX-DG-19826-1			
chr	-	-			rel level	Released			
appr	Pei-Ming Zheng	2014/12/23	product family	PwrBlade					
		title	2P+8S+2P VERTICAL SOLDER HEADER		dwg no	51710-065		rev	B
www.fci.com		cat. no.	&model_name	Product - Customer Drw		sheet 3 of 4			

PRODUCT NUMBER

51710-065__
NOTE 3

NOTES:

1. DIMENSIONS AND TOLERANCES ARE IN ACCORDANCE WITH ASME Y14.5M, 1994 UNLESS OTHERWISE SPECIFIED.

CONNECTOR NOTES:

- 2 HOUSING MATERIAL: UL 94 V-0 GLASS FILLED HIGH-TEMP THERMOPLASTIC
POWER CONTACT MATERIAL: COPPER ALLOY
SIGNAL PIN MATERIAL: COPPER ALLOY
- 3. SEE ITEM 1 & 2 IN PRINT 10064183 FOR PLATING SPEC OF 51710-065 AND 51710-065LF RESPECTIVELY.

4 MANUFACTURER'S NAME, DATE CODE AND OPTIONAL P/N TO APPEAR ON THIS SURFACE. THE MARK CAN BE OMITTED IF THERE IS NOT ENOUGH SPACE ON THIS SURFACE.

5. PRODUCT SPECIFICATION GS-12-149.
APPLICATION SPECIFICATION BUS-20-067.

6. PACKAGED IN TRAYS.

PCB NOTES:

- 7. ALL HOLE DIAMETERS ARE FINISHED HOLE SIZE.
- 8. MOUNTING HOLES, WHERE APPLICABLE, ARE UNPLATED.

9 $\varnothing 1.151 \pm 0.025$ DRILLED HOLES PLATED WITH 0.008 MIN SnPb OR Sn OVER .001 [0.03] TO 0.08 Cu PLATING TO ACHIEVE $\varnothing 1.02 \pm 0.07$ HOLE.

10 CONNECTOR KEEP-OUT ZONE.



Copyright FCI.

dr	Luo Weller	2014/05/04	projection 	MM 	size	A4	scale	1:1
eng	Luo Weller	2014/12/22			ecn no	ELX-DG-19826-1		
chr	-	-			product family	PwrBlade	rel level	Released
appr	Pei-Ming Zheng	2014/12/23	FCI		title	2P+8S+2P		rev
			VERTICAL SOLDER HEADER		dwg no	51710-065		B
www.fci.com			cat. no.	&model_name	Product - Customer Drw			sheet 4 of 4