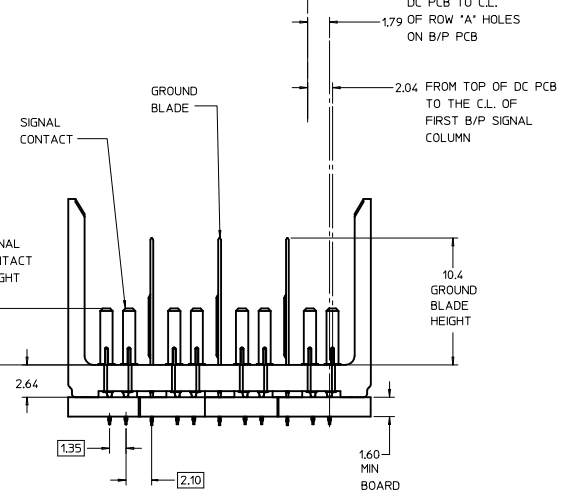
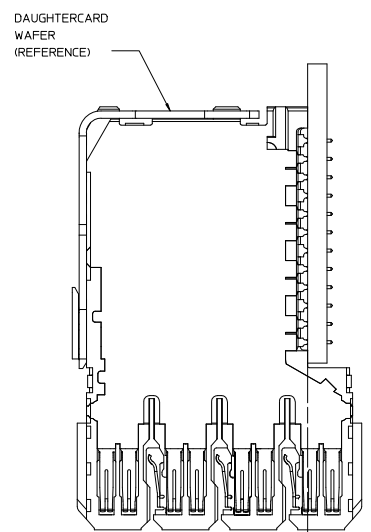


MODULE ORIENTATION OPEN = 0

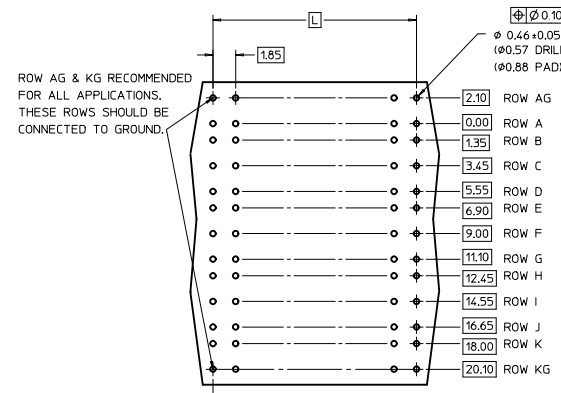
COLUMN	PIN LENGTH DIM "M"	GOLD (Au) THICKNESS micrometers
1 = 10 COL	0-3.55 mm	0.25
2 = 25 COL	1-4.55 mm	
5 = 5 COL	2-5.55 mm	0.76
7 = 7 COL	3-3.55 mm	
	4-4.55 mm	
	5-5.55 mm	
	7-3.55 mm	1.27
	8-4.55 mm	
	9-5.55 mm	

KEYING ORIENTATION 0 = OPEN

- NOTES:
- MATERIAL: HOUSING - LIQUID CRYSTAL POLYMER (LCP) GLASS-FILLED, UL 94V-0, COLOR - GRAY, SIGNAL CONTACT AND GROUND BLADE - HIGH PERFORMANCE COPPER ALLOY.
 - FINISHES: SELECTIVE GOLD (Au) 0.25 (MAPS), 0.76, 1.27 micrometers THICKNESS ON CONTACT AREA, SELECTIVE MATTE TIN (Sn) ON PCB TAILS, NICKEL (Ni) OVERALL.
 - THIS PART CONFORMS TO MOLEX PRODUCT SPECIFICATION PS-75221-999.
 - FOR MIXED CONTACT MATING LENGTHS CONSULT MOLEX FOR AVAILABILITY, CONTACT PAIRS MUST BE THE SAME LENGTH.
 - FOR SPECIFIC PART NUMBER AND MATING INFORMATION PLEASE REFER TO CHART.
 - PACKAGE PER PK-70873-563.
 - EITHER MARK PART NUMBER AND DATE CODE APPROXIMATELY WHERE SHOWN OR PLACE A LABEL ON THE TUBE.
 - THESE PARTS CONFORM TO MOLEX COSMETIC SPECIFICATION PS-45499-002 CLASS B.



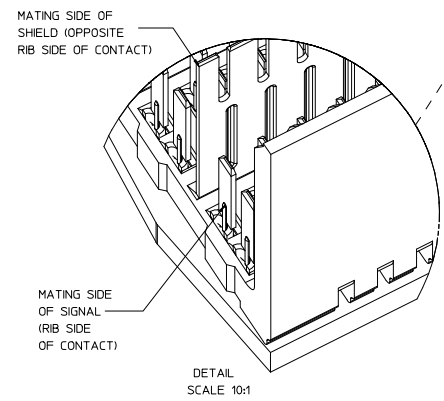
PART NUMBER TABLE				
ASSY PART NO.	K	L	P	TOTAL NO. OF DIFFERENTIAL PAIRS
75838-010*	9	16.65	18.35	40
75838-020*	24	44.40	46.10	100
75838-050*	4	7.40	9.10	20
75838-070*	6	11.10	12.80	28



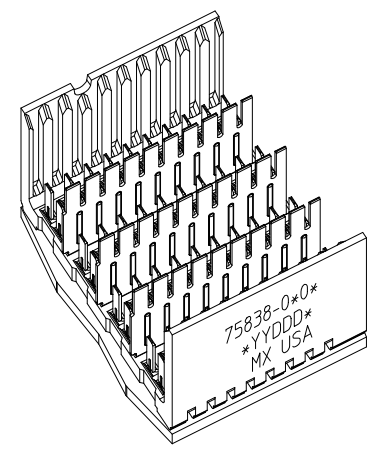
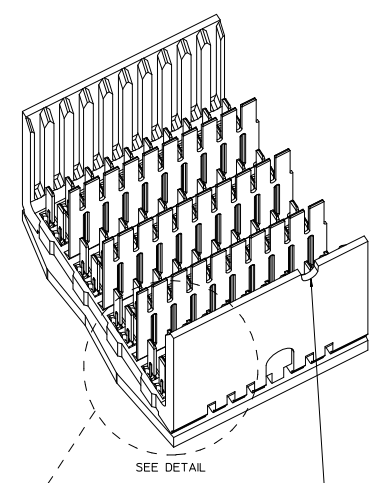
ROW AG & KG RECOMMENDED FOR ALL APPLICATIONS. THESE ROWS SHOULD BE CONNECTED TO GROUND.

BACKPLANE HOLE PATTERN (COMPONENT SIDE-10 POS SHOWN)

LEAD-FREE PLATING ON SIGNALS, & GROUNDS.



DETAIL SCALE 10:1



ADD MAPS PLATING EC NO: UCP2012-3688 DRWNSDANIELLY 2011/10/27 CHKDMMOLFE 2012/05/14 APPRSMILLER 2012/05/23	QUALITY SYMBOLS ∇=0 ∇=0 ∇=0	GENERAL TOLERANCES (UNLESS SPECIFIED) mm INCH 4 PLACES ±---+--- 3 PLACES ±---+--- 2 PLACES ±0.25+--- 1 PLACE ±0.38+--- 0 PLACE ±+---	DIMENSION STYLE MM ONLY DRAWN BY DATE THOMAS 2006/01/03 CHECKED BY DATE KMULVEY 2006/01/04 APPROVED BY DATE JB INGHAM 2006/01/05	SCALE 5:1 DESIGN UNITS METRIC THIRD ANGLE PROJECTION	TITLE GBX 4-PAIR OPEN END BACKPLANE ASSEMBLY LEAD-FREE SALES DRAWING molex	MATERIAL NO. SEE TABLE DOCUMENT NO. SD-75838-010	SHEET NO. 1 OF 1
		DRAFT WHERE APPLICABLE MUST REMAIN WITHIN DIMENSIONS	THIS DRAWING CONTAINS INFORMATION THAT IS PROPRIETARY TO MOLEX INCORPORATED AND SHOULD NOT BE USED WITHOUT WRITTEN PERMISSION				