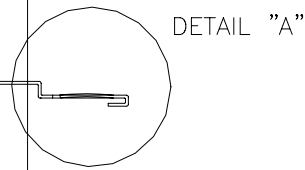
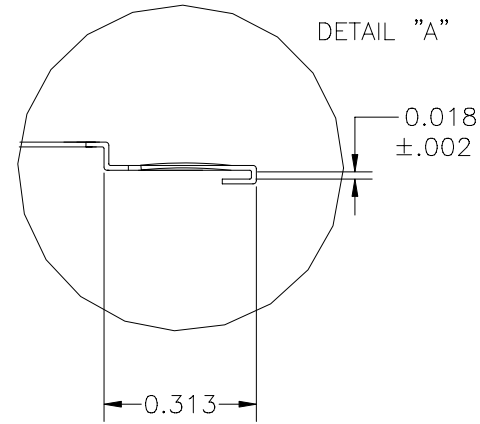
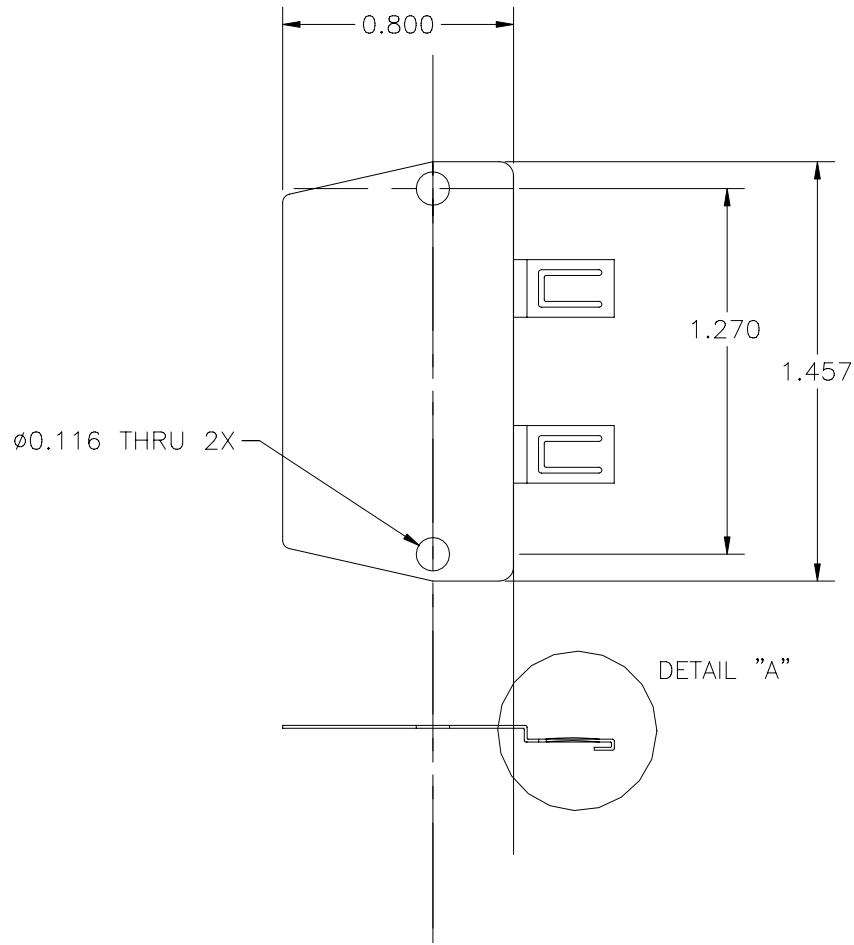


| REVISIONS |                          |      |          |
|-----------|--------------------------|------|----------|
| LTR       | DESCRIPTION              | DATE | APPROVED |
| N/C       | RELEASED PER ECN T-20872 |      |          |



© Raychem Corporation 1988

# SPECIFICATION CONTROL DRAWING

1. NICKEL PLATE PER MIL-C-26074, CLASS 2, .000150/.000250 THICKNESS.

NOTES:

|   |                        |            |             |  |
|---|------------------------|------------|-------------|--|
| UNLESS OTHERWISE SPECIFIED<br>DIMENSIONS ARE IN INCHES.<br>METRIC DIMENSIONS ARE<br>IN BRACKETS.<br><br>DECIMALS<br>.XXX ± .005 [ mm ]<br>.XX ± .01 [ mm ]<br>ANGLES<br>.X ± 1°<br>MATERIAL Be Cu 172A<br>0.010 THICKNESS | DRAWN                  | TIMM       | 04/16/96    | <b>Raychem</b><br><small>RAYCHEM CORPORATION<br/>         300 CONSTITUTION DRIVE<br/>         MENLO PARK, CALIFORNIA 94025</small><br>TITLE<br>BUSBAR, 1"<br>FOR PLUG SHELL<br>GROUNDING BLOCK |
|   | CHECKED                |            |             |  |
|   | APPROVED               |            |             |  |
|   | PCN:                   | 362973-000 |             |  |
|   | CAD NAME               |            | \010059.DWG | SIZE C<br>CODE IDENT. NO. 06090<br>DWG. NO. CHA-0291<br>DO NOT SCALE THIS DRAWING  |
|   | THIRD ANGLE PROJECTION |            |             | REV N/C<br>SHEET 1 OF 1  |

DWG NO. CHA-0291 SHEET 1