

C1005CH2A181K050BA

TDK Item Description : C1005CH2A181KT****

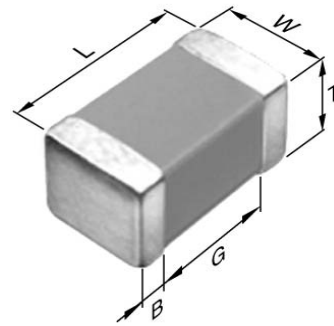


Application & Main Feature

Commercial Grade (Mid Voltage (100 to 630V))

Series

C1005 [EIA CC0402]



Dimensions

L 1.00mm +/-0.05mm
W 0.50mm +/-0.05mm
T 0.50mm +/-0.05mm
B 0.10mm Min.
G 0.30mm Min.

Temperature Characteristic

CH (-25 to 85 degC 0+/-60ppm/degC)

Rated Voltage

2A (100Vdc)

Capacitance

180pF

Capacitance Tolerance

K (+/-10%)

Q Factor

1000 Min.

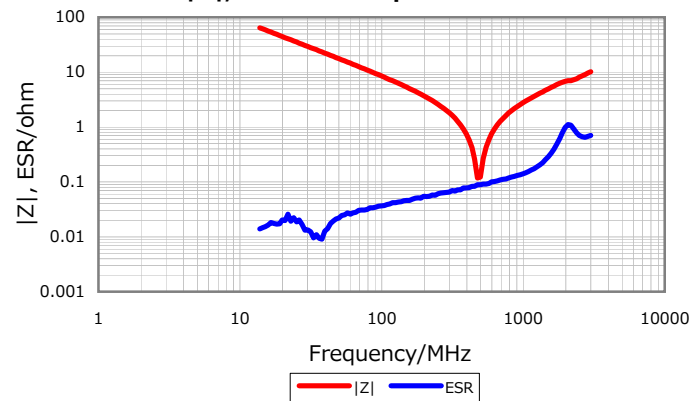
Insulation Resistance

10Gohm Min.

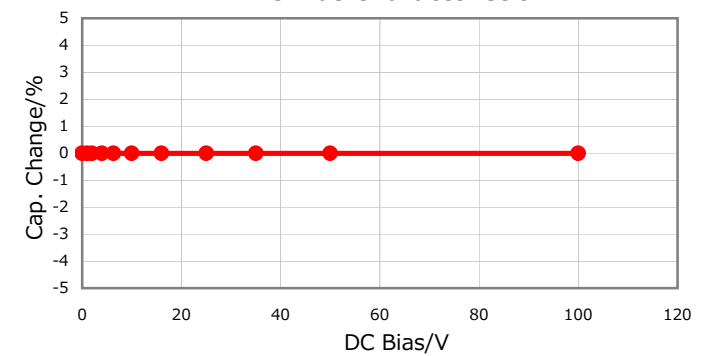
AEC-Q200

Not Applicable

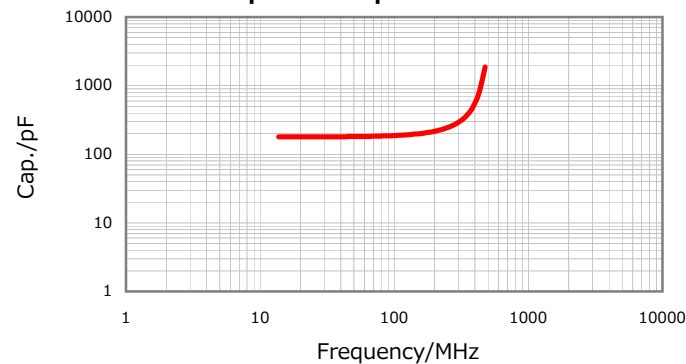
|Z|, ESR vs. Freq. Characteristics



DC Bias Characteristic



Cap. vs. Freq. Characteristic



Temperature Characteristics

