



UltraCap[®]

Single cell
200 F/ 2.5 V

Series/Type:

Ordering code: B49410A2205Q000

Date: March 2005

© EPCOS AG 2005. Reproduction, publication and dissemination of this data sheet, enclosures hereto and the information contained therein without EPCOS' prior express consent is prohibited.

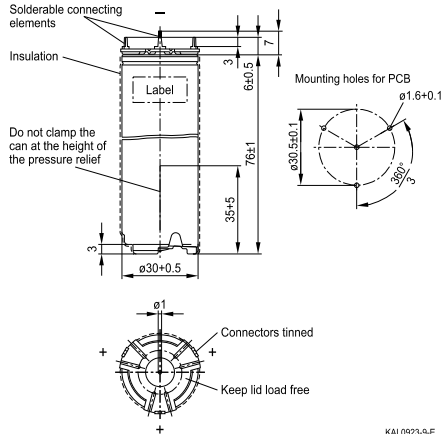
Purchase orders are subject to the General Conditions for the Supply of Products and Services of the Electrical and Electronics Industry recommended by the ZVEI (German Electrical and Electronic Manufacturers' Association), unless otherwise agreed.

Features

- Solder pin/4
- Power type
- Insulated with polyurethane
- Short-circuit-proof

Note

- Do not put into fire!
- Do not open the capacitor!
- To avoid health and fire hazards, do not operate the capacitor beyond the voltage or temperature limits given in the data sheet. Any excess may also result in a reduction of lifetime.
- Please pay also attention to the transport and waste disposal instructions in chapter "Cautions".

Dimensional drawing


Dimensions in mm

KAL0923-9-E

Electrical specifications

Rated capacitance	$(T_A = 25\text{ °C}; \text{DCC})^1$	C_R	200	F
Tolerance of C_R			-10/+30	%
Rated voltage	$(T_A = 25\text{ °C})$	V_R	2.5	V
Capacity			140	mAh
Specific power	(IEC 62391-2)		3.3	kW/kg
Specific power	(IEC 62391-2)		3.9	kW/l
Stored energy	$(V = V_R)$	E	625	J
Specific energy	$(V = V_R)$		2.7	Wh/kg
Specific energy	$(V = V_R)$		3.1	Wh/l
Surge voltage		V_{surge}	2.8	V
Maximum series resistance	$(T_A = 25\text{ °C}; 1\text{ kHz})$	ESR	1.5	m Ω
Maximum series resistance	$(T_A = 25\text{ °C}; 50\text{ mHz})$	ESR _{DC}	3.5	m Ω
Weight			65	g
Volume			0.056	l
Operating temperature range		T_{op}	-30/+70	°C
Storage temperature	$(V = 0\text{ V})$	T_{st}	-40/+70	°C
Lifetime (hours) ²⁾	$(T_A = 25\text{ °C}; V = V_R)$		90000	h
Lifetime (cycles) ³⁾	$(T_A = 25\text{ °C}; I = 8\text{ A})$		500000	cycles

1) DCC: discharging with constant current.

 2) Requirements: $|\Delta C/C_R| \leq 30\%$, $\text{ESR} \leq 2$ times of specified limit, $I_{\text{leak}} \leq 2$ times of initial value.

 3) Requirements: $|\Delta C/C_R| \leq 30\%$, $\text{ESR} \leq 2$ times of specified limit, $I_{\text{leak}} \leq 2$ times of initial value (1 cycle: charging to V_R , 30 s rest, discharging to $V_R/2$, 30 s rest).