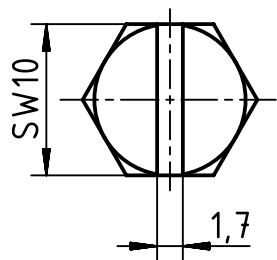
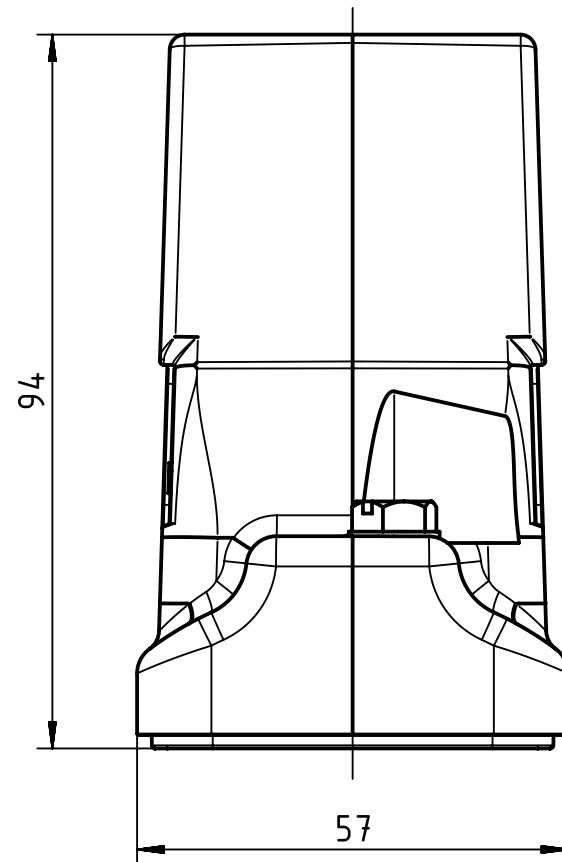
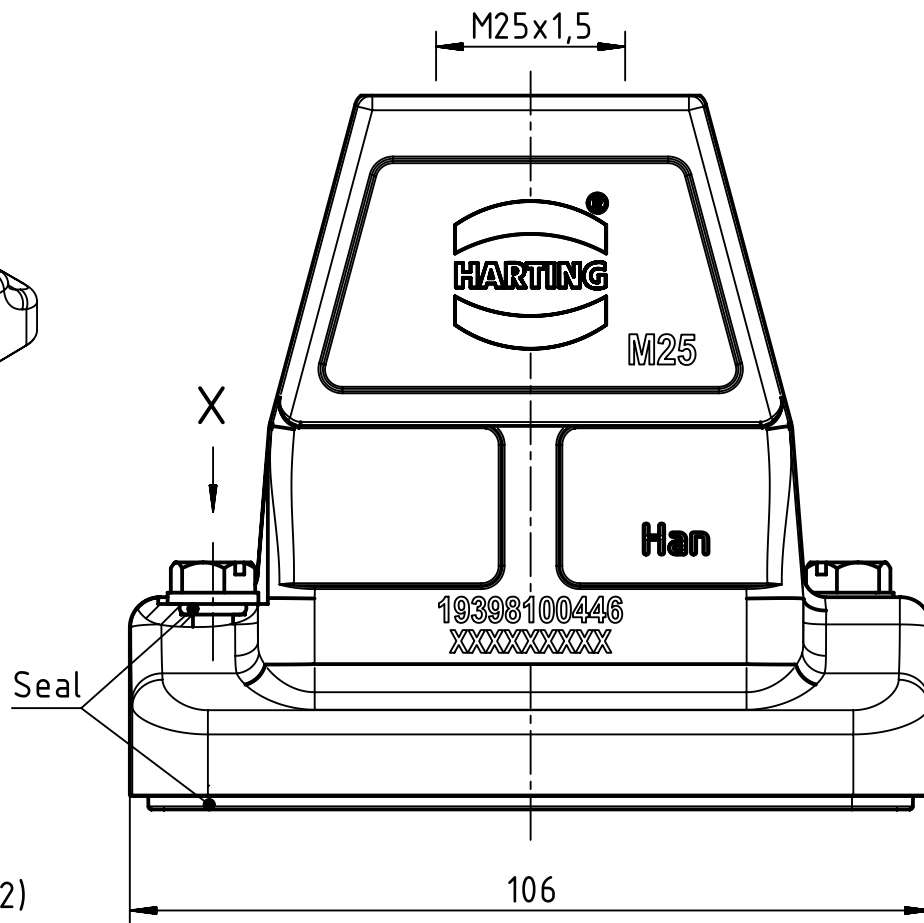
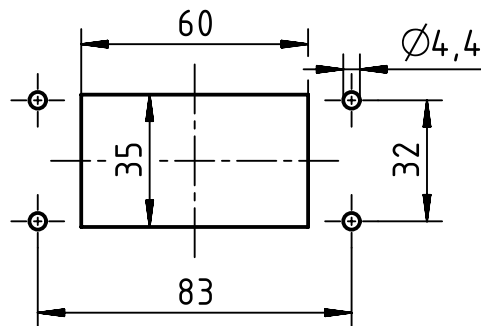


X (2:1)



Panel cut out (1:2)



	All rights reserved Department EL PD - CN HARTING (Zhuhai) Manufacturing Co., Ltd. 519085 Zhuhai, China		All Dimensions in mm Original Size DIN A4		Scale 1:1	Free size tol.	Ref. Sub.
			Created by LONGL	Inspected by WENE	Standardisation SCHMIDTM	Date 2017-03-20	State Final Release
Title Han 10HP Direct/EMV-HTE-M25						Doc-Key / ECM-Nr. 100665106/UGD/003/C 500000116965	
Type TB					Number 19 39 810 0446		Rev. C
							Page 1/1