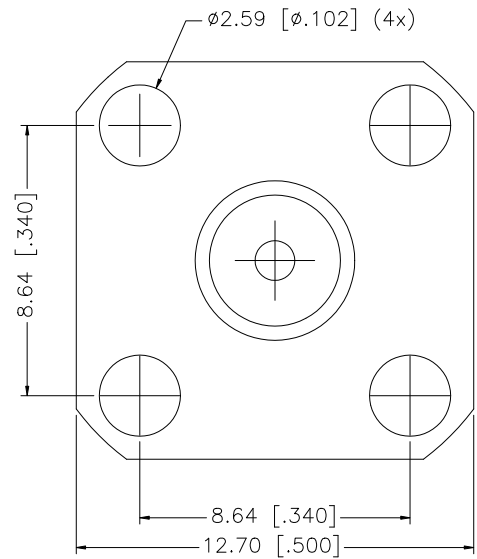
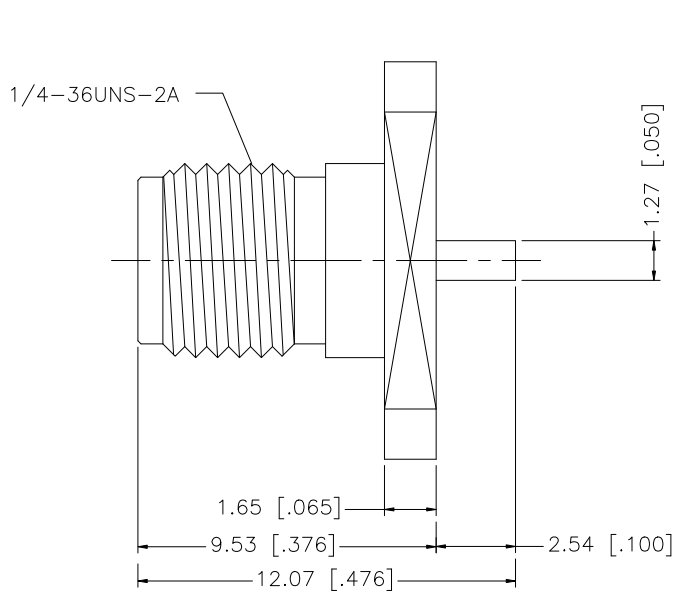


REV.	DATE	DESCRIPTION
A	08/20/98	ADD TEFLON INSULATOR
B	05/01/04	UPDATE DRAWING FORMAT
C	10/10/07	REMOVE CHAMFER FROM CENTER CONTACT



8				<small>UNLESS OTHERWISE SPECIFIED DIMENSIONS ARE IN MILLIMETERS. DIMENSIONS IN [ ] ARE IN INCHES AND FOR CUSTOMER REFERENCE ONLY.</small> <small>UNLESS OTHERWISE SPECIFIED TOLERANCES FOR MILLIMETERS ARE:</small> 0.5 - 8mm ± 0.20mm 8 - 30mm ± 0.40mm 30 - 120mm ± 0.50mm <small>UNLESS OTHERWISE SPECIFIED TOLERANCES FOR INCHES ARE:</small> .020 - .315 = ± 0.007" .315 - 1.180 = ± 0.015" 1.180 - 4.724 = ± 0.020" DO NOT SCALE DRAWING	APPROVALS	DATE	<h1 style="color: blue; text-align: center;">Amphenol Connex</h1>	
7			DRAWN		G.R.S.	10/10/07		PART DESCRIPTION <h2 style="text-align: center;">SMA PANEL RECEPTACLE JACK</h2>
6			CHECKED					
5			ISSUED					
4				SHEET	1 OF 1		PART NO.	132150
3	CONTACT PIN	BER. COPPER	GOLD	1			DWG. NO.	132150.DWG
2	INSULATOR	TEFLON	NATURAL	1			REV.	C
1	BODY	BRASS	GOLD	1			SIZE	A
	DESCRIPTION	MATERIAL	FINISH	QTY		CAD FILE	SCALE	NA
						C:/132/132150.DWG		