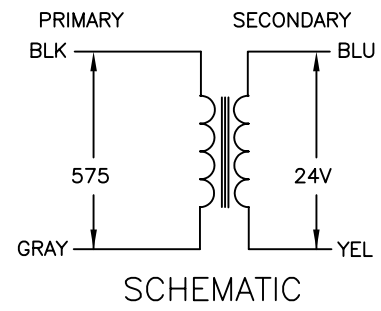
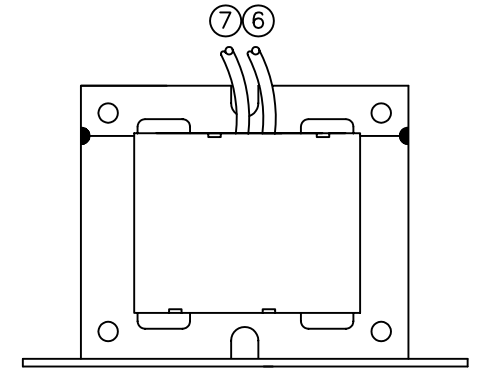
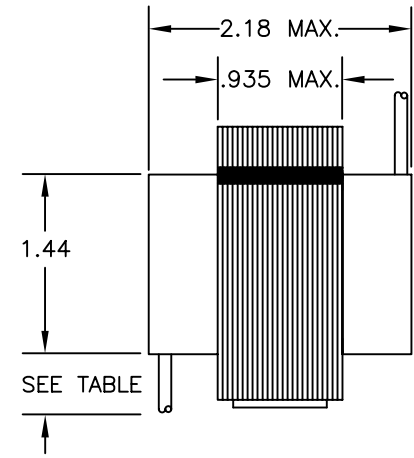
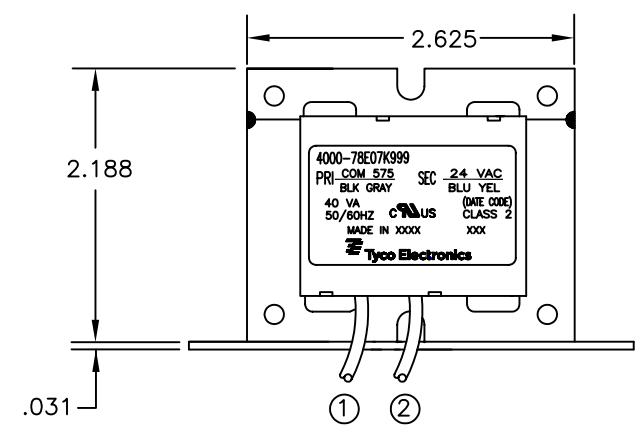
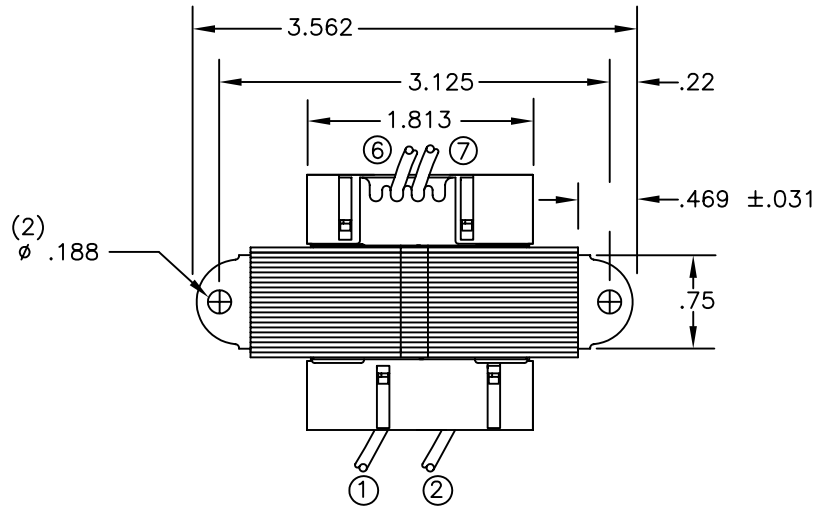


THIS DRAWING IS UNPUBLISHED. RELEASED FOR PUBLICATION  
 © COPYRIGHT - BY TYCO ELECTRONICS CORPORATION. ALL RIGHTS RESERVED.

LOC	DIST	REVISIONS					
GZ	00	P	LTR	DESCRIPTION	DATE	DWN	APVD
		B		ECR-08-009082	11APR08	KH	HT

ALL LEADS 18AWG--UNLESS OTHERWISE SPECIFIED				NOTES		CERTIFICATION:		
PRIMARY				1. DIMENSIONS FOR REFERENCE ONLY.		UL/CUL FILE NO. E87824		
LEAD NO.	1	2		2. ALL LEADS +1"/-0" TOL.		SECONDARY		
VOLTAGE	COM	575		3. STRIP TOL. ±1/32		LEAD NO.	6	7
COLOR	BLK	GRAY		4. WINDING PROTECTION--INHERENTLY LIMITING		VOLTAGE	24	VAC
LENGTH	12.0	12.0				COLOR	BLU	YEL
STRIP LENGTH	.50	.50				LENGTH	12.0	12.0
						STRIP LENGTH	.50	.50



TYCO ELECTRONICS PART NUMBER  
 1611456-7

THIS DRAWING IS A CONTROLLED DOCUMENT.		DWN	08MAR04	Tyco Electronics Corporation Harrisburg, PA 17105-3608
DIMENSIONS: INCHES		CHK	08MAR04	
TOLERANCES UNLESS OTHERWISE SPECIFIED:		APVD	08MAR04	
0 PLC ± - 1 PLC ± - 2 PLC ± .01 3 PLC ± .005 4 PLC ± - ANGLES ± -		NAME	TRANSFORMER OUTLINE P.U. STOCK	
MATERIAL	FINISH	PRODUCT SPEC	APPLICATION SPEC	RESTRICTED TO
-	-	WEIGHT	SIZE	SCALE
		-	A3	1:1
CUSTOMER DRAWING		CAGE CODE	DRAWING NO	SHEET
		00779	C=4000-78E07K999	1 OF 1
				REV
				B