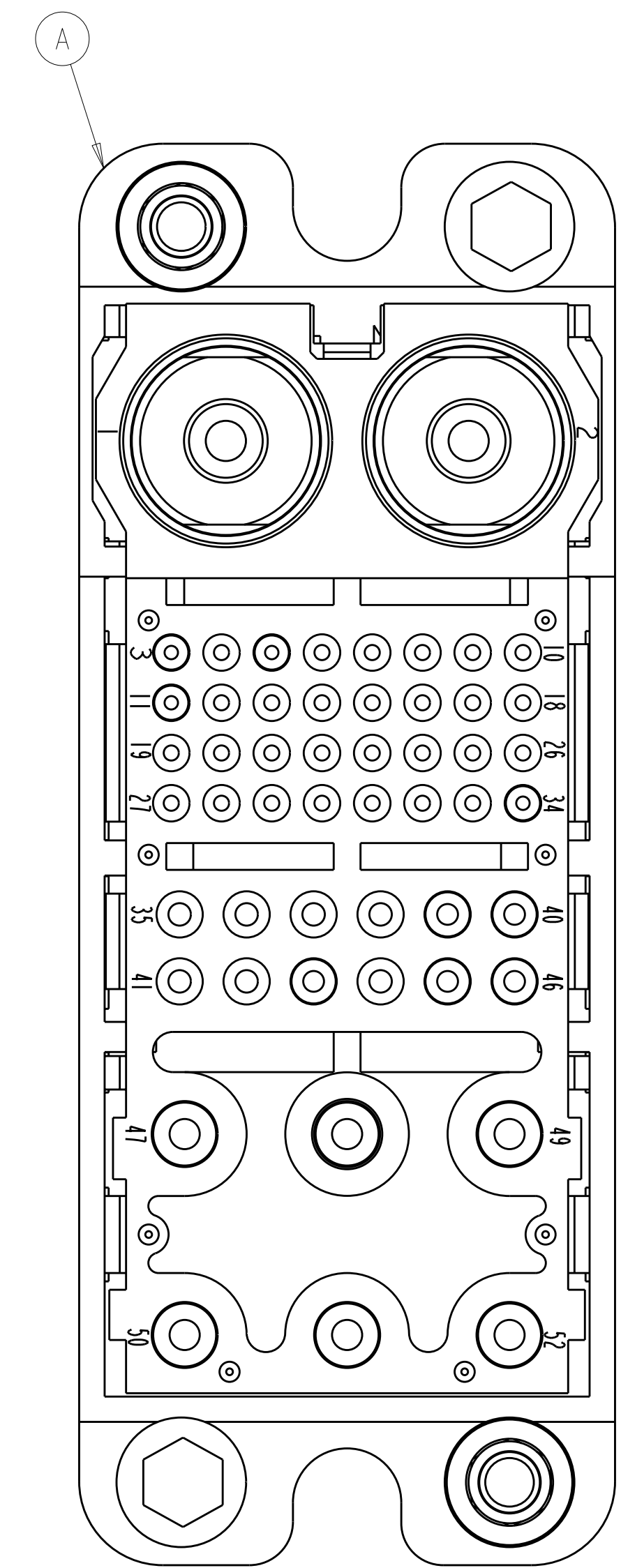
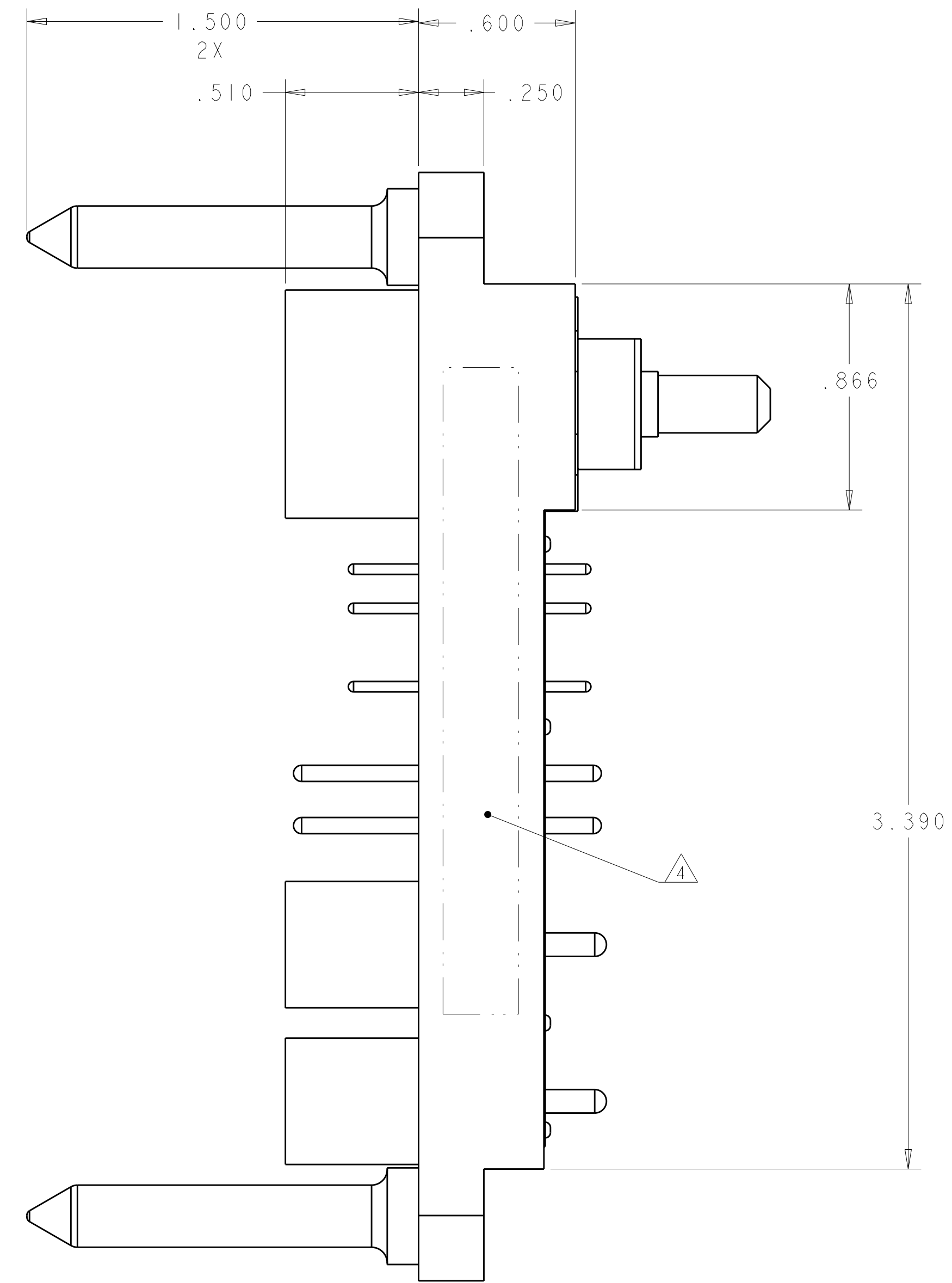
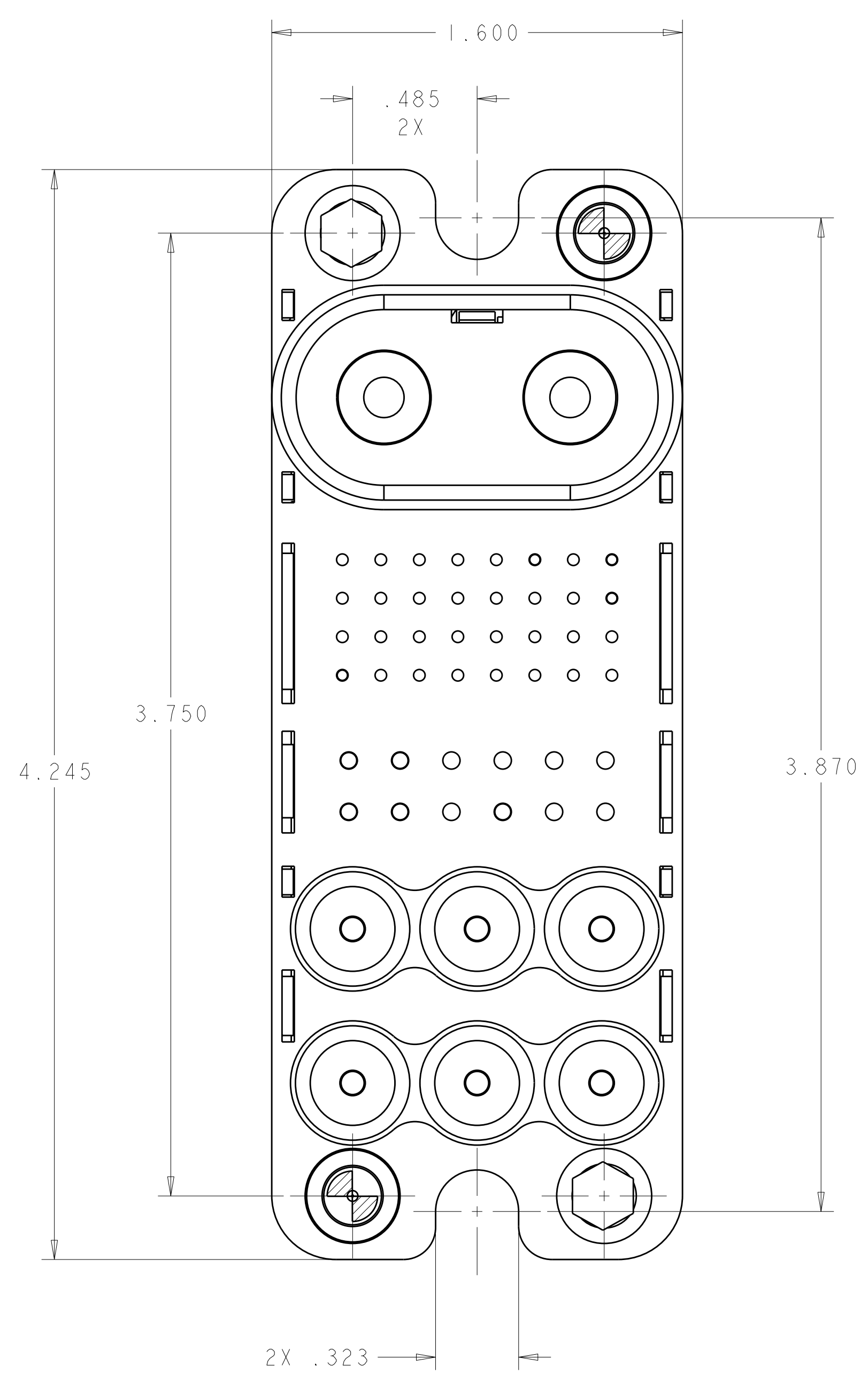


LOC	DIST	REV	DATE	BY	APP'D
GP	00	A	21SEP2009	RG	DO
		B	25APR2011	RG	DO



PIN CONTACT (B)  $\Delta$   
 SIZE #0

PIN CONTACT (C)  $\Delta$   
 SIZE #20

PIN CONTACT (D)  $\Delta$   
 SIZE #16

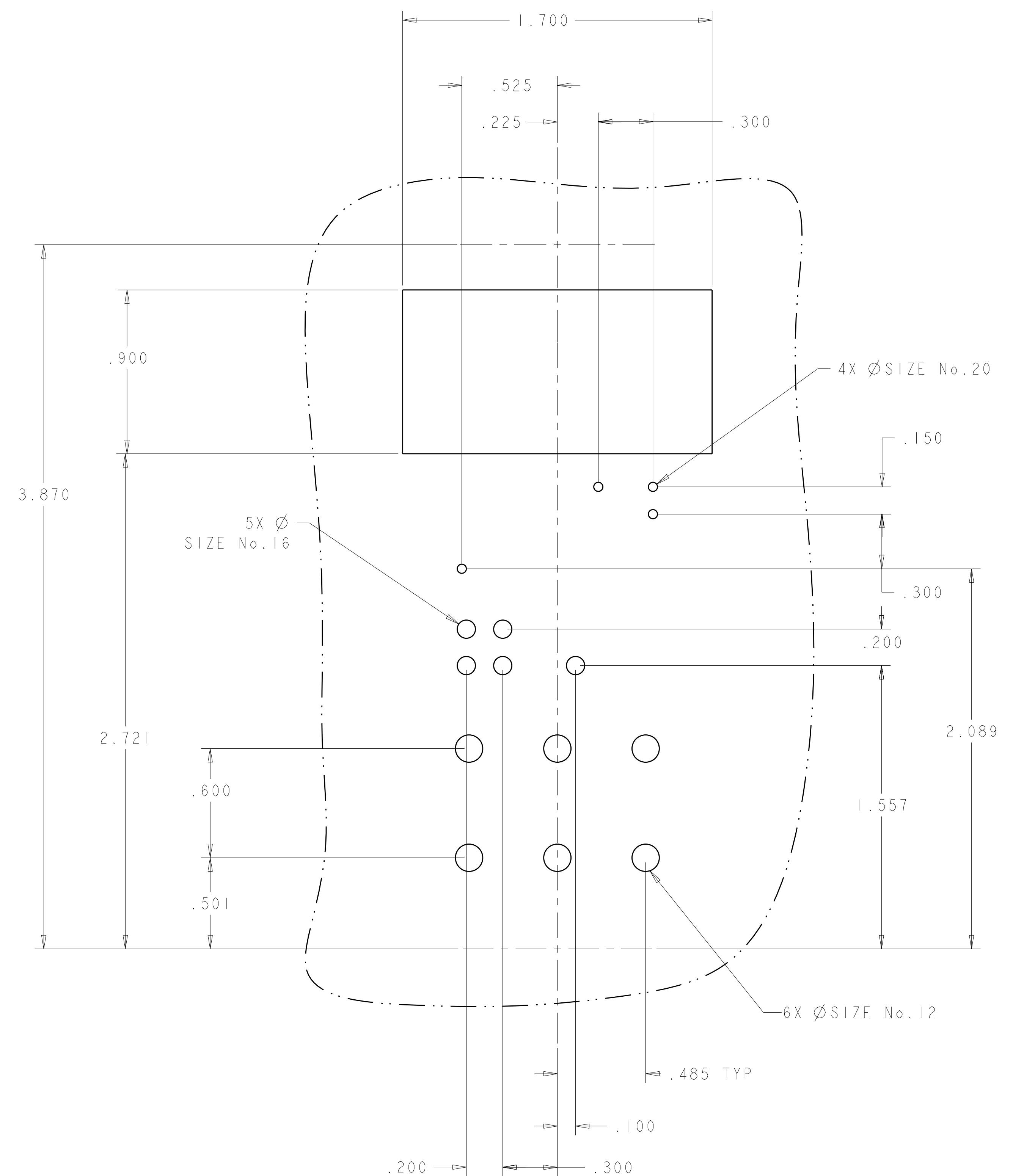
PIN CONTACT (E)  $\Delta$   
 SIZE #12

ITEM	QTY	PART NUMBER	DESCRIPTION	REV
6		1766245-1	CONTACT, PIN, #12, STANDARD, PCB TAIL	E
5		1766242-1	CONTACT, PIN, #16, PREMATE, PCB TAIL	D
4		1650226-1	CONTACT, PIN, #20, POST MATE, PCB TAIL	C
2		1766268-1	CONTACT, PIN, #0, 1/4-20 THD	B
1		1648571-2	CONNECTOR, PIN W/GUIDE PINS	A
-1		PART NUMBER	DESCRIPTION	ITEM

ELCON TOP DRAWER

DIMENSIONS: INCHES TOLERANCES UNLESS OTHERWISE SPECIFIED: 9 PLC ±.005 1 PLC ±.010 2 PLC ±.015 3 PLC ±.020 4 PLC ±.030 ANGLES ±.5°		DWN: R. GRZYBOWSKI CHK: D. ORRIS APVD: M. PERCHERKE		Tyco Electronics Harrisburg, PA 17105-3608	
MATERIAL: - FINISH: -		PRODUCT SPEC: 108-2285 APPLICATION SPEC: 114-13206		NAME: PIN CONNECTOR ASSEMBLY SOLDER TAIL TOP DRAWER	
CUSTOMER DRAWING		WEIGHT: -		SIZE: A   00779   C=2085295 SCALE: 3:1 SHEET 1 OF 2 REV B	

LOC	DIST	REVISIONS					
GP	00	P	LTR	DESCRIPTION	DATE	DWN	APVD
		-	-	SEE SHEET 1	-	-	-



SUGGESTED PC BOARD LAYOUT  
 VIEW FROM CONNECTOR MOUNTING SIDE

HOLE SIZE #12  
 FINISHED HOLE:  $\phi .104 \pm .003$   
 DRILLED HOLE:  $\phi .1065 \pm .0005$   
 COPPER PLATE: .0010 MIN  
 TIN PLATE: .0002 MIN THK.

HOLE SIZE #16  
 FINISHED HOLE:  $\phi .072 \pm .003$   
 DRILLED HOLE:  $\phi .0745 \pm .0005$   
 COPPER PLATE: .0010 MIN  
 TIN PLATE: .0002 MIN THK.

HOLE SIZE #20  
 FINISHED HOLE:  $\phi .047 \pm .003$   
 DRILLED HOLE:  $\phi .0453 \pm .0005$   
 COPPER PLATE: .0010 MIN  
 TIN PLATE: .0002 MIN THK.

- PART NUMBER CHANGES AND OR DESIGN CHANGES AFFECTING THE INTERCHANGEABILITY REQUIRE PRIOR TYCO ELECTRONICS APPROVAL AND AUTHORIZATION BY REVISION TO THIS DRAWING.
- MATERIAL:  
 INSULATOR: THERMOPLASTIC, GLASS REINFORCED, UL 94V-0  
 FLAMMABILITY RATED, COLOR: BLACK  
 PIN CONTACT SIZE No. 0 : COPPER ALLOY  
 PIN CONTACT SIZE No. 12, 16 & 20 : BRASS ALLOY  
 RETENTION CLIP: BERYLLIUM COPPER OR STAINLESS STEEL  
 GUIDE PIN: STAINLESS STEEL
- FINISH:  
 PIN CONTACTS SIZE #0, #16 & #12: SILVER PLATE .000200 MIN THK.  
 OVER NICKEL .000040 MIN THK.  
 PIN CONTACTS SIZE #20: GOLD PLATE .000030 MIN THK.  
 OVER NICKEL .000040 MIN THK.

4. ITEMS PROVIDED TO THIS SPECIFICATION TO BE PERMANENTLY IDENTIFIED PER THE FOLLOWING IDENTIFIER:

YEAR 1 WEEK 1

TYCO ELECTRONICS P/N: XXXXXX-X      DATE CODE (e.g. 0216): XXXX

- SOLDER TAIL CONTACTS (ITEMS C THRU D) ARE INSERTABLE/NON-REMOVABLE  
 SIZE No. 0 (ITEM B) LOADED IN POSN. 1 AND 2  
 SIZE No. 20 (ITEM C) LOADED IN POSN. 3, 5, 11 AND 34  
 SIZE No. 16 (ITEM D) LOADED IN POSN. 39, 40, 43, 45 AND 46  
 SIZE No. 12 (ITEM E) LOADED IN POSN. 47 THRU 52
- SYMBOL INDICATES LOCATION OF GUIDE PINS.

DIMENSIONS: INCHES TOLERANCES UNLESS OTHERWISE SPECIFIED: 9 PLC ± 1 PLC ±.25 2 PLC ±.010 3 PLC ± 4 PLC ± ANGLES ±.45 FINISH:		DWN: R. GRZYBOWSKI 10SEP109 CHK: D. ORRIS 10SEP109 APVD: M. PERCHERKE 10SEP109 PRODUCT SPEC: 108-2285 APPLICATION SPEC: 114-13206 WEIGHT: - CUSTOMER DRAWING	Tyco Electronics Harrisburg, PA 17105-3608 NAME: PIN CONNECTOR ASSEMBLY SOLDER TAIL TOP DRAWER SIZE: A   00779   C=2085295 RESTRICTED TO: - SCALE: 3:1 SHEET 2 OF 2 REV B
--	--	--	--