

---

Issue No. : CE-VFK-CE-22

Date of Issue : September 19, 2006

## ENGINEERING DRAFT

Product Description : Aluminum Electrolytic Capacitor  
Customer Part Number :  
Product Part Number : V type FK series (Anti-Vibration type)  
Country of Origin : Japan, China  
Marking of the Origin : Printed on the packaging label  
Applications : It has the intention of being used for a general electronic circuit given in a notice matter (limitation of a use).  
On the occasion of application other than the above, even person in charge of our company needs to inform in advance.  
Term of Validity : September 18, 2007 from the date of issue

- These specifications are temporary specifications. Ask factory for technical specifications before purchase and / or use.

Capacitor Business Unit  
Panasonic Electronic Devices Co.,Ltd.

25.Kohata-nishinaka..Uji City,  
Kyoto, 611-8585, Japan  
Phone (774)32-1111

Phone :+81-774-33-3209(Direct)  
Fax :+81-774-32-3189

Prepared by : Engineering Group  
Aluminum Engineering Team

Contact Person :  
Signature \_\_\_\_\_  
Name(Print) Haruhiko Handa  
Title : Engineer

Authorized by :  
Signature \_\_\_\_\_  
Name(Print) Hisao Nagara  
Title : Manager

No. 3699215-8Q199

# Panasonic

Design, Specifications are subject to change without notice. Contact your nearest Panasonic sales office for the latest specifications prior to purchase and/or use. Whenever any doubt about safety comes up with this product, please contact us immediately for engineering assistance without fail. Specifications are typical and may not apply to all applications.

Engineering Draft	CE-VFK-CE-22
V type FK series	1

Notice matter

◆ Law and regulation which are applied

- This product complies with the RoHS Directive (Restriction of the use of certain Hazardous Substances in electrical and electronic equipment (DIRECTIVE 2002/95/EC)).
- No Ozone Depleting Chemicals(ODC's), controlled under the Montreal Protocol Agreement, are used in producing this product.
- We do not PBBs or PBDEs as brominated flame retardants.
- All the materials that are used for this product are registered as "Known Chemicals" in the Japanese act "Law Concerning the Examination and Regulation of Manufacture, etc. of Chemical Substances".
- Export procedure which followed export related regulations, such as foreign exchange and a foreign trade method, on the occasion of export of this product Thank you for your consideration.

◆ Limitation of a use

- This capacitor is designed to be used for electronics circuits such as audio/visual equipment, home appliances, computers and other office equipment, optical equipment, measuring equipment and industrial robots.  
High reliability and safety are required [ be / a possibility that incorrect operation of this product may do harm to a human life or property ] more. When use is considered by the use, the delivery specifications which suited the use separately need to be exchanged.

◆ Unless otherwise specified, the product shall conform to JIS 5101-18-2

◆ Country of origin : JAPAN, CHINA

◆ Manufacturing factory : Panasonic Electronic Devices Yamaguchi Co.,Ltd.  
1285, Aza-Sakutaguchi, Oaza-Asada, Yamaguchi City, Yamaguchi  
753-8536 Japan

Panasonic Manufacturing Xiamen Co., Ltd.  
No. 17 Chuang Xin Road, Xiamen Torch Hi-Tech Industrial Development Zone,  
Xiamen, Fujian, China 361000

**Panasonic Electronic Devices Co.,Ltd.**

Design, Specifications are subject to change without notice. Contact your nearest Panasonic sales office for the latest specifications prior to purchase and / or use. Whenever any doubt about safety comes up with this product, please contact us immediately for engineering assistance without fail. Specifications are typical and may not apply to all applications.

## V type FK series

2

1. Scope

Fixed capacitors for use in electronic equipment, Surface Mount Type Aluminum electrolytic capacitors with non-solid electrolyte.

2. Parts number

<u>EEE</u>	<u>FK</u>	<u>OO</u>	<u>OOO</u>	<u>△</u>	<u>V</u>
2-1	2-2	2-3	2-4	2-5	2-6

<u>EEV</u>	<u>FK</u>	<u>OO</u>	<u>OOO</u>	<u>△</u>	<u>V</u>
2-1	2-2	2-3	2-4	2-5	2-6

•2-1 Surface Mount Type Aluminum Electrolytic Capacitor (Lead-Free Products.)

•2-2 FK series    EEEFK\*\*\*\*\*: Size code E to G  
                          EEVFK\*\*\*\*\*: Size code H to K

•2-3 Rated Voltage Code

Voltage code	0J	1A	1C	1E	1V	1H	1J	1K	2A
Rated voltage(V.DC)	6.3	10	16	25	35	50	63	80	100

•2-4 Capacitance Code: Indicate capacitance In  $\mu\text{F}$  by 3 letters. The first 2 figures are actual values and the third denotes the number of zeros.

“R” denotes the decimal point and all figures are the actual number with "R".

ex.  $0.1\mu\text{F} \rightarrow \text{R10}$  ,  $1\mu\text{F} \rightarrow \text{1R0}$  ,  $10\mu\text{F} \rightarrow \text{100}$

•2-5 U : Chip type FK series of expanded capacitance range

\*Products with the case size of  $\phi 8$  to  $\phi 10$  (Size code E to G) are produced only in Japan.

•2-6 Suffix Code for Appearance: Taping Code

V	16.0mm width (Size code "E")
	24.0mm width (Size code "F~G")
	32.0mm width (Size code "H")
	44.0mm width (Size code "J~K")

See the drawing in item 11 for the polarity alignment.

## V type FK series

## Parts lists

Size Code	Taping Part No.	R.V. [V.DC]	Cap. [ $\mu$ F] (120Hz) (20°C)	Tangent of Loss Angle (tan $\delta$ ) max. (120Hz) (20°C)	Leakage Current [ $\mu$ A] max. (After 2 min.)	Impedance [ $\Omega$ ] max. (100kHz) (20°C)	Rated Ripple Current [mA rms] max. (100kHz) (105°C)
E	EEEFK0J331V	6.3	330	0.26	20.7	0.26	300
F	EEEFK0J471V	6.3	470	0.26	29.6	0.16	600
F	EEEFK0J102V	6.3	1000	0.26	63.0	0.16	600
G	EEEFK0J152V	6.3	1500	0.26	94.5	0.08	850
H13	EEVFK0J332V	6.3	3300	0.30	207.9	0.06	1100
J16	EEVFK0J682V	6.3	6800	0.36	428.4	0.035	1800
E	EEEFK1A221V	10	220	0.19	22.0	0.26	300
F	EEEFK1A331V	10	330	0.19	33.0	0.16	600
F	EEEFK1A471V	10	470	0.19	47.0	0.16	600
F	EEEFK1A681V	10	680	0.19	68.0	0.16	600
G	EEEFK1A102V	10	1000	0.19	100.0	0.08	850
H13	EEVFK1A222V	10	2200	0.21	220.0	0.06	1100
J16	EEVFK1A472V	10	4700	0.25	470.0	0.035	1800
K16	EEVFK1A682V	10	6800	0.29	680.0	0.033	2060
E	EEEFK1C221V	16	220	0.16	35.2	0.26	300
F	EEEFK1C331V	16	330	0.16	52.8	0.16	600
F	EEEFK1C471V	16	470	0.16	75.2	0.16	600
G	EEEFK1C681V	16	680	0.16	108.8	0.08	850
H13	EEVFK1C152V	16	1500	0.16	240.0	0.06	1100
J16	EEVFK1C332V	16	3300	0.20	528.0	0.035	1800
K16	EEVFK1C472V	16	4700	0.22	752.0	0.033	2060
E	EEEFK1E101V	25	100	0.14	25.0	0.26	300
F	EEEFK1E151V	25	150	0.14	37.5	0.16	600
F	EEEFK1E221V	25	220	0.14	55.0	0.16	600
F	EEEFK1E331V	25	330	0.14	82.5	0.16	600
G	EEEFK1E471V	25	470	0.14	117.5	0.08	850
H13	EEVFK1E102V	25	1000	0.14	250.0	0.06	1100
J16	EEVFK1E222V	25	2200	0.16	550.0	0.035	1800
K16	EEVFK1E332V	25	3300	0.18	825.0	0.033	2060
F	EEEFK1V101V	35	100	0.12	35.0	0.16	600
F	EEEFK1V151V	35	150	0.12	52.5	0.16	600
F	EEEFK1V221V	35	220	0.12	77.0	0.16	600
G	EEEFK1V331V	35	330	0.12	115.5	0.08	850
H13	EEVFK1V471V	35	470	0.12	164.5	0.06	1100
H13	EEVFK1V681V	35	680	0.12	238.0	0.06	1100
J16	EEVFK1V102V	35	1000	0.12	350	0.035	1800
J16	EEVFK1V152V	35	1500	0.12	525.0	0.035	1800

\*Products with the case size of  $\phi 8$  to  $\phi 10$  (Size code E to G) are produced only in Japan.

## V type FK series

## Parts lists

Size Code	Taping Part No.	R.V. [V.DC]	Cap. [ $\mu$ F] (120Hz) (20°C)	Tangent of Loss Angle (tan $\delta$ ) max. (120Hz) (20°C)	Leakage Current [ $\mu$ A] max. (After 2 min.)	Impedance [ $\Omega$ ] max. (100kHz) (20°C)	Rated Ripple Current [mA rms] max. (100kHz) (105°C)
E	EEEFK1H330V	50	33	0.10	16.5	0.68	195
E	EEEFK1H470V	50	47	0.10	23.5	0.68	195
F	EEEFK1H101V	50	100	0.10	50.0	0.34	350
G	EEEFK1H151V	50	150	0.10	75.0	0.18	670
G	EEEFK1H221V	50	220	0.10	110.0	0.18	670
H13	EEVFK1H331V	50	330	0.10	165.0	0.12	900
H13	EEVFK1H391V	50	390	0.10	195.0	0.12	900
J16	EEVFK1H471V	50	470	0.10	235.0	0.073	1610
J16	EEVFK1H681V	50	680	0.10	340.0	0.073	1610
J16	EEVFK1H102V	50	1000	0.10	500.0	0.073	1610
E	EEEFK1J220V	63	22	0.08	13.8	1.2	120
F	EEEFK1J330V	63	33	0.08	20.7	0.65	250
F	EEEFK1J470V	63	47	0.08	29.6	0.65	250
F	EEEFK1J680UV	63	68	0.08	42.8	0.65	250
G	EEEFK1J101V	63	100	0.08	63.0	0.35	400
H13	EEVFK1J151V	63	150	0.08	94.5	0.16	800
H13	EEVFK1J221V	63	220	0.08	138.6	0.16	800
J16	EEVFK1J471V	63	470	0.08	296.1	0.082	1410
K16	EEVFK1J681V	63	680	0.08	428.4	0.08	1690
E	EEEFK1K100V	80	10	0.08	8.0	2.4	60
F	EEEFK1K220V	80	22	0.08	17.6	1.3	130
F	EEEFK1K330V	80	33	0.08	26.4	1.3	130
G	EEEFK1K470V	80	47	0.08	37.6	0.7	200
H13	EEVFK1K680V	80	68	0.08	54.4	0.32	500
H13	EEVFK1K101V	80	100	0.08	80.0	0.32	500
H13	EEVFK1K151V	80	150	0.08	120.0	0.32	500
J16	EEVFK1K331V	80	330	0.08	264.0	0.17	793
K16	EEVFK1K471V	80	470	0.08	376.0	0.153	917
F	EEEFK2A220V	100	22	0.07	22.0	1.3	130
G	EEEFK2A330V	100	33	0.07	33.0	0.7	200
H13	EEVFK2A470V	100	47	0.07	47.0	0.32	500
H13	EEVFK2A680V	100	68	0.07	68.0	0.32	500
J16	EEVFK2A101V	100	100	0.07	100.0	0.17	793
J16	EEVFK2A151V	100	150	0.07	150.0	0.17	793
K16	EEVFK2A221V	100	220	0.07	220.0	0.153	917
K16	EEVFK2A331V	100	330	0.07	330.0	0.153	917

\*Products with the case size of  $\phi 8$  to  $\phi 10$  (Size code E to G) are produced only in Japan.

Panasonic Electronic Devices Co.,Ltd.

Can Size [Size code]

Cap.( $\mu$ F) \ V.DC	6.3	10	16	25	35	50	63	80	100
10								E	
22							E	F	F
33						E	F	F	G
47						E	F	G	H13
68							(F)	H13	H13
100				E	F	F	G	H13	J16
150				F	F	G	H13	H13	J16
220		E	E	F	F	G	H13		K16
330	E	F	F	F	G	H13		J16	K16
390						H13			
470	F	F	F	G	H13	J16	J16	K16	
680		F	G		H13	J16	K16		
1000	F	G		H13	J16	J16			
1500	G		H13		J16				
2200		H13		J16					
3300	H13		J16	K16					
4700		J16	K16						
6800	J16	K16							

( ) is applied to expanded capacitance range.

[mm]

Size code E:  $\phi 8 \times 6.5L$ F:  $\phi 8 \times 10.5L$ G:  $\phi 10 \times 10.5L$ H13:  $\phi 12.5 \times 13.8L$ J16:  $\phi 16 \times 16.8L$ K16:  $\phi 18 \times 16.8L$ \*Products with the case size of  $\phi 8$  to  $\phi 10$  (Size code E to G) are produced only in Japan.

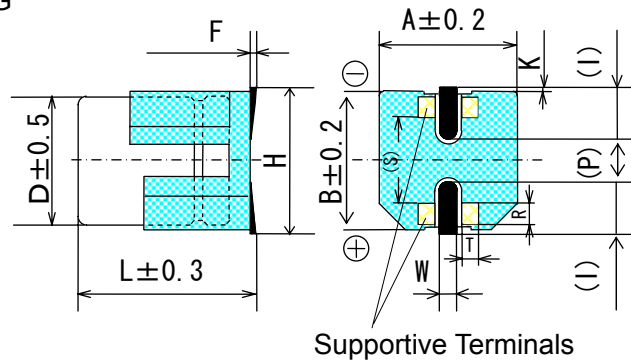
Panasonic Electronic Devices Co.,Ltd.

## V type FK series

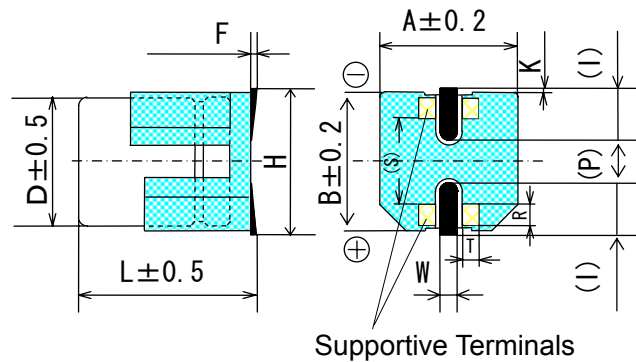
## 3. Dimensions

[mm]

Size code "E~G"



Size code "H~K"

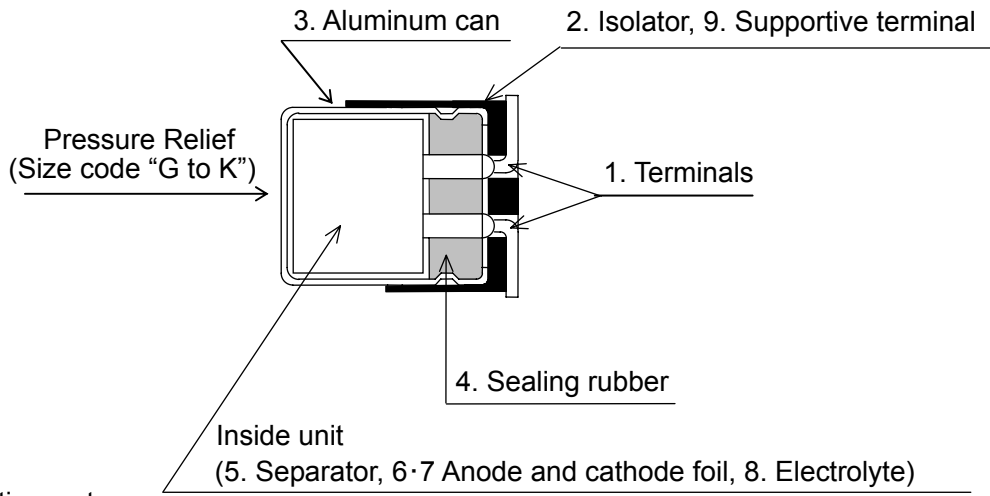


Size Code	φD	L	A,B	H	F	I	W	P	K	R	S	T
E	8.0	6.5	8.3	9.5max	-0.1 ~ +0.15	3.4	0.7±0.1	2.2	0.35 <sup>+0.15</sup> <sub>-0.20</sub>	0.70±0.2	5.3±0.2	1.7±0.2
F	8.0	10.5	8.3	10.0max	-0.1 ~ +0.15	3.4	1.2±0.2	3.1	0.70±0.2	0.70±0.2	5.3±0.2	1.3±0.2
G	10.0	10.5	10.3	12.0max	-0.1 ~ +0.15	3.5	1.2±0.2	4.6	0.70±0.2	0.70±0.2	6.9±0.2	1.3±0.2
H13	12.5	13.8	13.5	15.0max	-0.1 ~ +0.15	4.7	1.2±0.3	4.4	0.70±0.3	2.2±0.2	7.1±0.2	2.4±0.2
J16	16	16.8	17.0	19.0max	-0.1 ~ +0.15	5.5	1.4±0.2	6.7	0.70±0.3	3.0±0.2	9.0±0.2	1.9±0.2
K16	18	16.8	19	21.0max	-0.1 ~ +0.15	6.7	1.4±0.2	6.7	0.70±0.3	3.0±0.2	11.0±0.2	1.9±0.2

\*Products with the size code of E to G are produced only in Japan.

4. Constructions

4-1 Inside Construction



4-2 Construction parts

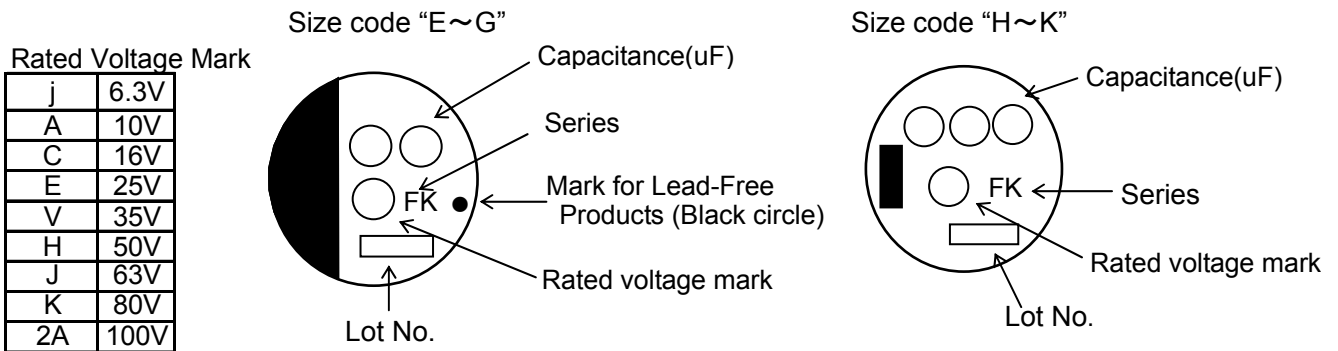
Parts	Materials	Parts	Materials
1 Terminal	Bi contained tin plated Tinned Copper-Clad Steel wire ( $\leq \phi 10$ )	6 Anode Foil	High Purity Aluminum Foil
	Tinned Copper-Clad Steel wire ( $\geq \phi 12.5$ )	7 Cathode Foil	Aluminum Foil
2 Isolator	Thermo-plastic Resin	8 Electrolyte	Main Solvent $\gamma$ -Butyrolactone
3 Aluminum Can	Aluminum		Main Solute Amidine salt ( $\leq 63V$ )
4 Sealing Rubber	Synthetic rubber (IIR)		Organic acid Tertiary ammonium salt ( $\geq 80V$ )
5 Separator	Manila hemp	9 Supportive terminal	Ni plated - 42alloy

5. Marking

Marking Color : BLACK

Following items shall be marked on the body of Capacitor.

- a ) Rated Voltage Mark
- b ) Capacitance
- c ) Negative Polarity
- d ) Series Mark
- e ) Lot No. (It indicates to Lot No. System)
- f ) Mark for Lead-Free Products. (Black Circle: Size code B to G only)





For those made in JAPAN (Chip Type)

A lot No. shall be given on the bottom of a case in the following way.

Size Code (E~G)

Style 1.

2	A	8
---	---	---

Indicating that the product was produced in Aug. 2002, under a line A.

month(1 to 9 and O for October, N for November, D for December)

line code in alphabet (A to Z)

last number of year(2002=2)

Size Code (H13~K21)

Style 2.

2	3	B	A
---	---	---	---

Indicating that the product was produced in 1, Mar. 2002,  
under a line B

day(A to Z for 1st~26th and 1 to 5 for 27th~31st)

line code in alphabet (A to Z)

month (1 to 9 and O for October, N for November, D for December)

last number of year(2002=2)

For those made in CHINA (Chip Type)

Size Code (H13~K21)

5	J	3	A
---	---	---	---

Indicating that the product was produced in 1, Mar. 2005,  
under a line J

day(A to Z for 1st~26th and 1 to 5 for 27th~31st)

month (1 to 9 and O for October, N for November, D for December)

line code in alphabet (A to Z)

last number of year(2005=5)

production year	production month		production date	
2:2002	1:January	7:July	A=1 date	1=27 date
3:2003	2:February	8:August	B=2	2=28
4:2004	3:March	9:September	C=3	3=29
5:2005	4:April	O:October	~	4=30
Indicating with the last digit or the last 2 digits of a year.	5:May	N:November	Y=25	5=31
	6:June	D:December	Z=26	

**Panasonic Electronic Devices Co.,Ltd.**

6. Standard rating

No	Item	Ratings									
1	Category Temperature Range	-55°C ~ +105°C									
2	Rated Voltage Range	6.3 V.DC ~ 100 V.DC									
3	Capacitance Range	10 μF ~ 6800 μF (120Hz 20°C)									
4	Capacitance Tolerance	±20% (120Hz 20°C)									
5	Surge Voltage (V.DC)	R.V.	6.3	10	16	25	35	50	63	80	100
		S.V.	8	13	20	32	44	63	79	100	125
6	Rated Ripple Current	Parts lists and Table 3									
7	Impedance	Parts lists									

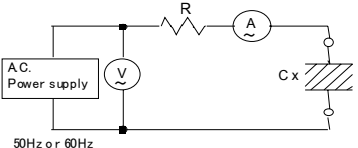
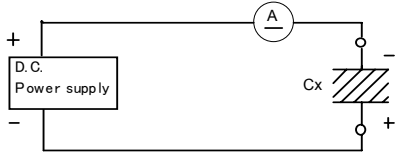
**Panasonic Electronic Devices Co.,Ltd.**

## 7. Performance Characteristics

No	Item	Performance Characteristics	Test																		
1	Leakage Current	$\leq I=0.01CV$ or $3\mu A$ whichever is the greater. ( I:Leakage current C:Capacitance ) ( V:Rated voltage )	Series Resistor : $1000\Omega\pm 10\Omega$ Applied Voltage : Rated voltage Measuring : After 2 minutes																		
2	Capacitance	Within the specified capacitance tolerance.	Measuring Frequency : $120\text{Hz}\pm 20\%$ Measuring Circuit : Equivalent series circuit Measuring Voltage : $+1.5\text{ V.DC} \sim +2\text{ V.DC}$ ( $\leq 0.5\text{ V}$ for A.C.)																		
3	Tangent of Loss Angle (tan $\delta$ )	Less than the table 1 value of item 8. Added 0.02 per $1000\mu F$ for items with over $1000\mu F$ .	Measuring Frequency : $120\text{Hz}\pm 20\%$ Measuring Circuit : Equivalent series circuit Measuring Voltage : $+1.5\text{ V.DC} \sim +2\text{ V.DC}$ ( $\leq 0.5\text{ V}$ for A.C.)																		
4	Charact-eristics at High and Low Temperature	Step 2 Impedance Ratio: Less than the table 2 value of item 8 ratio against step 1.	<table border="1"> <thead> <tr> <th>Step</th> <th>Test Temperature(°C)</th> <th>Time</th> </tr> </thead> <tbody> <tr> <td>1</td> <td><math>20\pm 2</math></td> <td>—</td> </tr> <tr> <td>2</td> <td><math>-25\pm 3, -40\pm 3, -55\pm 3</math></td> <td>30 min</td> </tr> <tr> <td>3</td> <td><math>20\pm 2</math></td> <td>10 min ~ 15 min</td> </tr> <tr> <td>4</td> <td><math>105\pm 2</math></td> <td>30 min</td> </tr> <tr> <td>5</td> <td><math>20\pm 2</math></td> <td>10 min ~ 15 min</td> </tr> </tbody> </table> Impedance should be measured $120\text{Hz}\pm 10\%$ .	Step	Test Temperature(°C)	Time	1	$20\pm 2$	—	2	$-25\pm 3, -40\pm 3, -55\pm 3$	30 min	3	$20\pm 2$	10 min ~ 15 min	4	$105\pm 2$	30 min	5	$20\pm 2$	10 min ~ 15 min
		Step		Test Temperature(°C)	Time																
1	$20\pm 2$	—																			
2	$-25\pm 3, -40\pm 3, -55\pm 3$	30 min																			
3	$20\pm 2$	10 min ~ 15 min																			
4	$105\pm 2$	30 min																			
5	$20\pm 2$	10 min ~ 15 min																			
Step 4 Leakage Current: $\leq 800\%$ of the value of item 7.1. Capacitance Change: Within $\pm 25\%$ of the value in step 1. Tangent of Loss Angle (tan $\delta$ ): $\leq$ the value of item 7.3.																					
5	Surge	Leakage Current: $\leq$ the value of item 7.1. Capacitance Change: Within $\pm 15\%$ of initial measured value. Tangent of Loss Angle (tan $\delta$ ): $\leq$ the value of item 7.3. Appearance: No significant change can be observed.	Test temperature : $15^\circ\text{C} \sim 35^\circ\text{C}$ Series Protective Resistance : $R = \frac{100 \pm 50}{C}$ ( R: Protective resistance(k $\Omega$ ) ) ( C: Capacitance( $\mu F$ ) ) Test voltage : Surge voltage item 6.5 Applied voltage 1000 cycles of $30\text{s}\pm 5\text{s}$ "ON" and 5 min 30 s "OFF".																		
6	Robustness of Termination (Tensile)	There is no damage or breakage after test.	After fixing the capacitors, the terminals are pulled in a vertical direction. Load is gradually increased until it reached the value specified below and held for 10 seconds. <table border="1"> <tr> <td>Pull Strength</td> <td>10N</td> </tr> <tr> <td>Keep time</td> <td><math>10\text{s}\pm 1\text{s}</math></td> </tr> </table>	Pull Strength	10N	Keep time	$10\text{s}\pm 1\text{s}$														
Pull Strength	10N																				
Keep time	$10\text{s}\pm 1\text{s}$																				

## V type FK series

No	Item	Performance Characteristics	Test
7	Anti-vibration performance	Capacitance : During test, measured value shall be stabilized.(Measured several times within 30 min. before completion of test) Appearance : No significant change can be observed. Capacitance Change : Within $\pm 5\%$ of initial measured value.	Acceleration : $294 \text{ m/s}^2$ (30G) Frequency : 5Hz to 2000Hz Amplitude : 5 mmMAX(peak to peak) Direction and duration of vibration : It is done in the X,Y,Z axis direction for 2 hours each, with a total of 6 hours.
8	Solderability	More than 95% of the terminal surface shall be covered with new solder. ( Exclude the cross-section of cutting lead edge. )	Solder Type : H60A,H60S,or H63A(JIS Z3282) Solder Temperature : $235^{\circ}\text{C}\pm 5^{\circ}\text{C}$ Immersing Time : $2\text{s}\pm 0.5\text{s}$ Immersing Depth : Dip the terminals for Approx. 0.5mm~1mm thick Flux : Approx 25% rosin(JIS K5902) in Ethanol(JIS K8101)
9	Resistance to Soldering heat	Leakage Current : $\leq$ the value of item 7.1. Capacitance Change : Within $\pm 10\%$ of initial measured value. Tangent of Loss Angle ( $\tan\delta$ ) : $\leq$ the value of item 7.3. Appearance : No significant change can be observed.	After reflow soldering (item 9) The capacitor shall be left at room temperature for before measurement.
10	Solvent Resistance of the Marking	There shall be no damage and legibly marked. Marking can be deciphered easily.	Class of Reagent : Isopropyl Alcohol Test Temperature : $20^{\circ}\text{C}\sim 25^{\circ}\text{C}$ Immersing time : $30\text{s}\pm 5\text{s}$
11	Damp Heat (steady state)	Leakage Current : $\leq$ the value of item 7.1. Capacitance Change : Within $\pm 15\%$ of initial measured value. Tangent of Loss Angle ( $\tan\delta$ ) : $\leq 120\%$ the value of item 7.3. Appearance : No significant change can be observed.	Test Temperature : $40^{\circ}\text{C}\pm 2^{\circ}\text{C}$ Relative Humidity : 90%~95% Test Duration : 240hours $\pm 8$ hours  After subjected to the test, the capacitors shall be left for 2 hours at room temperature and room humidity prior to the measurement.

No	Item	Performance Characteristics	Test																				
12	Pressure Relief (Size code "G ~ K")	Pressure relief shall be operated without any hazardous expulsion or emission of flame. No emission of gas after 30 minutes of the voltage application also meets the specification.	<p>• A.C. Current Method</p>  <p>50Hz or 60Hz                      (A) :A.C. ammeter    R :Series resistor                      (V) :A.C. voltmeter    Cx :Tested capacitor</p> <p>Applied Voltage :                      A.C. voltage equals to R.V. x 0.7 or 250 V(rms) whichever is smaller.</p> <table border="1" data-bbox="912 683 1465 907"> <thead> <tr> <th>Capacitance (μF)</th> <th>D.C. resistance(Ω)</th> </tr> </thead> <tbody> <tr> <td>≤ 1</td> <td>1000±100</td> </tr> <tr> <td>&gt; 1    ≤ 10</td> <td>100±10</td> </tr> <tr> <td>&gt; 10    ≤ 100</td> <td>10±1</td> </tr> <tr> <td>&gt; 100    ≤ 1000</td> <td>1±0.1</td> </tr> <tr> <td>&gt; 1000    ≤ 10000</td> <td>0.1±0.01</td> </tr> <tr> <td>&gt; 10000</td> <td>※</td> </tr> </tbody> </table> <p>* When capacitance is over 10000μF, the value of series resistance equals to the half of the tested capacitor's impedance.</p> <p>• Reverse Voltage Method</p>  <p>(A) :D.C. ammeter    Cx :Tested capacitor</p> <table border="1" data-bbox="912 1265 1465 1355"> <thead> <tr> <th>Nominal Diameter (mm)</th> <th>D.C. Current(A)</th> </tr> </thead> <tbody> <tr> <td>≤ 22.4</td> <td>1 (const)</td> </tr> <tr> <td>&gt; 22.4</td> <td>10 (const)</td> </tr> </tbody> </table>	Capacitance (μF)	D.C. resistance(Ω)	≤ 1	1000±100	> 1    ≤ 10	100±10	> 10    ≤ 100	10±1	> 100    ≤ 1000	1±0.1	> 1000    ≤ 10000	0.1±0.01	> 10000	※	Nominal Diameter (mm)	D.C. Current(A)	≤ 22.4	1 (const)	> 22.4	10 (const)
Capacitance (μF)	D.C. resistance(Ω)																						
≤ 1	1000±100																						
> 1    ≤ 10	100±10																						
> 10    ≤ 100	10±1																						
> 100    ≤ 1000	1±0.1																						
> 1000    ≤ 10000	0.1±0.01																						
> 10000	※																						
Nominal Diameter (mm)	D.C. Current(A)																						
≤ 22.4	1 (const)																						
> 22.4	10 (const)																						

No	Item	Performance characteristics	Test
13	Endurance	Leakage Current : $\leq$ the value of item 7.1. Capacitance change : Within $\pm 30\%$ of initial measured value. Tangent of Loss Angle ( $\tan\delta$ ): $\leq 200\%$ of the value of item 7.3. Appearance : No significant change can be observed.	Test Temperature : $105^{\circ}\text{C}\pm 2^{\circ}\text{C}$ Test Duration : $2000^{+72}_0$ hours Applied Voltage : Rated voltage  After subjected to the test, the capacitors shall be left at room temperature and room humidity for 2 hours prior to the measurement.
14	Shelf Life	Leakage Current : $\leq$ the value of item 7.1. Capacitance Change : Within $\pm 30\%$ of initial measured value. Tangent of Loss Angle ( $\tan\delta$ ) : $\leq 200\%$ of the value of item 7.3. Appearance : No significant change can be observed.	Test Temperature : $105^{\circ}\text{C}\pm 2^{\circ}\text{C}$ Test Duration : $1000^{+48}_0$ hours  After subjected to the test, D.C. rated voltage shall be applied to the capacitors for 30 minutes as post-test treatment after left at the room temperature and humidity for 2 hours prior to the measurement.

\* Voltage treatment : The rated voltage shall be applied to the capacitors, which are connected to series protective resistors ( $1000\Omega\pm 10\Omega$ ), for 30 minutes as a posttest treatment (performing discharge).

## 8. Other Characteristics

■ Table 1. Tangent of Loss Angle( $\tan\delta$ )

R.V.(V D.C.)	6.3	10	16	25	35	50	63	80	100
D.F.( $\tan\delta$ )	0.26	0.19	0.16	0.14	0.12	0.10	0.08	0.08	0.07

Added 0.02 per 1000 $\mu\text{F}$  for items with over 1000 $\mu\text{F}$  items.

■ Table 2. Characteristics at low temperature Impedance ratio (at 120Hz)

R.V.(V D.C.)	6.3	10	16	25	35	50	63	80	100
Z(-25°C)/Z(20°C)	2	2	2	2	2	2	2	2	2
Z(-40°C)/Z(20°C)	3	3	3	3	3	3	3	3	3
Z(-55°C)/Z(20°C)	4	4	4	3	3	3	3	3	3

■ Table 3. Frequency Correction Factor of Rated Ripple Current

	Frequency (Hz)				
	50,60	120	1k	10k	100k~
Coefficient	0.70	0.75	0.90	0.95	1.00

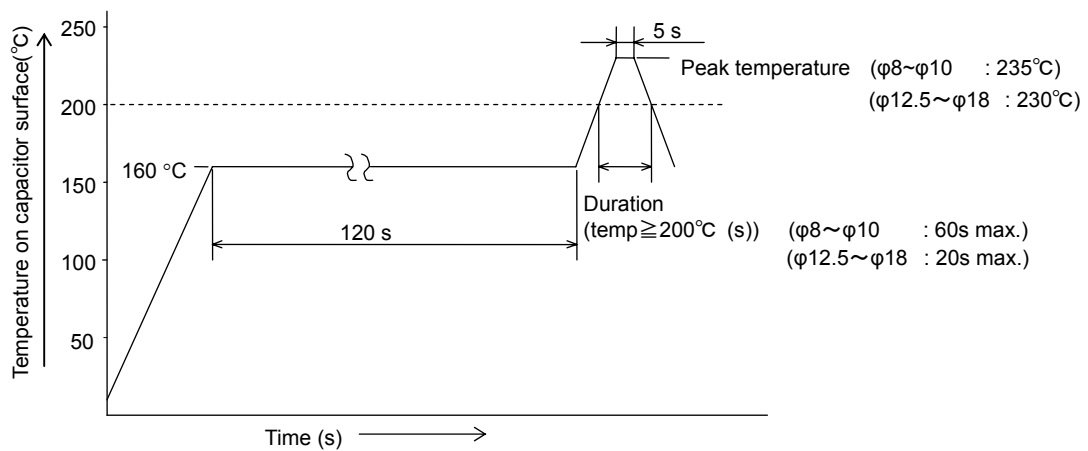
9. Reflow Soldering Temperature Profile

After the capacitor is subjected to the specified reflow soldering, (see the temperature profile below), it shall Meet the condition stated in the item 7 No.9.

## &lt;Reflow soldering condition&gt;

The temperature shall be measured with thermal couple (type K,  $\phi$  0.1mm) which shall be placed and fixed on the top of capacitor body.

## Maximum Permissible Reflow Soldering Temperature Profile



\* Soldering Method : I.R. or I.R. + heated air.  
(VPS Method is not Available.)

**Panasonic Electronic Devices Co.,Ltd.**

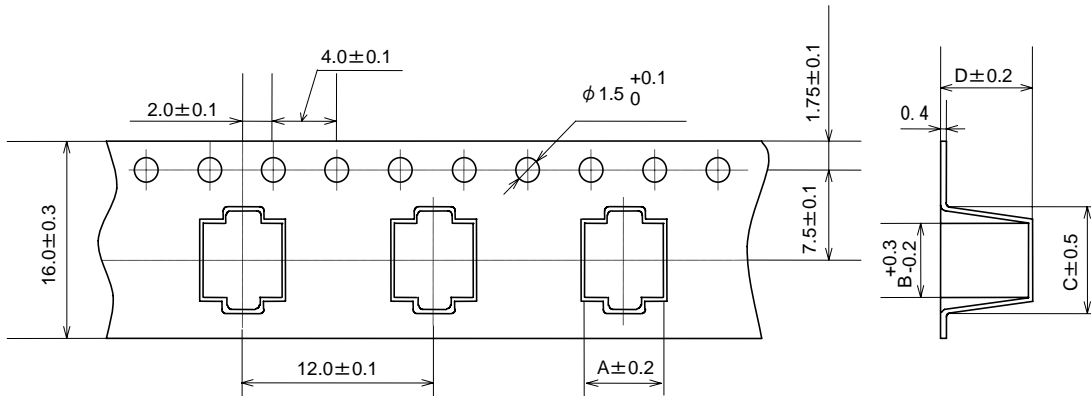
V type FK series

10. Taping

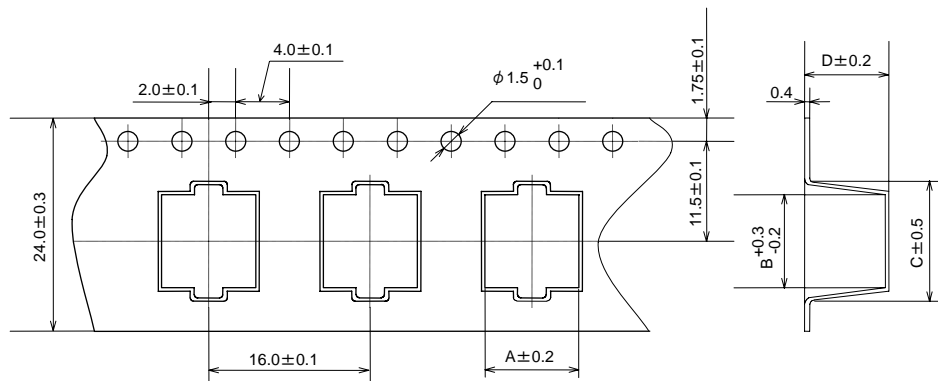
10-1 Carrier Tape

Size code E

[mm]



Size code F,G



[mm]

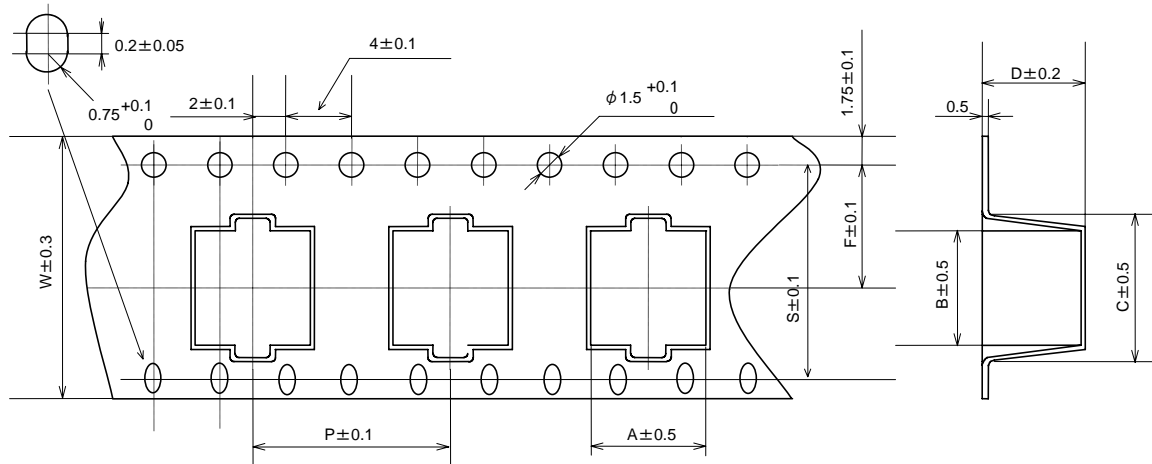
Size Code	A	B	C	D
E	8.7	8.7	11.4	6.8
F	8.7	8.7	12.5	11.0
G	10.7	10.7	14.5	11.0

\* Dimensions of A and B are measured at the bottom of the embossed part.



Size code "H~K"

[mm]



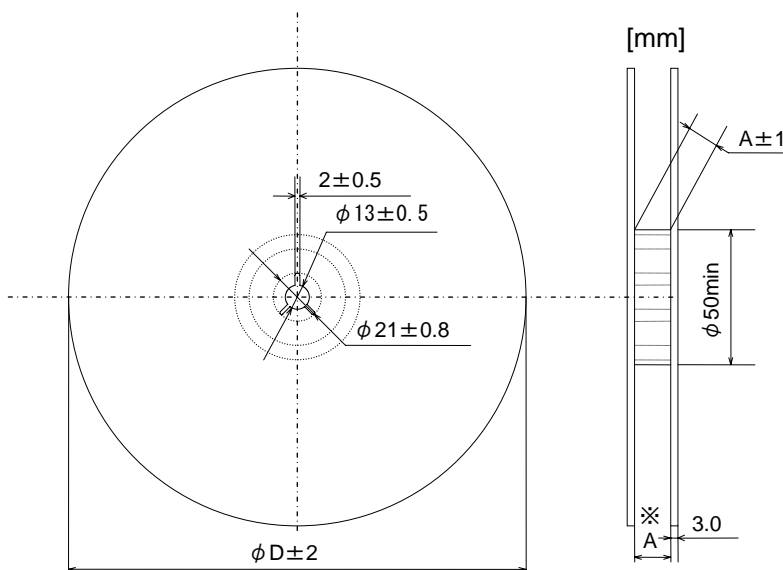
[mm]

Size Code	Taping Dimension							
	A	B	C	D	F	P	S	W
H13	14.0	14.0	18.0	14.5	14.2	24.0	28.4	32.0
J16	17.5	17.5	23.0	17.5	20.2	28.0	40.4	44.0
K16	19.5	19.5	26.0	17.5	20.2	32.0	40.4	44.0

\* Dimensions of A and B are measured at the bottom of the embossed part.

10-2 Reel

[mm]



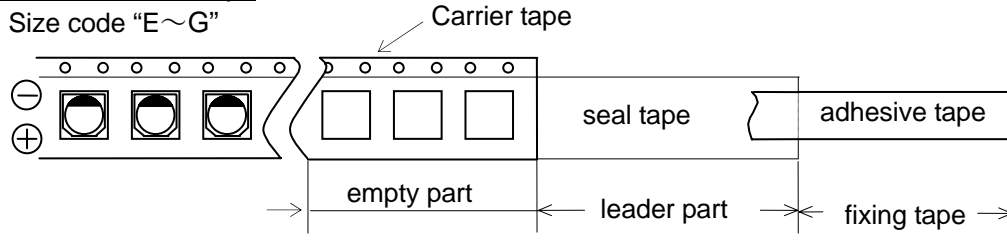
Size Code	Reel Width(A)	φ D
E	18	380
F	26	380
G	26	380
H	34	330
J,K	46	330

※ The A dimension at the edge of flange shall be less than 1.5 times of the specified value.

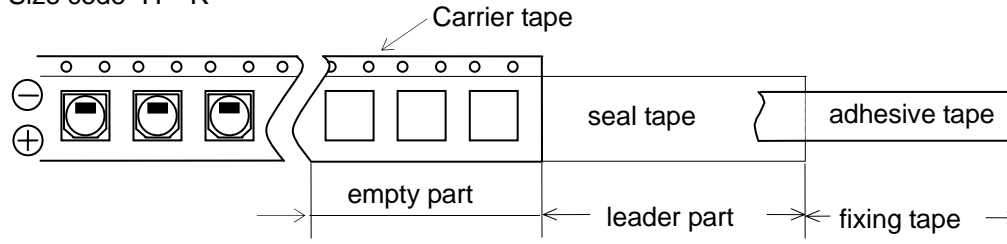
V type FK series

11. Details of Carrier Tape

Size code "E~G"



Size code "H~K"

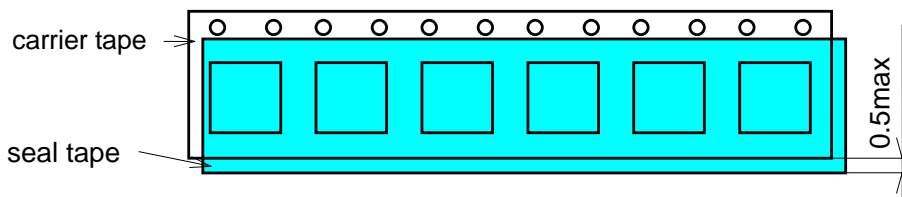


(1)

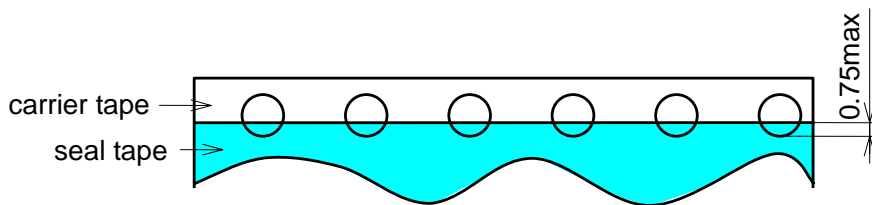
- a. Last reeling empty part of carrier tape shall be more than 10 cm.
- b. Leader part of seal tape shall be more than 20 cm.
- c. First reeling Empty part of carrier tape shall be more than 10 cm.
- d. Adhesive tape fixing the end of the leader part shall be approx, 10 cm.

(2) Deviation between carrier tape and seal tape.

- a. Deviation between carrier tape and seal tape shall be less than 0.5 mm.



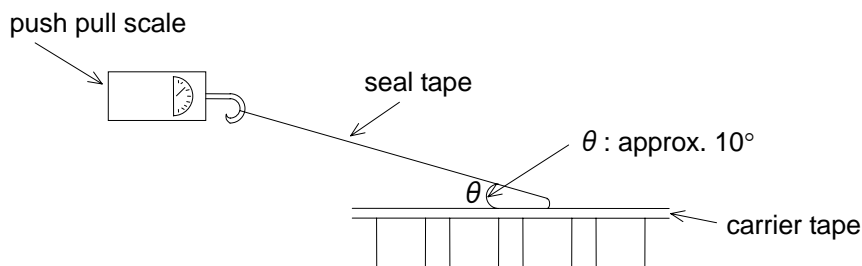
- b. Seal tape shall not cover on the feeding holes more than 0.75 mm.



12. Adhesion Test

Reasonable pulling strength: 0.1N~0.7 N

Pulling speed: 300 mm / min



Panasonic Electronic Devices Co.,Ltd.

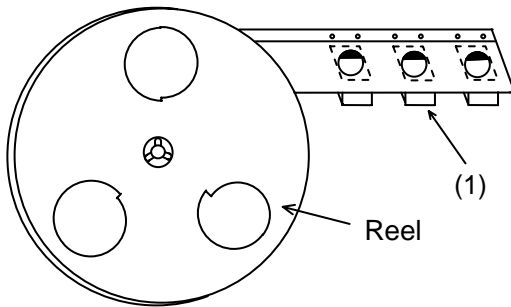
## V type FK series

18

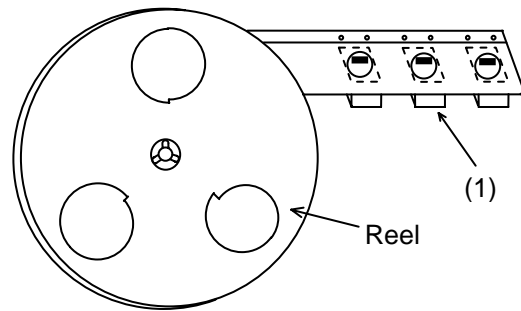
13. Packing Style

- (1) Carrier tape shall be reeled inside. (seal tape shall be outside)
- (2) End of the tape shall be inside to the reel physically as shown in the below figure and leader part of seal tape shall not be attached.

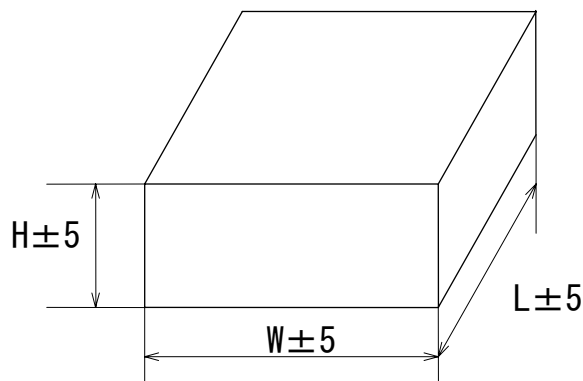
Size code "E~G"



Size code "H~K"

14. Dimensions of Outer Carton Box

Dimensions of outer carton box are subject to change without Notice for adjustment to Reel Size.



Size Code	[mm]	
	H	W,L
E	250	395
F	220	395
G	220	395
H	210	350
J,K	230	350

15. Packaging quantity

Size Code	One reel (pcs.)	One outer carton box (reel)	Total quantity (pcs.)
E	1000	10	10000
F	500	6	3000
G	500	6	3000
H13	200	5	1000
J16	125	4	500
K16	125	4	500

\* Let an order unit be 1 reel unit.

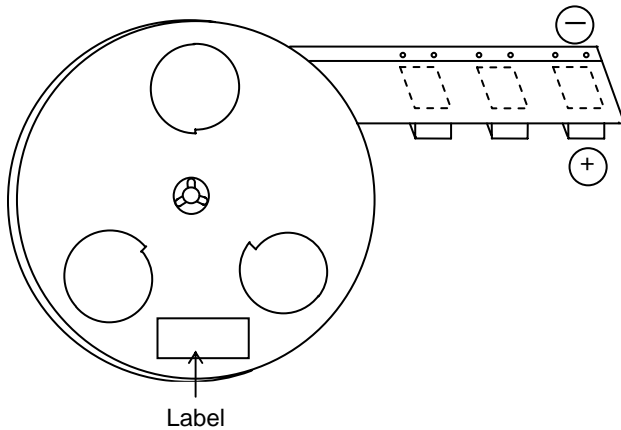
**Panasonic Electronic Devices Co.,Ltd.**

16.Package Label ExampleLabel information on the Packaging Box

The label has following information in English

- a) Rated Voltage, Capacitance
- b) Manufacturer's Trademark
- c) Part Number
- d) Packing Quantity
- e) Serial No.
- f) Manufacturer's Name
- g) Country of Origin

## 16-1 A display to a reel



## Contents of label description

- (1) Customer Part No.
- (2) Quantity
- (3) Rated Capacitance
- (4) Voltage
- (5) Can Size
- (6) Product Part No.

\*The example of a label

<JAPAN PRODUCTS> (Size code "E~K")

Customer Part No.		(1)	G
(3N) 1	(1)	(2)	
Y5201R41A001		108010	
FIXED ALUMINIUM ELECTROLYTIC CAPACITOR			(2) PCS.
(3) uF	(4) V	(6)	
(5) $\phi$ x L			
Serial No. Y5201R41A001		Panasonic Electronic Devices Co., Ltd.	
<b>Panasonic</b>	(M)	EIAJ C-3	MADE IN JAPAN 0 0 1

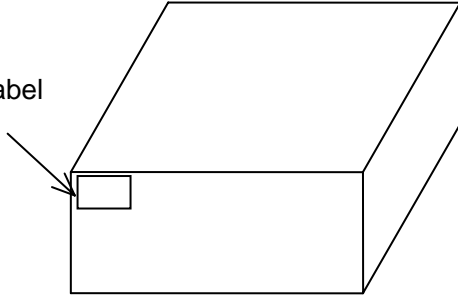
<CHINA PRODUCTS> (Size code "H~K")

Customer Part No.		(1)	G
(3N) 1	(1)	(2)	
45201R41A001		108010	
FIXED ALUMINIUM ELECTROLYTIC CAPACITOR			(2) PCS.
(3) uF	(4) V	(6)	
(5) $\phi$ x L			
Serial No. 45201R41A001		Panasonic Manufacturing (Xiamen) Co., Ltd.	
<b>Panasonic</b>	(M)	EIAJ C-3	MADE IN CHINA 0 0 1

**Panasonic Electronic Devices Co., Ltd.**

## 16-2 Outer Box

Label



\*The example of a label  
 <JAPAN PRODUCTS> (Size code "E~K")

Customer Part No.		G
(1)		
(3N) 1	(1)	(2)
(3N) 2	Y5201R41A001	108010
FIXED ALUMINIUM ELECTROLYTIC CAPACITOR		
(6)	(3) $\mu$ F	(4) V
(2)	(5) $\phi \times L$	
(2)	PCS.	
		Serial No. Y5201R41A001
Panasonic Electronic Devices Co., Ltd.		
<b>Panasonic</b> (M)		MADE IN JAPAN EIAJ C-3 0 0 1

<CHINA PRODUCTS> (Size code "H~K")

Customer Part No.		G
(1)		
(3N) 1	(1)	(2)
(3N) 2	45201R41A001	108010
FIXED ALUMINIUM ELECTROLYTIC CAPACITOR		
(6)	(3) $\mu$ F	(4) V
(2)	(5) $\phi \times L$	
(2)	PCS.	
		Serial No. 45201R41A001
Panasonic Manufacturing (Xiamen) Co., Ltd.		
<b>Panasonic</b> (M)		MADE IN CHINA EIAJ C-3 0 0 1

## Contents of label description

- (1) Customer Part No.
- (2) Quantity
- (3) Rated Capacitance
- (4) Voltage
- (5) Can Size
- (6) Product Part No.

Panasonic Electronic Devices Co., Ltd.

## Application Guidelines

- \* This specification guarantees the quality and performance of the product as individual components.  
Before use, check and evaluate their compatibility with installed in your products.
- \* Do not use the products beyond the specifications described in this document.
- \* Install the following systems for a failsafe design to ensure safety if these products are to be used in equipment where a defect in these products may cause the loss of human life or other significant damage, such as damage to vehicles (automobile, train, vessel), traffic lights, medical equipment, aerospace equipment, electric heating appliances, combustion/ gas equipment, rotating equipment, and disaster/crime prevention equipment.
  - The system is equipped with a protection circuit and protection device.
  - The system is equipped with a redundant circuit or other system to prevent an unsafe status in the event of a single fault.
- \* Before using the products, carefully check the effects on their quality and performance, and determined whether or not they can be used.  
These products are designed and manufactured for general-purpose and standard use in general electronic equipment.  
These products are not intended for use in the following special conditions.
  1. In liquid, such as Water, Oil, Chemicals, or Organic solvent
  2. In direct sunlight, outdoors, or in dust
  3. In vapor, such as dew condensation water of resistive element, or water leakage, salty air, or air with a high concentration corrosive gas, such as Cl<sub>2</sub>, H<sub>2</sub>S, NH<sub>3</sub>, SO<sub>2</sub>, or NO<sub>2</sub>
  4. In an environment where strong static electricity or electromagnetic waves exist
  5. Mounting or placing heat-generating components or inflammables, such as vinyl-coated wires, near these products
  6. Sealing or coating of these products or a printed circuit board on which these products are mounted, with resin and other material
  7. Using solvent, water or water-soluble cleaner for flux cleaning agent after soldering.  
(In particular, when using water or a water-soluble cleaning agent, be careful not to leave water residues)
- \* Please arrange circuit design for preventing impulse or transitional voltage.  
Do not apply voltage, which exceeds the full rated voltage when the capacitors receive impulse voltage, instantaneous high voltage, high pulse voltage etc.
- \* Electrolyte is used in the products. Therefore, misuse can result in rapid deterioration of characteristics and functions of each product.  
Electrolyte leakage damages printed circuit and affects performance, characteristics, and functions of customer system.

**1. Circuit Design****1.1 Operating Temperature and Frequency**

Electrical parameters for electrolytic capacitors are normally specified at 20 °C temperature and 120 Hz frequency. These parameters vary with changes in temperature and frequency. Circuit designers should take these changes into consideration.

- (1) Effects of operating temperature on electrical parameters
  - a) At higher temperatures, leakage current and capacitance increase while equivalent series resistance (ESR) decreases.
  - b) At lower temperatures, leakage current and capacitance decrease while equivalent series resistance (ESR) increases.
- (2) Effects of frequency on electrical parameters
  - a) At higher frequencies, capacitance and impedance decrease while  $\tan \delta$  increases.
  - b) At lower frequencies, heat generated by ripple current will rise due to an increase in equivalent series resistance (ESR).

**1.2 Operating Temperature and Life Expectancy**

- (1) Expected life is affected by operating temperature. Generally, each 10 °C reduction in temperature will double the expected life.  
Use capacitors at the lowest possible temperature below the upper category temperature.
- (2) If operating temperatures exceed the upper category limit, rapid deterioration of electrical parameter will occur and irreversible damage will result.  
Check for the maximum capacitor operating temperatures including ambient temperature, internal capacitor temperature rise due to ripple current, and the effects of radiated heat from power transistors, IC's or resistors.  
Avoid placing components, which could conduct heat to the capacitor from the back side of the circuit board.
- (3) The formula for calculating expected life at lower operating temperatures is as follows ;

$$L_2 = L_1 \times 2^{\frac{T_1 - T_2}{10}}$$

$L_1$  : Guaranteed life (h) at temperature,  $T_1$  °C

$L_2$  : Expected life (h) at temperature,  $T_2$  °C

$T_1$  : Upper category temperature (°C)

$T_2$  : Actual operating temperature, ambient temperature + temperature rise due to ripple current heating(°C)

- (4) Please use according to the lifetime as noted in this specification. Using products beyond end of the lifetime may change characteristics rapidly, short-circuit, operate pressure relief vent, or leak electrolyte.

**Panasonic Electronic Devices Co.,Ltd.**

## Application Guidelines

**1.3 Common Application Conditions to Avoid**

The following misapplication load conditions will cause rapid deterioration of a capacitor's electrical parameters.

In addition, rapid heating and gas generation within the capacitor can occur, causing the pressure relief vent to operate and resultant leakage of electrolyte. Under extreme conditions, explosion and fire ignition could result.

The leaked electrolyte is combustible and electrically conductive.

**(1) Reverse Voltage**

DC capacitors have polarity. Verify correct polarity before insertion. For circuits with changing or uncertain polarity, use DC bipolar capacitors. DC bipolar capacitors are not suitable for use in AC circuits.

**(2) Charge / Discharge Applications**

Standard capacitors are not suitable for use in repeating charge/discharge applications. For charge/ discharge applications, consult us with your actual application condition.

**(3) Over voltage**

Do not apply voltages exceeding the maximum specified rated voltage. Voltages up to the surge voltage rating are acceptable for short periods of time.

Ensure that the sum of the DC voltage and the superimposed AC ripple voltage does not exceed the rated voltage.

**(4) Ripple Current**

Do not apply ripple currents exceeding the maximum specified value. For high ripple current applications, use a capacitor designed for high ripple currents. In addition, consult us if the applied ripple current is to be higher than the maximum specified value.

Ensure that rated ripple currents that superimposed on low DC bias voltages do not cause reverse voltage conditions.

**1.4 Using Two or More Capacitors in Series or Parallel****(1) Capacitors Connected in Parallel**

The circuit resistance can closely approximate the series resistance of the capacitor, causing an imbalance of ripple current loads within the capacitors. Careful wiring methods can minimize the possible application of an excessive ripple current to a capacitor.

**(2) Capacitors Connected in Series**

Differences in normal DC leakage current among capacitors can cause voltage imbalances.

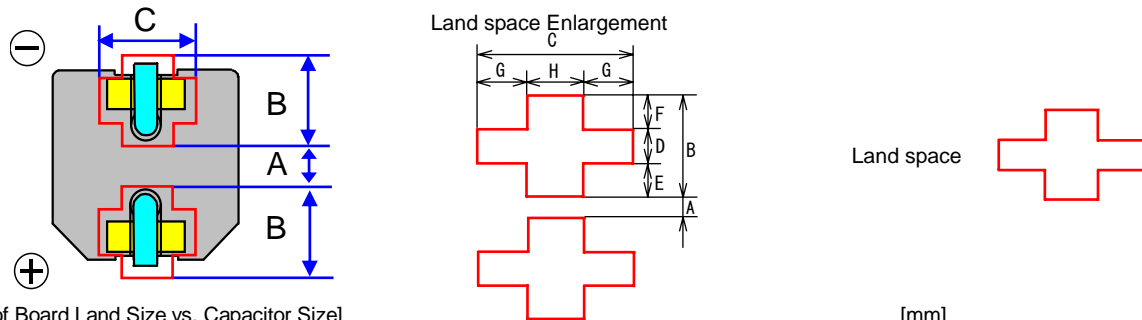
The use of voltage divider shunt resistors with consideration to leakage currents can prevent capacitor voltage imbalances.

**1.5 Capacitor Mounting Considerations****(1) Double-Sided Circuit Boards**

Avoid wiring pattern runs, which pass between the mounted capacitor and the circuit board.

**(2) Land/ Pad Pattern**

The circuit board land / pad pattern size for chip capacitor is specified in the following table.



[Table of Board Land Size vs. Capacitor Size]

Size / Dimension	A	B	C	D	E	F	G	H
E ( $\phi 8 \times 6.5L$ )	1.8	4.1	5.0	1.3	1.5	1.4	1.5	2.0
F ( $\phi 8 \times 10.5L$ )	2.7	4.0	4.7	1.3	1.0	1.7	1.1	2.5
G ( $\phi 10$ )	3.9	4.4	4.7	1.3	1.2	1.9	1.1	2.5
H ( $\phi 12.5$ )	3.9	6.0	6.9	2.8	1.3	1.9	2.2	2.5
J ( $\phi 16$ )	5.8	6.8	6.2	3.6	1.3	1.9	1.7	2.8
K ( $\phi 18$ )	5.8	7.3	6.2	3.6	1.8	1.9	1.7	2.8

※ The land pattern and size shall be decided in consideration of mountability, solderability and strength.

**(3) Clearance for Case Mounted Pressure Relief ( $\geq \phi 10$  mm)**

Capacitors with case mounted pressure relief require sufficient clearance to allow for proper pressure relief operation.

The minimum clearance are dependent on capacitor diameters as follows.

(Dia 10mm ~ Dia 16mm : 2mm minimum , Dia 18mm : 3mm minimum)

**(4) Wiring Near the Pressure Relief ( $\geq \phi 10$  mm)**

Avoid locating high voltage or high current wiring or circuit board paths above the pressure relief. Flammable, high temperature gas that exceeds 100 °C may be released which could dissolve the wire insulation and ignite.

**(5) Circuit Board Patterns Under the Capacitor**

Avoid circuit board runs under the capacitor, as an electrical short can occur due to an electrolyte leakage.

**1.6 Electrical Isolation of the Capacitor**

Completely isolate the capacitor as follows.

- Between the cathode and the case and between the anode terminal and other circuit paths.

**1.7 Capacitor Sleeve**

The laminate coating is intended for marking and identification purposes and is not meant to electrically insulate the capacitor.

**Panasonic Electronic Devices Co.,Ltd.**

## Application Guidelines

**2. Capacitor Handling Techniques****2.1 Considerations Before Using**

- (1) Capacitors have a finite life. Do not reuse or recycle capacitors from used equipment.
- (2) Transient recovery voltage may be generated in the capacitor due to dielectric absorption. If required, this voltage can be discharged with a resistor with a value of about 1k $\Omega$ .
- (3) Capacitors stored for a long period of time may exhibit an increase in leakage current. This can be corrected by gradually applying rated voltage in series with a resistor of approximately 1k $\Omega$ .
- (4) If capacitors are dropped, they can be damaged mechanically or electrically. Avoid using dropped capacitors.
- (5) Dented or crushed capacitors should not be used. The seal integrity can be damaged and loss of electrolyte/shortened life can result.

**2.2 Capacitor Insertion**

- (1) Verify the correct capacitance and rated voltage of the capacitor.
- (2) Verify the correct polarity of the capacitor before insertion.
- (3) Verify the correct hole spacing and land pattern size before insertion to avoid stress on the terminals.
- (4) For chip type capacitors, excessive mounting pressure can cause high leakage current, short circuit, or disconnection.

**2.3 Manual Soldering**

- (1) Observe temperature and time soldering specifications or do not exceed temperature of 350 °C for 3 seconds or less.
- (2) If a soldered capacitor must be removed and reinserted, avoid excessive stress on the capacitor leads.
- (3) Avoid physical contacts between the tip of the soldering iron and capacitors to prevent or capacitor failure.

**2.4 Reflow Soldering**

- (1) For reflow, use a thermal conduction system such as infrared radiation (IR) or hot blast. Vapor heat transfer systems (VPS) are not recommended.
- (2) Observe proper soldering conditions (temperature, time, etc.). Do not exceed the specified limits.  
※ The Temperature on Capacitor top shall be measured by using thermal couple that is fixed firmly by epoxy glue.
- (3) Reflow should be performed one time. Consult us for additional reflow restrictions.

**2.5 Capacitor Handling after Soldering**

- (1) Avoid moving the capacitor after soldering to prevent excessive stress on the lead wires where they enter the seal.
- (2) Do not use the capacitor as a handle when moving the circuit board assembly.
- (3) Avoid striking the capacitor after assembly to prevent failure due to excessive shock.

**2.6 Circuit Board Cleaning**

- (1) Circuit boards can be immersed or ultrasonically cleaned using suitable cleaning solvents for up to 5 minutes and up to 60 °C maximum temperatures. The boards should be thoroughly rinsed and dried.  
The use of ozone depleting cleaning agents is not recommended for the purpose of protecting our environment.
- (2) Avoid using the following solvent groups unless specifically allowed in the specification ;
  - Halogenated cleaning solvents : except for solvent resistant capacitor types, halogenated solvents can permeate the seal and cause internal capacitor corrosion and failure.  
For solvent resistant capacitors, carefully follow the temperature and time requirements based on the specification. 1-1-1 trichloroethane should never be used on any aluminum electrolytic capacitor.
  - Alkaline solvents : could react and dissolve the aluminum case.
  - Petroleum based solvents : deterioration of the rubber seal could result.
  - Xylene : deterioration of the rubber seal could result.
  - Acetone : removal of the ink markings on the vinyl sleeve could result.
- (3) A thorough drying after cleaning is required to remove residual cleaning solvents that may be trapped between the capacitor and the circuit board. Avoid drying temperatures, which exceed the Upper category temperature of the capacitor.
- (4) Monitor the contamination levels of the cleaning solvents during use in terms of electrical conductivity, pH, specific gravity, or water content. Chlorine levels can rise with contamination and adversely affect the performance of the capacitor.
- (5) Depending on the cleaning method, the marking on a capacitor may be erased or blurred.  
Please consult us if you are not certain about acceptable cleaning solvents or cleaning methods.

**2.7 Mounting Adhesives and Coating Agents**

When using mounting adhesives or coating agents to control humidity, avoid using materials containing halogenated solvents. Also, avoid the use of chloroprene based polymers. Harden on dry adhesive or coating agents well lest the solvent should be left.

After applying adhesives or coatings, dry thoroughly to prevent residual solvents from being trapped between the capacitor and the circuit board.

**2.8 Fumigation**

In exporting electronic appliances with aluminum electrolytic capacitors, in some cases fumigation treatment using such halogen compound as methyl bromide is conducted for wooden boxes. If such boxes are not dried well, the halogen left in the box is dispersed while transported and enters in the capacitors inside. This possibly causes electrical corrosion of the capacitors. Therefore, after performing fumigation and drying make sure that no halogen is left. Don't perform fumigation treatment to the whole electronic appliances packed in a box.



## Application Guidelines

24

**3. Precautions for using capacitors****3.1 Environmental Conditions**

Capacitors should not be stored or used in the following environments.

- (1) Exposure to temperatures above the upper category or below the lower category temperature of the capacitor.
- (2) Direct contact with water, salt water, or oil.
- (3) High humidity conditions where water could condense on the capacitor.
- (4) Exposure to toxic gases such as hydrogen sulfide, sulfuric acid, nitric acid, chlorine, Chlorine compound, Bromine, Bromine compound or ammonia.
- (5) Exposure to ozone, radiation, or ultraviolet rays.
- (6) Vibration and shock conditions exceeding specified requirements.

**3.2 Electrical Precautions**

- (1) Avoid touching the terminals of a capacitor as a possible electric shock could result. The exposed aluminum case is not insulated and could also cause electric shock if touched.
- (2) Avoid short circuiting the area between the capacitor terminals with conductive materials including liquids such as acids or alkaline solutions.

**4. Emergency Procedures**

- (1) If the pressure relief of the capacitor operates, immediately turn off the equipment and disconnect from the power source. This will minimize an additional damage caused by the vaporizing electrolyte.
- (2) Avoid contact with the escaping electrolyte gas, which can exceed 100 °C temperatures. If electrolyte or gas enters the eye, immediately flush the eye with large amounts of water. If electrolyte or gas is ingested by mouth, gargle with water. If electrolyte contacts the skin, wash with soap and water.

**5. Long Term Storage**

Leakage current of a capacitor increases with long storage times. The aluminum oxide film deteriorates as a function of temperature and time. If used without reconditioning, an abnormally high current will be required to restore the oxide film. This surge current could cause the circuit or the capacitor to fail. After one year, a capacitor should be reconditioned by applying the rated voltage in series with a 1000 Ω current limiting resistor for a time period of 30 minutes.

**5.1 Environmental Conditions**

- (1) Exposure to temperatures above the upper category or below the lower category temperature of the capacitor.
- (2) Direct contact with water, salt water, or oil.
- (3) High humidity conditions where water could condense on the capacitor.
- (4) Exposure to toxic gases such as hydrogen sulfide, sulfuric acid, nitric acid, chlorine, Chlorine compound, Bromine, Bromine compound or ammonia.
- (5) Exposure to ozone, radiation, or ultraviolet rays.
- (6) Vibration and shock conditions exceeding specified requirements.

**6. Capacitor Disposal**

When disposing capacitors, use one of the following methods.

- (1) Incinerate after crushing the capacitor or puncturing the can wall (to prevent explosion due to internal pressure rise).
- (2) Dispose as solid waste.

NOTE : Local laws may have specific disposal requirements which must be followed.