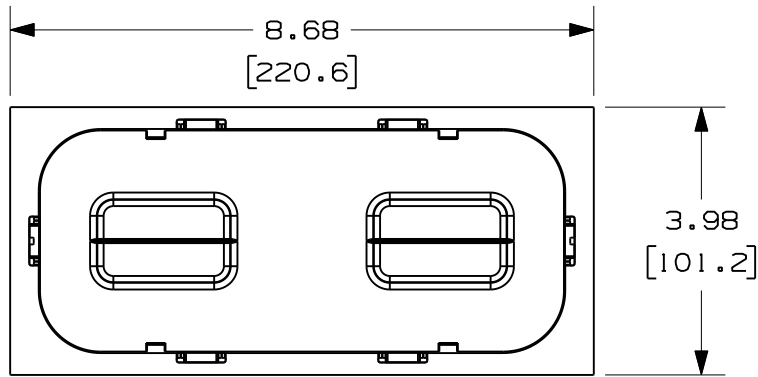


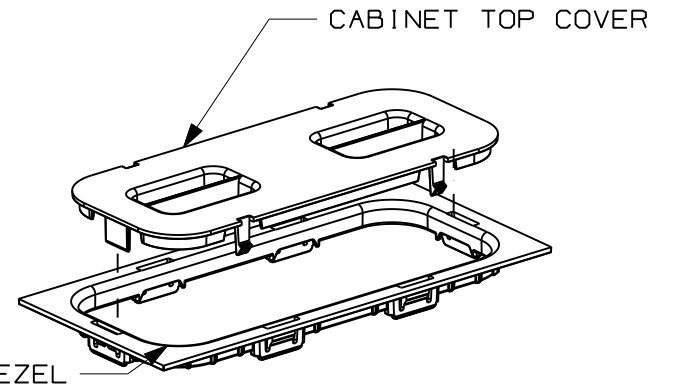
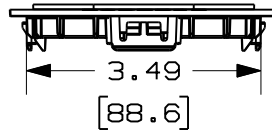
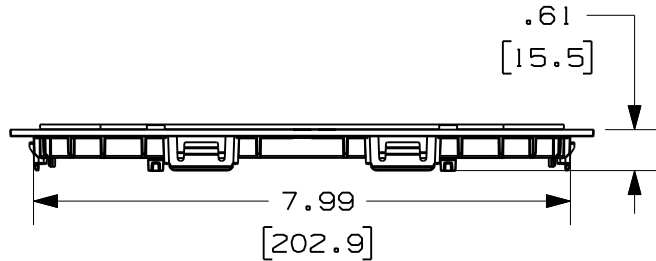
THIS COPY IS PROVIDED ON A RESTRICTED BASIS AND IS NOT TO BE USED IN ANY WAY DETRIMENTAL TO THE INTERESTS OF PANDUIT CORP.



PANDUIT PART NUMBER	WEIGHT
CTCC3X8	4.26 G / EACH .01 LBS / EACH

NOTES:

1. PANDUIT PART NUMBER CTCC3X8 INCLUDES:
ONE (1) CABINET TOP COVER.
ONE (1) CABLE PROTECTION BEZEL.
2. FOR USE WITH BOTH Net-SERV™ AND Net-Access™ CABINETS.
3. USED TO SEAL OFF 3"X8" CABINET OPENINGS AFTER KNOCK-OUTS HAVE BEEN REMOVED. CAN ALSO BE USED TO ADD THE CTG3X8 OR CTIDT15 TO OPENINGS WHERE KNOCK-OUTS HAVE BEEN REMOVED.
4. DIMENSIONS IN PARENTEHESES ARE METRIC.
5. WITH CABINET TOP COVER REMOVED, CABLE PROTECTION BEZEL OPENING IS 3.085 X 7.585 (22.85 in²).



CAD FILENAME/LAYERS 09D043AD_DC/00A CTCC3X8

PANDUIT CORP. TINLEY PARK, ILLINOIS
CABINET TOP COVER AND CABLE PROTECTION BEZEL (CTCC3X8)
CUSTOMER DRAWING

UNLESS OTHERWISE SPECIFIED, DIMENSIONAL TOLERANCES ARE:
(.X) ± (.XXX) ±
(.XX) ±.03 | .8 | ANGLES ±

UNLESS OTHERWISE SPECIFIED, ALL DIMENSIONS ARE GIVEN IN INCHES, THIRD ANGLE PROJECTION.

DRAWN BY JAHA

MAT'L:

SCALE NONE

DATE 01-13-10

ABS

DRAWING NO.

DWG

CHK'D EB

09D043AD-DC

A

SIZE

REV	DATE	BY	CHK	DESCRIPTION	ECN	R	CUST	SUP
R	1-13-10	JAHA	EB	RELEASED TO PRODUCTION	09D043AD	RN	RN	