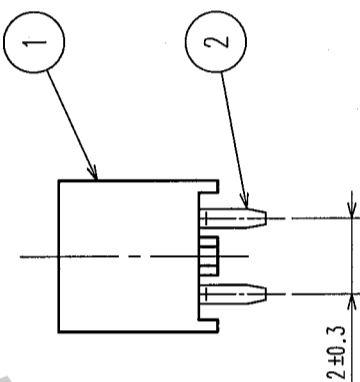
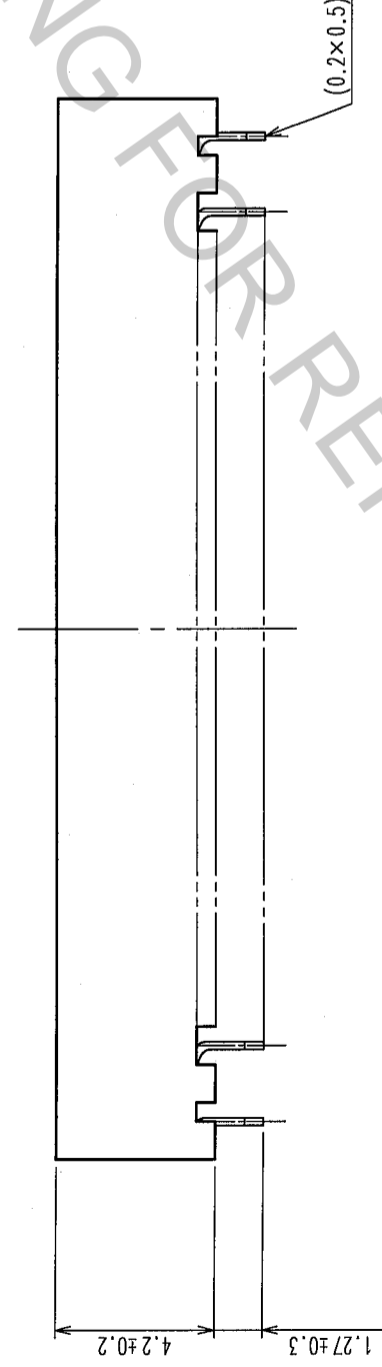
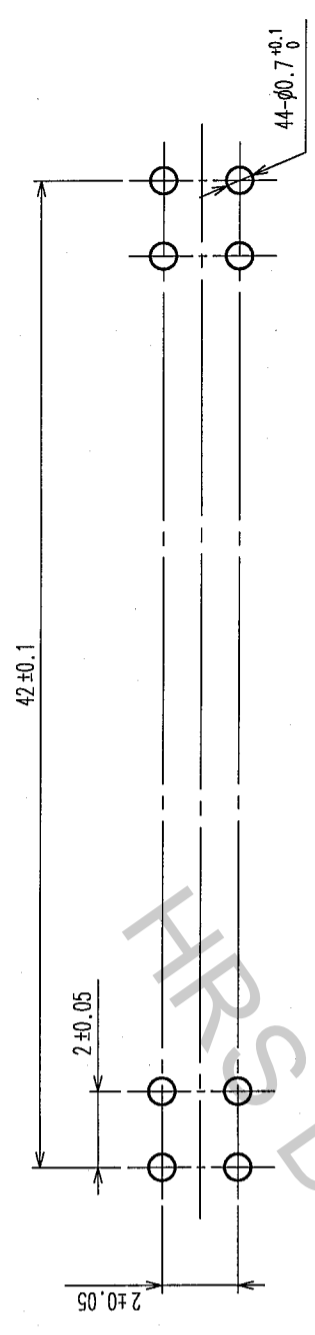
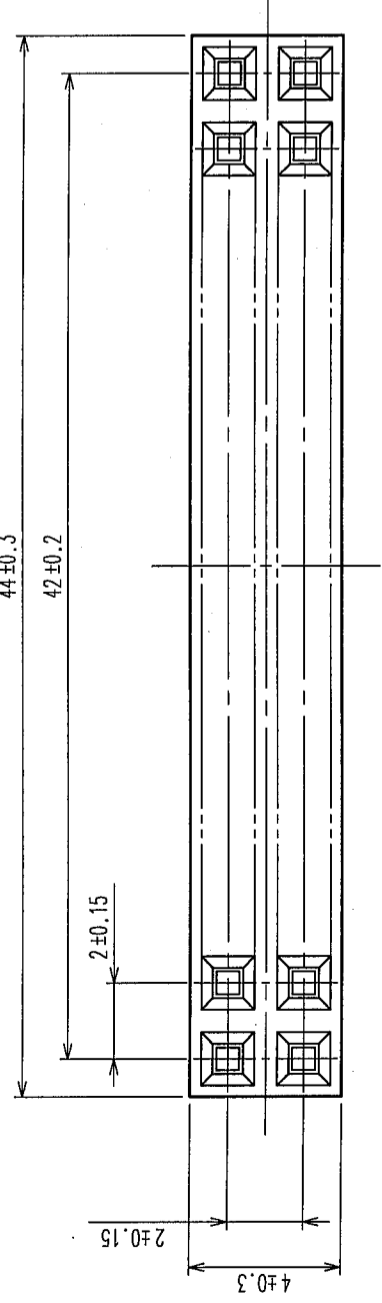


| COUNT | DESCRIPTION OF REVISIONS | BY | CHKD | DATE | COUNT | DESCRIPTION OF REVISIONS | BY | CHKD | DATE |
|-------|--------------------------|----|------|------|-------|--------------------------|----|------|------|
| △     |                          |    |      |      | △     |                          |    |      |      |
| △     |                          |    |      |      | △     |                          |    |      |      |
| △     |                          |    |      |      | △     |                          |    |      |      |

RECOMMENDED P.C.B. HOLE PATTERN



TO

NOTE 1 CUT SURFACE OF CONTACT IS UNPLATED.  
 2 THE DIMENSIONS IN PARENTHESES ARE FOR REFERENCE.

|                          |                            |                 |                   |                 |  |
|--------------------------|----------------------------|-----------------|-------------------|-----------------|--|
| 1                        | POLYBUTYLENE TEREPHTHALATE | BLACK ,UL94V-0  | 2                 | PHOSPHOR BRONZE | CONTACT AREA: GOLD 0.2µ m min.<br>DIP AREA: TIN 1µ m min.<br>UNDER PLATING: NICKEL 1µ m min. |
| NO.                      | MATERIAL                   | FINISH, REMARKS | NO.               | MATERIAL        | FINISH, REMARKS  |
| CODE NO. (OLD)           |                            |                 | DRAWN             | DESIGNED        | CHECKED  |
|                          |                            |                 | T. NODA           | K. Doi          | K. Ogawa   |
|                          |                            |                 | '05.08.30         | '05.09.02       | '05.09.02  |
| DRAWING NO.              | EDC3-071015-21             | PART NO.        | A3D-44DA-2DSE(71) |                 |  |
| SCALE                    | FREE                       | UNITS           | mm                |                 |  |
| HIROSE ELECTRIC CO., LTD |                            | CODE NO.        |                   | CL621-0766-0-71 |  |
| 1                        |                            | 1               |                   | 1               |  |