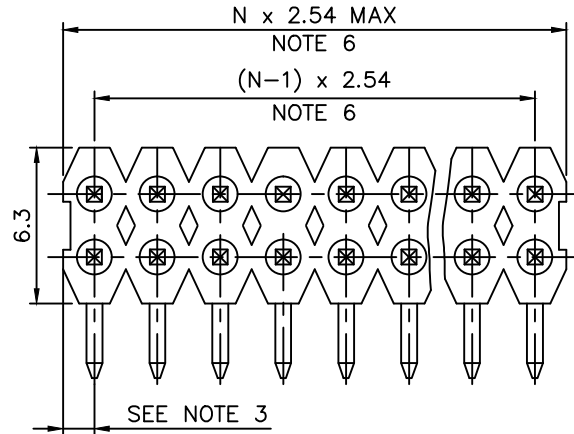
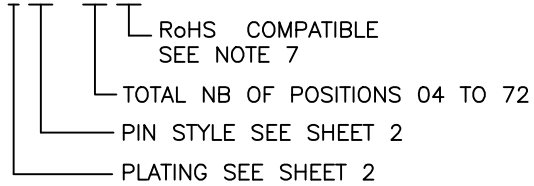


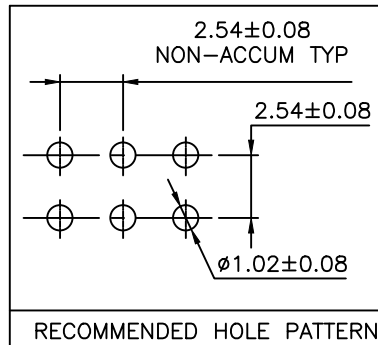
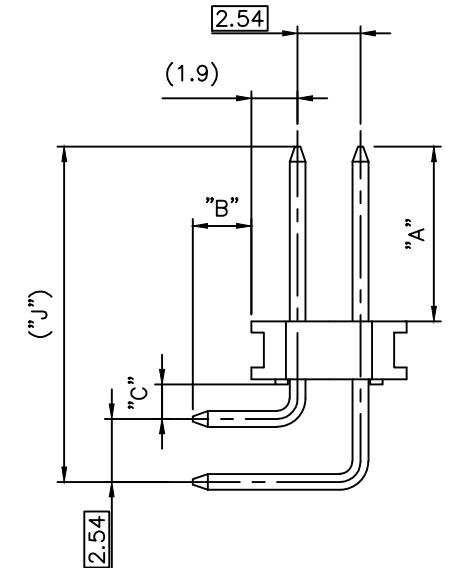
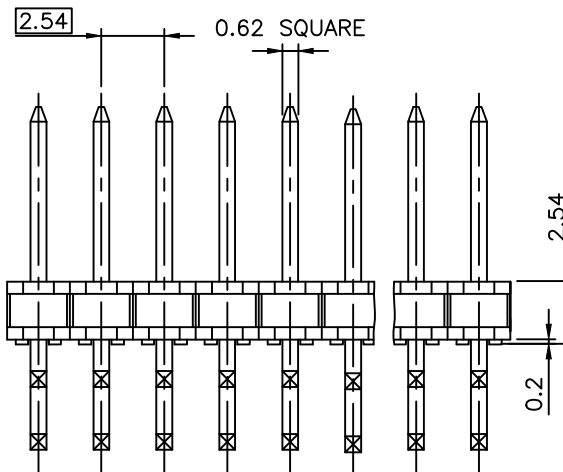
PRODUCT NUMBER

77319-YXX-XXLF



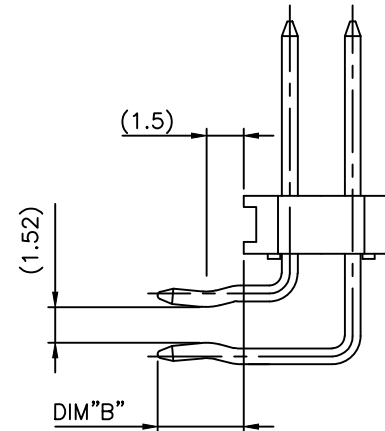
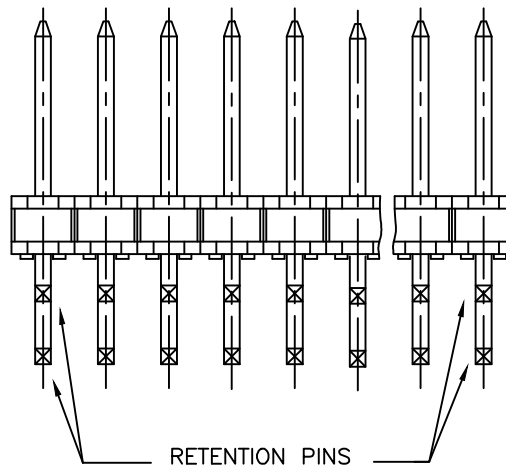
NOTES:

- HOUSING MAT'L : HIGH TEMPERATURE THERMOPLASTIC. UL94V-0 COLOR: BLACK
- PIN MATERIAL : PHOSPHOR BRONZE
- DIM 1.27^{+0.03}/_{-0.13} FOR MOULDED SIDE(S) ONLY. IF SIDE(S) ARE BROKEN, DIM 1.02 TO 1.7 MAX APPLIES.
- PRODUCT PACKAGED IN POLY BAGS.
- 9N MIN RETENTION IN EITHER DIRECTION
- TO DETERMINE DIMENSIONS :
N = NUMBER OF POSITIONS PER ROW
EXAMPLE : 8 POS $N \times 2.54 = 20.32\text{mm}$
- RoHS COMPATIBLE PRODUCT SPECIFICATIONS
 - PLATING:
- "LF" MEANS THE PRODUCT IS LEAD-FREE, 2µm MINIMUM MATTE TIN OVER 1.27µm MINIMUM NICKEL UNDERPLATE.
 - MANUFACTURING PROCESS COMPATIBILITY
- THE HOUSING WILL WITHSTAND EXPOSURE TO 260°C ±5°C SOLDER BATH TEMPERATURE FOR 5 SECONDS IN A WAVE SOLDER APPLICATION WITH A 1.6mm MIN THICK CIRCUIT BOARD.
 - LABELLING:
- MEETS PACKAGING SPECS AS PER GS-14-920
 - LEGAL STATEMENT : SEE GS-47-0004



mat'l. code		surface	tolerance	projection	product family
		ISO 1302	ISO 406 ISO 1101		BSTIK
ltr ecn no dr date		tolerances unless otherwise specified			title
R	F08-0148	RTR	08.03.31	mm	HEADER RA,DR, WIDE BODY 2.54mm
S	F11-0036	JCO	10.03.14	angles	
T	F11-0320	LMU	12.01.25	linear	
U	B-18916	LMU	14.09.29	scale 5:1	dwg no
					sheet 1 of 2 size
N	F05-0186	LMU	05.06.09	dr	77319
P	F06-0207	LMU	06.07.27	enrg	A3
				chr	
				appd	JMC
sheet index	revision sheet	U	S		type
	1 2				CUSTOMER Drawing

PIN STYLE	PRODUCT DIMENSIONS			
	"A" ±0.15	"B" ±0.35	("C") REF	("J") REF
01	5.72	3.05	1.52	12.19
02	5.72	3.70	1.52	12.19
03	8.08	2.93	1.52	14.68
04	5.84	2.83	1.52	12.44
05	7.15	3.05	1.52	13.75
06	6.10	3.10	1.52	12.70
07	10.89	3.05	1.52	17.49



OPTION LETTER "R"
FOR RETENTION

77319-YXXRXXLF

NOTES:

- 4 PINS USED FOR RETENTION FEATURE ,2 AT EACH END
- RETENTION FEATURE ONLY AVAILABLE WHEN DIM "B" IS BETWEEN 2.9 AND 3.5mm.

77319-SXX-XXLF	0.38µm GXT FULL PLATED	
77319-GXX-XXLF	0.76µm GXT FULL PLATED	
77319-9XX-XXLF	0.2µm Au	2.0-7.5 Sn MATTE
77319-8XX-XXLF	0.38µm Au/GXT	2.0-7.5 Sn MATTE
77319-5XX-XXLF	0.25µm Au/GXT	2.0-7.5 Sn MATTE
77319-4XX-XXLF	3.81µm Sn FULL PLATED	
77319-2XX-XXLF	1.27µm Au	2.0-7.5 Sn MATTE
77319-1XX-XXLF	0.76µm Au/GXT	2.0-7.5 Sn MATTE
77319-1XXSXXLF	0.76µm Au/GXT	GOLD FLASH
PLATING CODE	CONTACT AREA	REMAINDER
	PLATING THICKNESS OVER 1.27µm Ni	

mat'l. code		surface		tolerance		projection		product family	
		ISO 1302	ISO 406	ISO 1101			BSTIK		
ltr	ecn no	dr	date	tolerances unless otherwise specified		mm		title	
R	F11-0320	LMU	12.01.25	angles	linear			HEADER RA,DR, WIDE BODY 2.54mm	
S	B-18916	LMU	14.09.29			scale 5:1		sheet 2 of - size	
L	F00837	LMU	00.11.10	dr	COMPAGNON J	95.11.15	77319		A3
M	F05-0186	LMU	05.06.09	enr	JMC	95.11.15	type		CUSTOMER Drawing
N	F06-0207	LMU	06.07.27	chr	JMC	95.11.15			
P	F08-0148	RTR	08.03.31	appd	JMC	95.11.15			
sheet index	revision sheet								