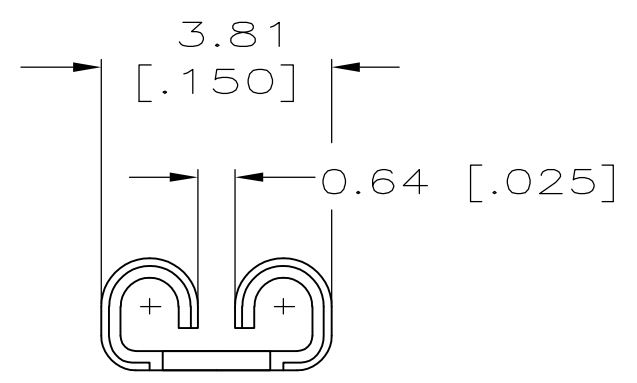
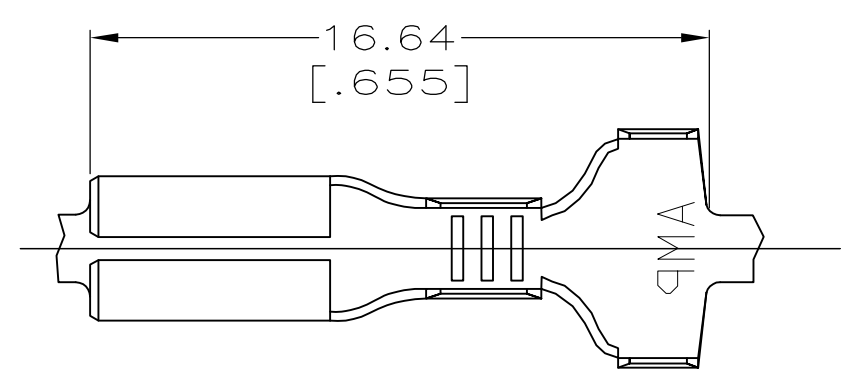


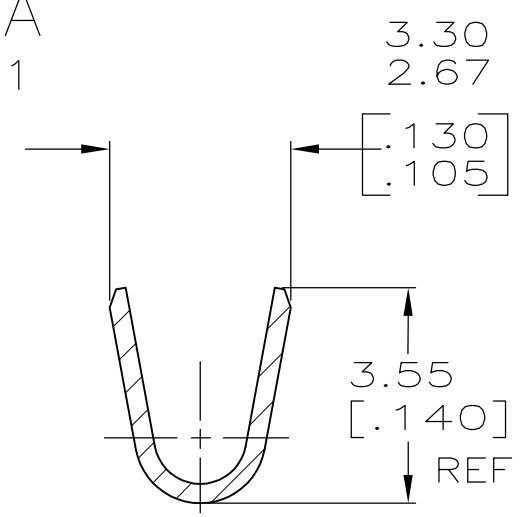
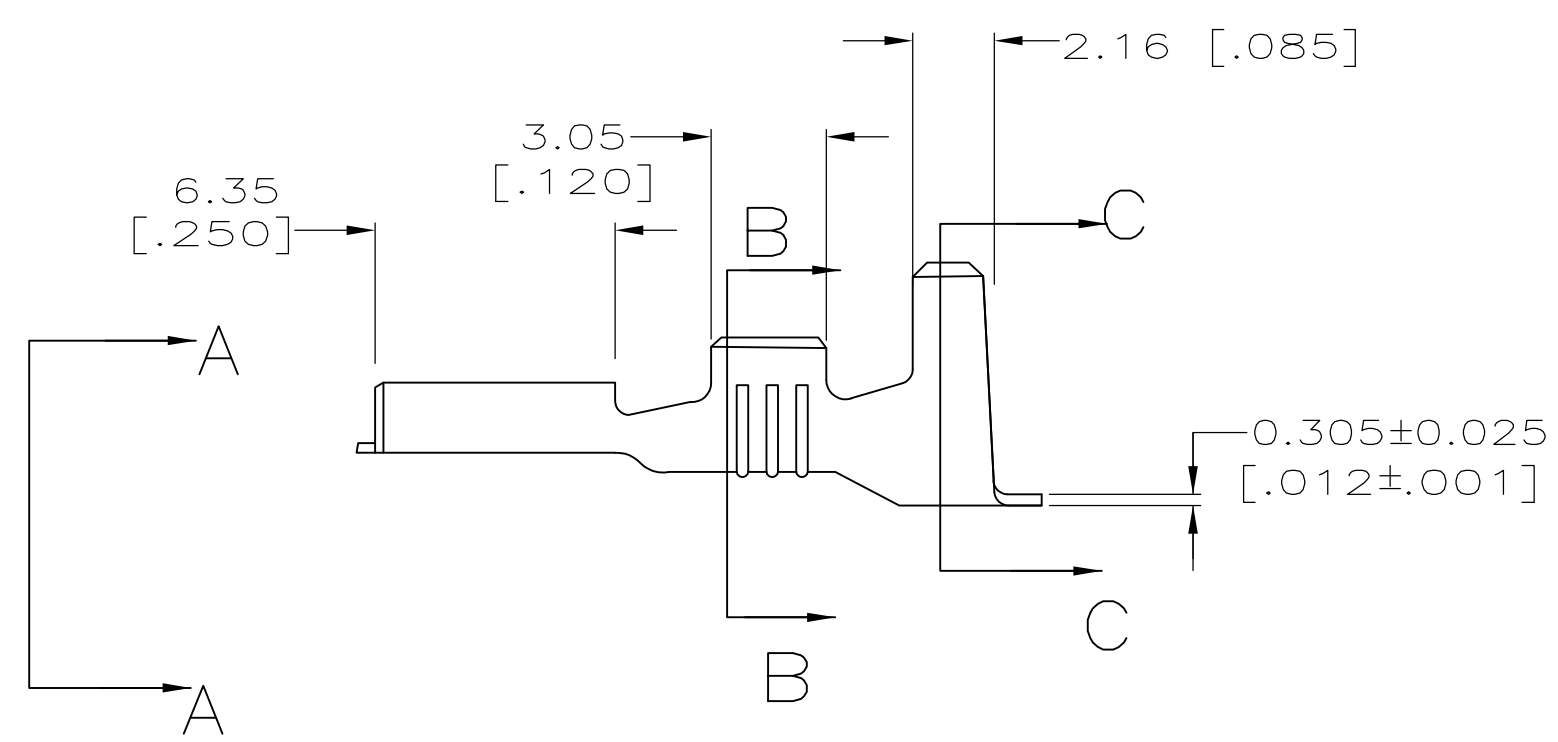
THIS DRAWING IS UNPUBLISHED. RELEASED FOR PUBLICATION  
 © COPYRIGHT - By - ALL RIGHTS RESERVED.

LOC	DIST	REVISIONS			
P	LTR	DESCRIPTION	DATE	DWN	APVD
AF	50	E	REVISED PER ECR-12-013518	23NOV2012	KH PD

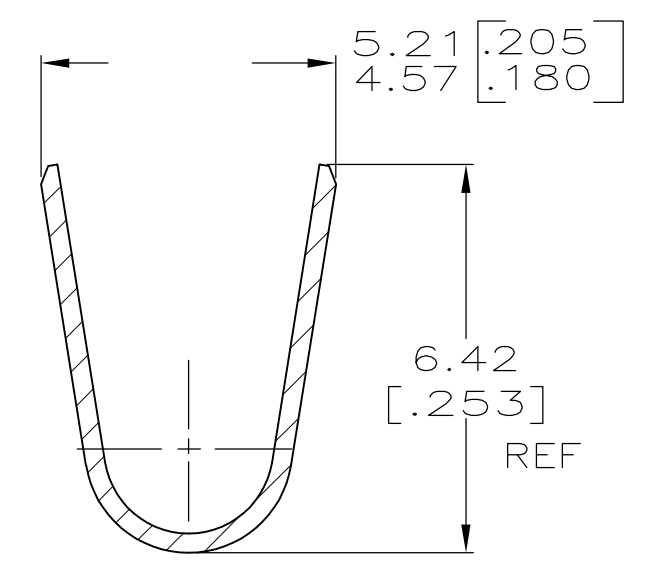
- CONTINUOUS STRIP ON REELS.
- ACCEPTS TWO #18'S AWG, OR #18-#16 AWG.
- INSULATION RANGE IS 2.79-4.32 [.110-.170] DIA OR TWO AT 2.79 [.110] MAX DIA. WIRES TO BE STACKED
- MATING TAB THK TO BE  $0.51 \pm 0.025$  [.020±.001].



VIEW A-A  
SCALE 8:1



SECTION B-B  
SCALE 8:1



SECTION C-C  
SCALE 8:1

TIN	1217345-2
-	1217345-1
FINISH	PART NO.

THIS DRAWING IS A CONTROLLED DOCUMENT.		DWN	JR RUTH	22FEB00	TE Connectivity RECEPTACLE, FASTON, 2.79 [.110] SERIES
DIMENSIONS: mm [INCHES]		CHK	MS FEHER	22FEB00	
TOLERANCES UNLESS OTHERWISE SPECIFIED:		APVD	P DESANTIS	23FEB00	
0 PLC ± - 1 PLC ± - 2 PLC ± 0.38 [.015] 3 PLC ± - 4 PLC ± - ANGLES ± -		PRODUCT SPEC	-	-	
MATERIAL	BRASS	FINISH	SEE TABLE	APPLICATION SPEC	114-2036
		WEIGHT	-	SIZE	A3
		CUSTOMER DRAWING		CAGE CODE	00779
				DRAWING NO	C-1217345
				RESTRICTED TO	-
		SCALE	5:1	SHEET	1 OF 1
				REV	E