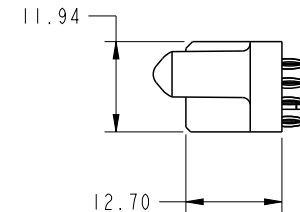
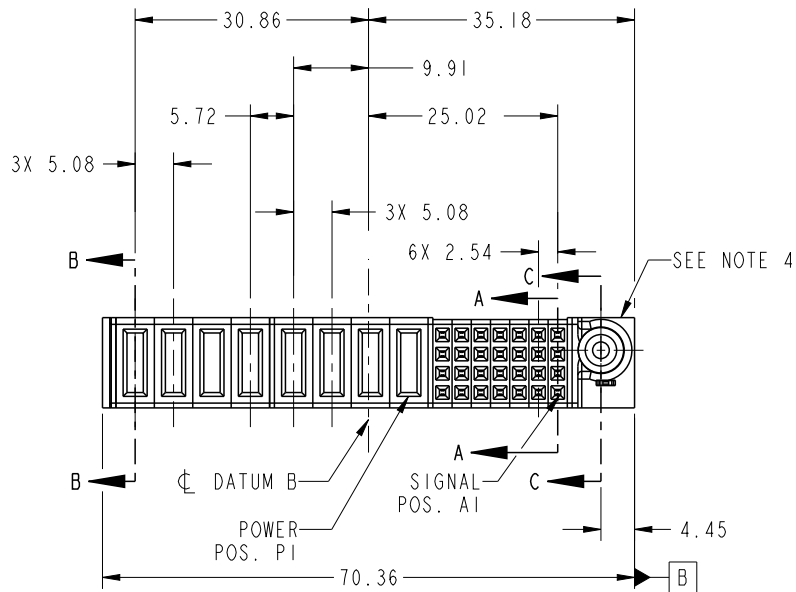


PRODUCT NO. 51940-392-- NOTE: 3	ROWS D C B A	POWER								SIGNAL								
		E2	P8	P7	P6	P5	P4	P3	P2	P1	7	6	5	4	3	2	1	E1
		PF	PF	PF	PF	PC	PC	PC	PC	F	F	F	F	F	F	F	F	



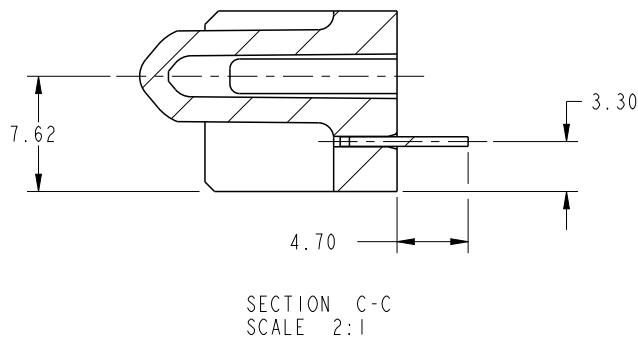
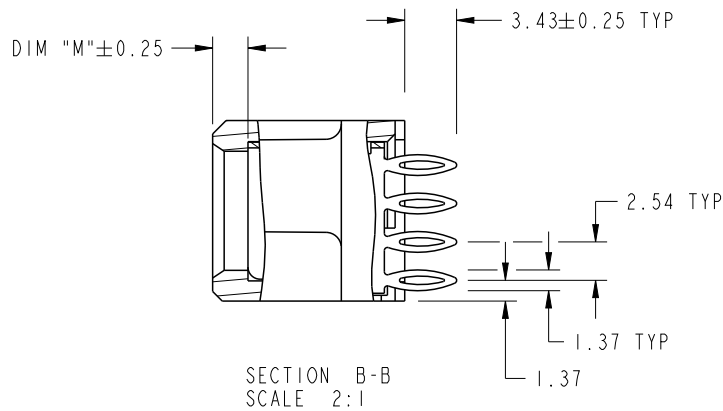
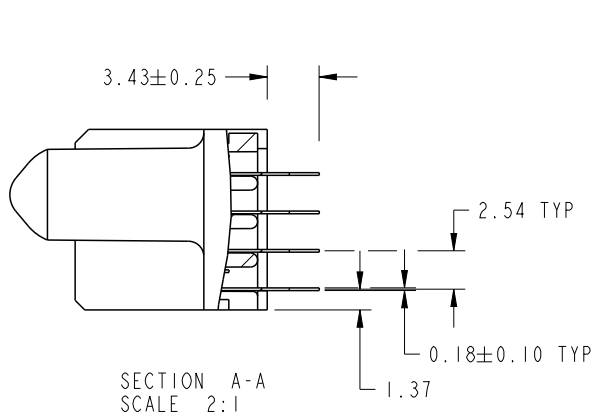
CODE	DIM "M" MATING LENGTH	CONTACT TYPE
PF	[2.34]	POWER
PC	[1.07]	POWER
F	[N/A]	SIGNAL
HA	[N/A]	HOLD-DOWN

spec ref	SEE NOTE			dr	X Q Wang	2011/06/08	projection 	MM ←→	size	A4	scale	1:1
tolerance std	TOLERANCES UNLESS OTHERWISE SPECIFIED			eng	Luo Weller	2013/02/27			ecn no	-		
				chr	-	-						
surface ✓	linear	0.X	±0.50	FCI	title	28S + 8P	product family	PwrBlade	rel level	Released		
		0.XX	±0.25									
		0.XXX	±0.10									
	angular	0°	±2°	www.fci.com	cat. no.							

Prod File - REV C - 2009-06-09

PRODUCT NUMBER

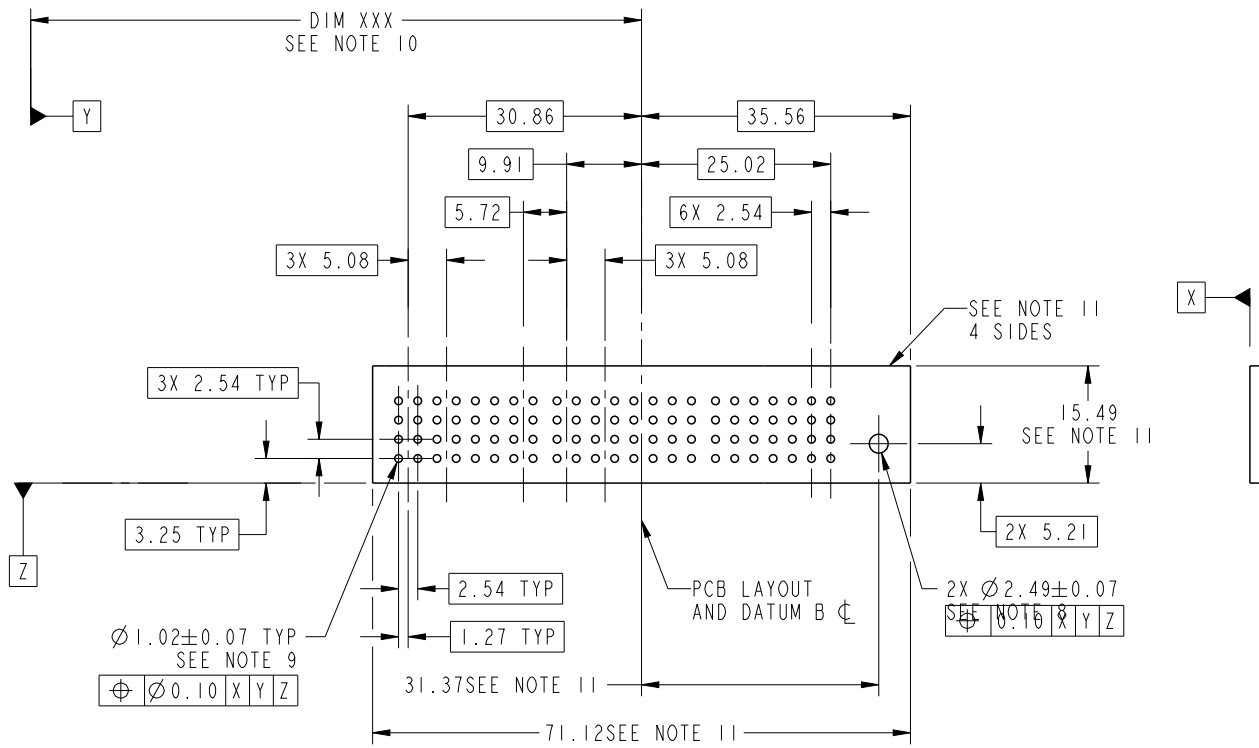
51940-392__
NOTE: 3



dr	X Q Wang	2011/06/08	projection 	MM 	size	A4	scale	1:1
eng	Luo Weller	2013/02/27			ecn no	-		
chr	-	-			rel level	Released		
appr	Pei-Ming Zheng	2013/02/27	product family	PwrBlade	rev	A		
	title	28S + 8P VERTICAL PRESS-FIT RECEPT		dwg no	51940-392			
www.fci.com	cat. no.	Product - Customer Drw			sheet 2 of 4			

PRODUCT NUMBER

51940-392__
NOTE: 3



RECOMMENDED PCB LAYOUT

dr	X Q Wang	2011/06/08	projection 	MM 	size	A4	scale	1:1
eng	Luo Weller	2013/02/27			ecn no	-		
chr	-	-			rel level	Released		
appr	Pei-Ming Zheng	2013/02/27	product family	PwrBlade				
	title	28S + 8P		dwg no	51940-392		rev	A
www.fci.com	cat. no.	Product - Customer Drw			sheet 3 of 4			

PRODUCT NUMBER

51940-392__
NOTE: 3

NOTES:

1. DIMENSIONS AND TOLERANCES ARE IN ACCORDANCE WITH ASME Y14.5M, 1994 UNLESS OTHERWISE SPECIFIED.

CONNECTOR NOTES:

- 2 HOUSING MATERIAL: UL 94 V-0 GLASS FILLED HIGH-TEMP THERMOPLASTIC
POWER CONTACT MATERIAL: COPPER ALLOY
SIGNAL PIN MATERIAL: COPPER ALLOY
- 3. SEE ITEM 7 & 8 IN PRINT 10064183 FOR PLATING SPEC OF 51940-392 AND 51940-392LF RESPECTIVELY.
- 4 MANUFACTURER'S NAME, DATE CODE AND OPTIONAL P/N TO APPEAR ON THIS SURFACE. THE P/N CAN BE OMITTED IF THERE IS NOT ENOUGH SPACE ON THIS SURFACE.
- 5. PRODUCT SPECIFICATION GS-12-149.
APPLICATION SPECIFICATION BUS-20-067.
- 6. PACKAGED IN TRAYS.
- PCB NOTES:
- 7. ALL HOLE DIAMETERS ARE FINISHED HOLE SIZE.
- 8 MOUNTING HOLES, WHERE APPLICABLE, ARE UNPLATED.
- 9 $\varnothing 1.151 \pm 0.025$ DRILLED HOLES PLATED WITH
0.008 MIN SnPb OR Sn OVER 0.03
TO 0.08 Cu PLATING TO ACHIEVE
 $\varnothing 1.02 \pm 0.07$ HOLE.
- 10 "DIM XXX" TO BE DETERMINED BY THE CUSTOMER.
- 11 CONNECTOR KEEP-OUT ZONE.
- 12. THE VOID CORING IN BETWEEN POWER MODULES, SIGNAL MODULES AND END MODULES ARE OPTIONAL AND THE SHAPE MAY BE DIFFERENT FOR OPTIMIZE THE MOLDING PROCESS. THE VOID CORING WILL NOT EFFECT TO PRODUCT FUNCTION.

dr	X Q Wang	2011/06/08	projection 	MM 	size	A4	scale	1:1			
eng	Luo Weller	2013/02/27			ecn no	-					
chr	-	-			product family	PwrBlade	rel level	Released			
appr	Pei-Ming Zheng	2013/02/27			title	28S + 8P		dwg no	51940-392	rev	A
www.fci.com		cat. no.	Product - Customer Drw			sheet 4 of 4					