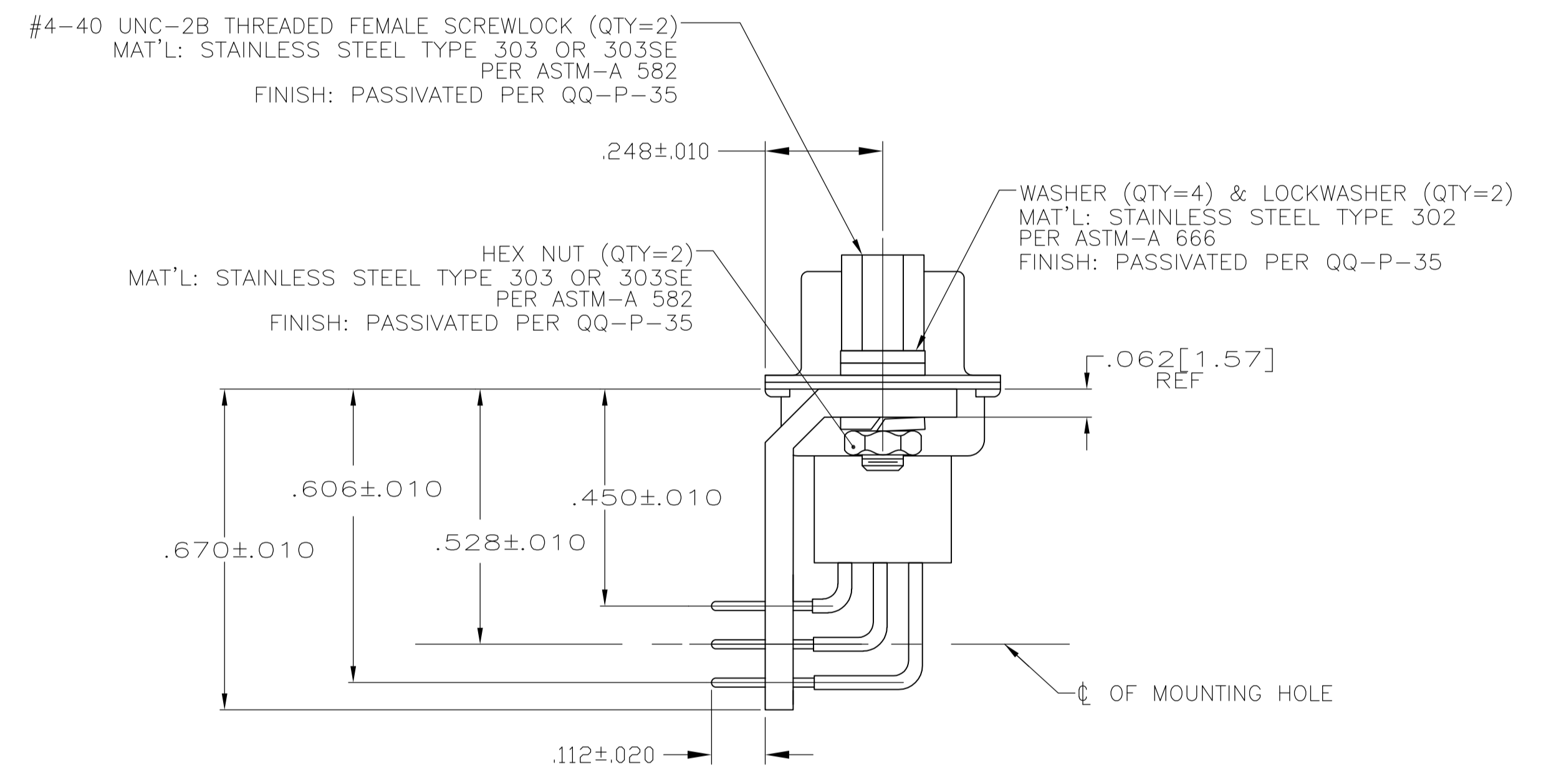
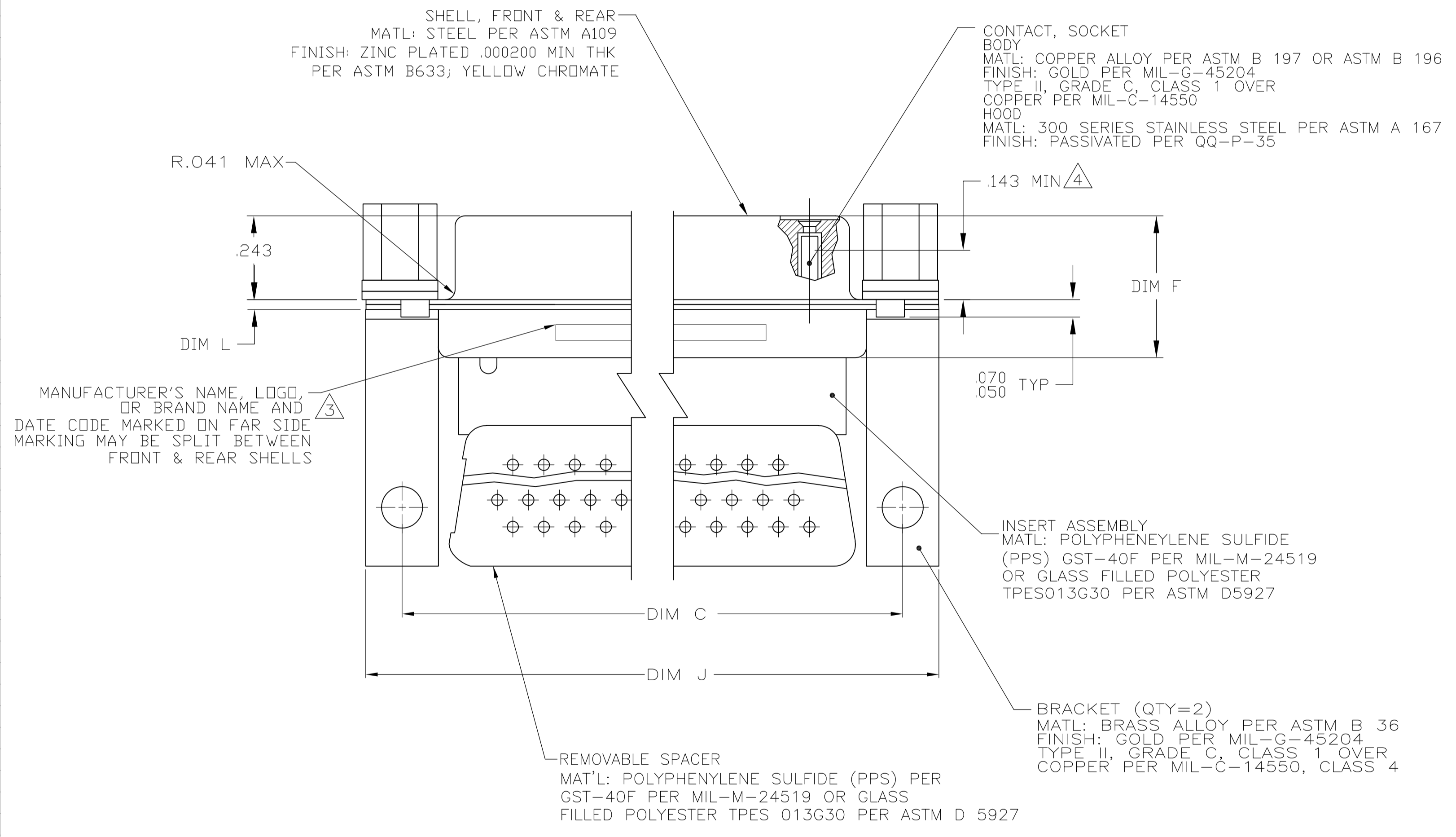
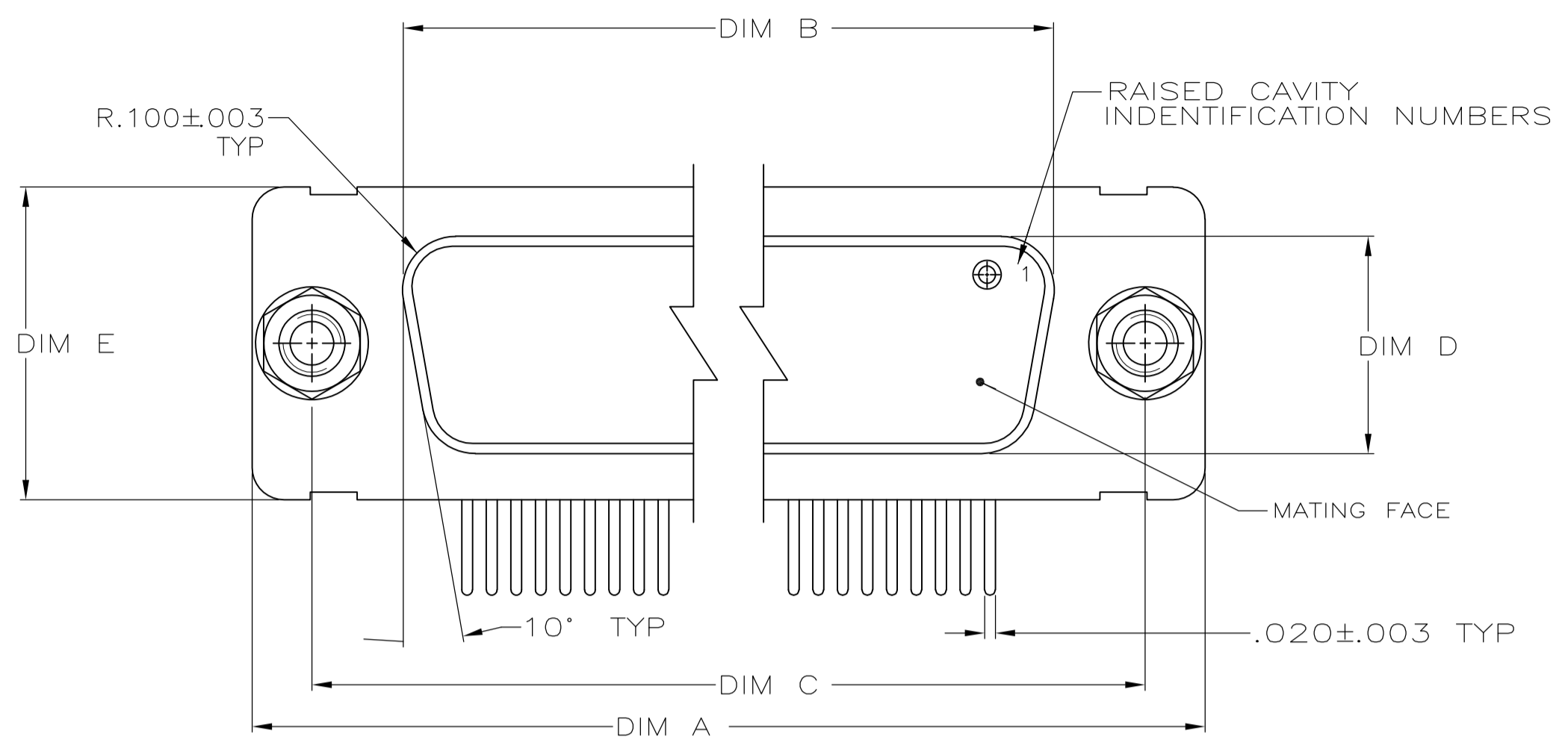


LOC		DIST		REVISIONS			
DF	DO	REV	PER	DESCRIPTION	DATE	OWN	APVD
B	REV PER ECO	08-017433			7-17-08	CT	BW

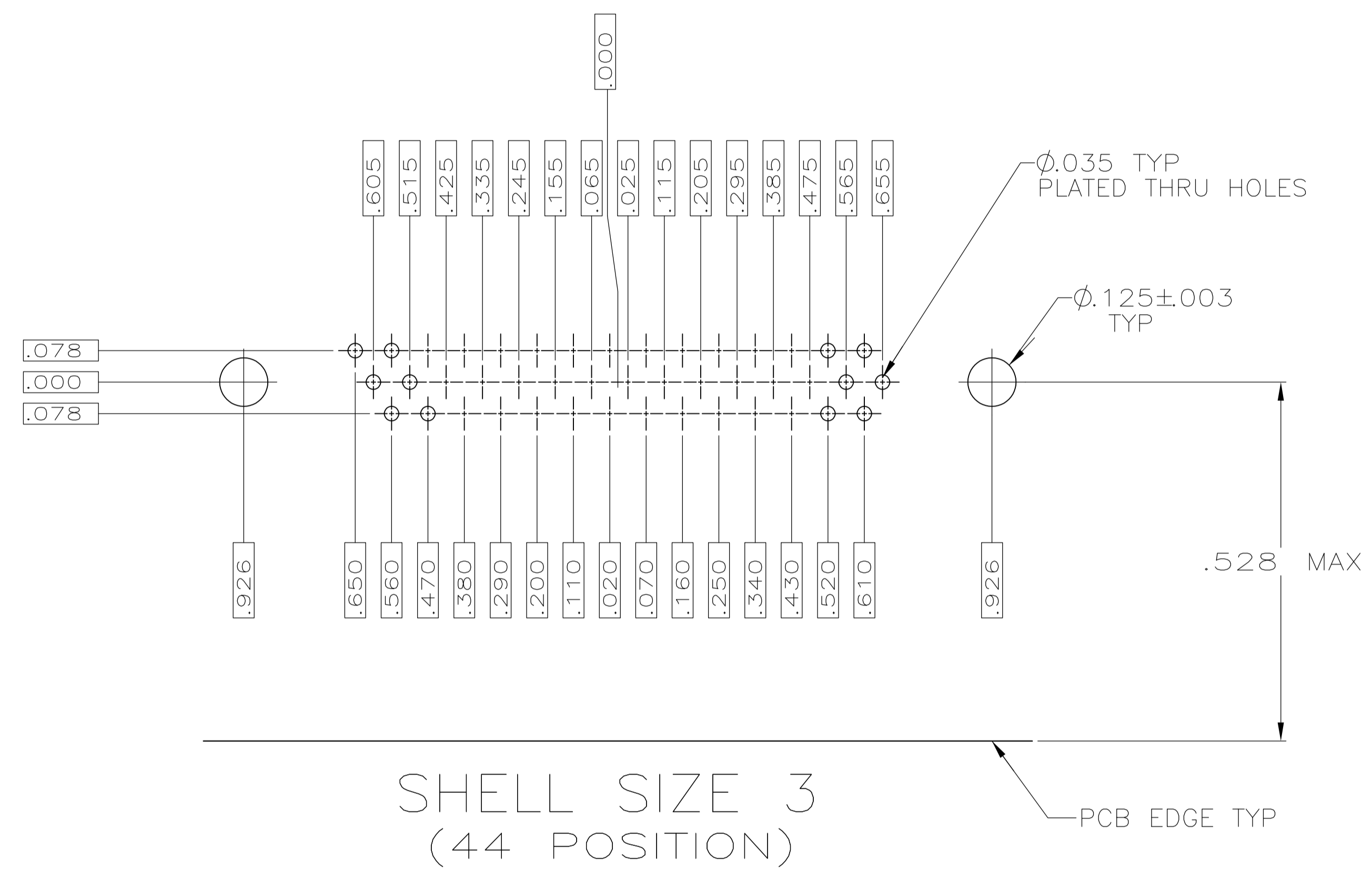
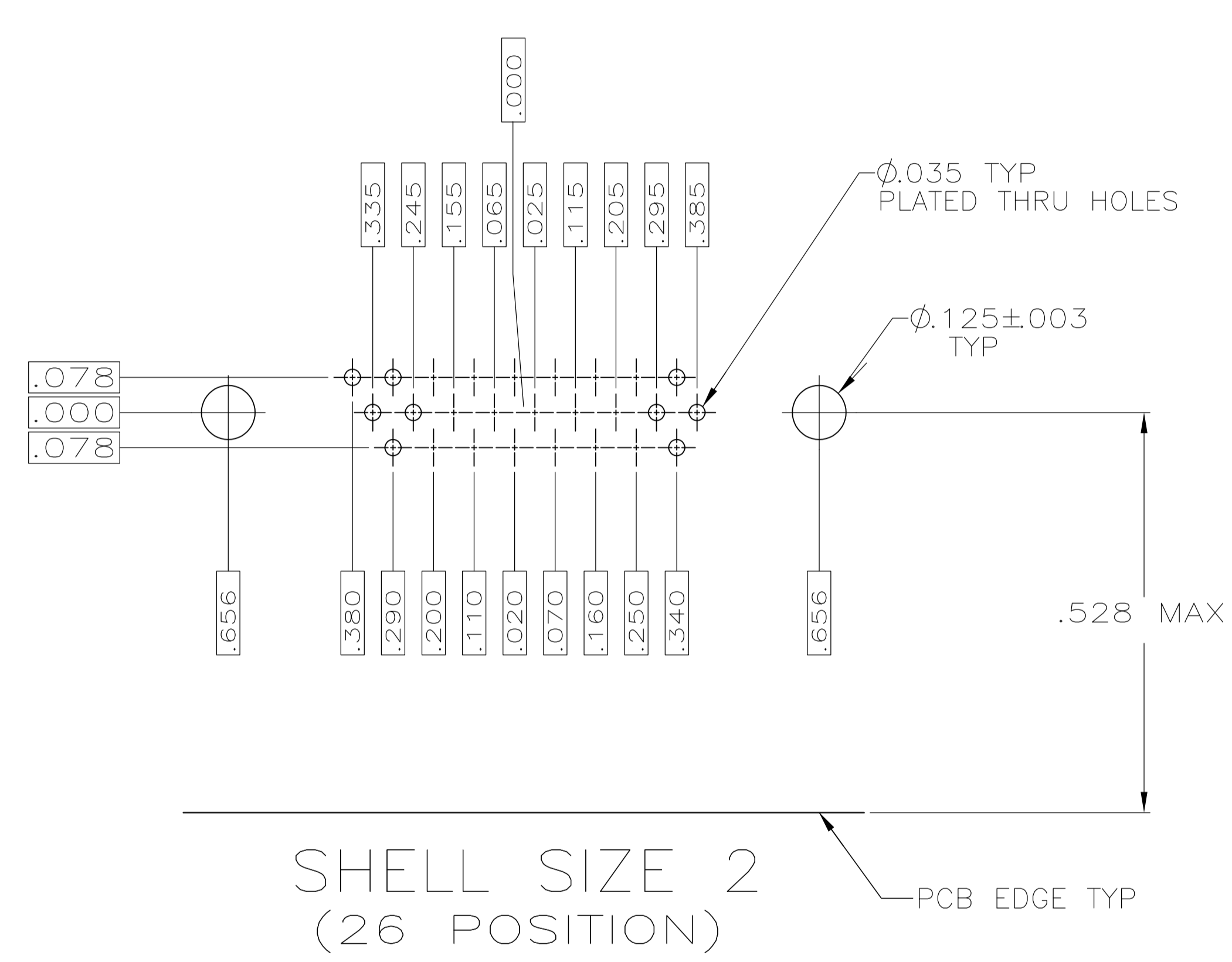


- TRUE POSITION TOLERANCE FOR P.C. BOARD LAYOUT IS .010 AT MAX MATERIAL CONDITION. SEE SHEET #2.
- THIS CONNECTOR ASSEMBLY MEETS THE REQUIREMENTS OF MIL-C-24308 AND MATES WITH ANY PLUG WITH SAME INSERT ARRANGEMENT.
- MARKED WITH .047-.062 HIGH CHARACTERS. FAR SIDE REFERS TO THE WIDE SIDE OF THE KEYSTONE. NEAR SIDE REFERS TO THE NARROW SIDE OF THE KEYSTONE.
- EPOXY IS PERMITTED ON THE REAR OF THE CONNECTOR BUT NOT ON THE MATING FACE OR SOLDER TAILS.

2.077	.030	.426	.494	.311	1.852	1.511	2.088	MS18275-2	44	3	1883581-3
1.532	.030	.422	.494	.311	1.312	.971	1.541	MS18274-2	26	2	1883581-2
J±.020	L±.010	F±.010	E±.015	DIM D	DIM C	DIM B	A±.015	INSERT ARRANGEMENT	NO. OF POSITIONS	SHELL SIZE	PART NUMBER

THIS DRAWING IS A CONTROLLED DOCUMENT.

DIMENSIONS: INCHES	TOLERANCES UNLESS OTHERWISE SPECIFIED:	DWN: C.C.THOMAS 10-6-06	Tyco Electronics Corporation Harrisburg, PA 17105-3608
0 PLC ± -	1 PLC ± -	CHK: D.MILLER 10-6-06	
2 PLC ± -	3 PLC ± .005	APVD: D.MILLER 10-6-06	NAME: AMPLIMITE RCPT ASSY, SERIES 90, RIGHT ANGLE WITH FEMALE SCREWLOCKS SHELL SIZE 2 & 3
4 PLC ± -	ANGLES ± -	PRODUCT SPEC: -	
MATERIAL: SEE CALLOUTS	FINISH: SEE CALLOUTS	APPLICATION SPEC: -	RESTRICTED TO: -
CUSTOMER DRAWING		WEIGHT: -	SCALE: 4:1
SIZE: A1		CAGE CODE: 00779	DRAWING NO: 1883581
SHEET 1 OF 2		REV B	



THIS DRAWING IS A CONTROLLED DOCUMENT.		DWN C.C.THOMAS 10-6-06	Tyco Electronics Corporation Harrisburg, PA 17105-3608	
DIMENSIONS: INCHES		CHK D.MILLER 10-6-06	NAME D.MILLER 10-6-06	
TOLERANCES UNLESS OTHERWISE SPECIFIED:		PRODUCT SPEC		
0 PLC ± -		APPLICATION SPEC		
1 PLC ± -		SIZE A1		
2 PLC ± -		CAGE CODE 00779		
3 PLC ± .005		DRAWING NO 1883581		
4 PLC ± -		RESTRICTED TO		
ANGLES ± -		SCALE 4:1		
FINISH SEE CALLOUTS		WEIGHT -		SHEET 2 OF 2
MATERIAL SEE CALLOUTS		CUSTOMER DRAWING		REV B