

DO NOT SCALE DRAWING  
DIMENSION IN METRIC

DWG. NO.  
SD-35817-002

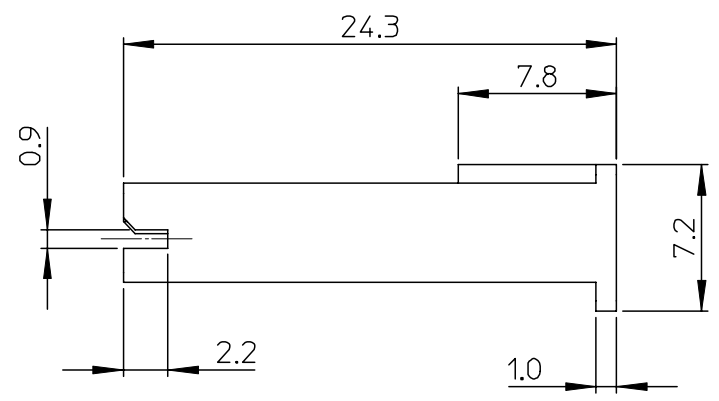
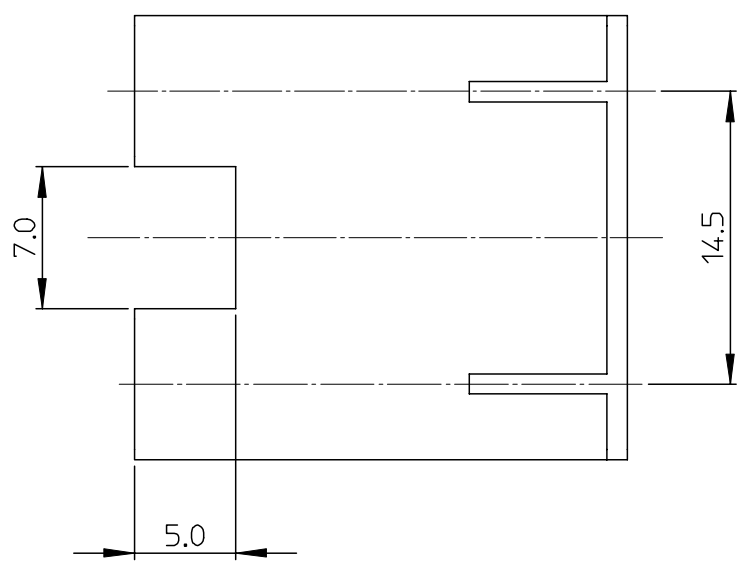
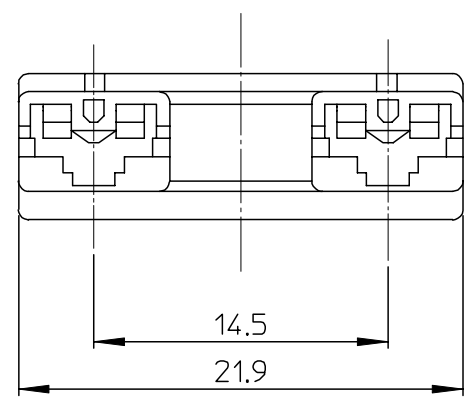
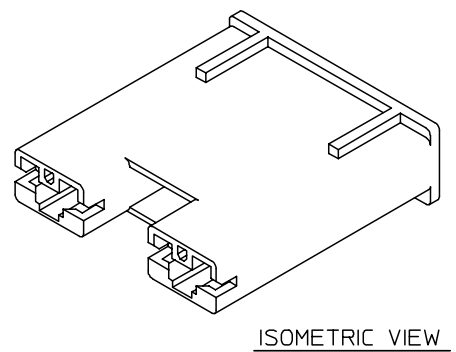
SIMILAR ITEM

PROJECT NO.

B

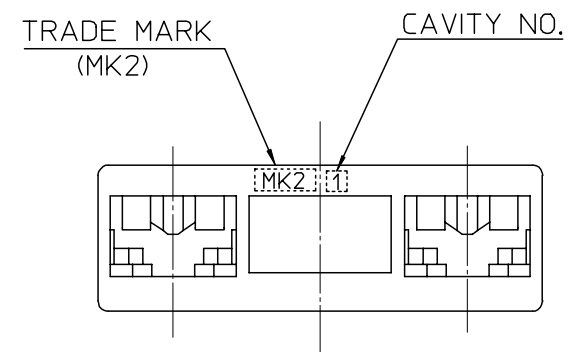
C

DO NOT SCALE DRAWING  
DIMENSION IN METRIC



NOTES

- MATERIAL : POLYESTER(PBT)  
NATURAL COLOR : 35817-0270  
BLUE COLOR : 35817-0274
- APPLICABLE TERMINAL : 35068-9702/9802/9902



NEW RELEASED ECN NO.KOR2003-0060 DRWN: C.B.CHIN 03/06/03 CHK: W.Y.YANG APPR: C.W.LEE	DESCRIPTION REV	QUALITY SYMBOLS	GENERAL TOLERANCES: (UNLESS SPECIFIED)		SCALE 4:1	DESIGN UNITS <input checked="" type="checkbox"/> mm <input type="checkbox"/> INCH	<input checked="" type="checkbox"/> THIRD ANGLE <input type="checkbox"/> FIRST ANGLE PROJECTION	DIMENSIONS: <input type="checkbox"/> mm <input type="checkbox"/> INCH <input checked="" type="checkbox"/> mm ONLY	SHT REV	
		MAJOR = 0 CRITICAL = 0	mm	INCH	DRAWN BY & DATE C.B.CHIN 03/03/31	TITLE: .187 MP-LOCK HOUSING-2P(14.5mm PITCH) ( FOR CAPACITOR)		REVISION CAD ONLY		
			4 PLACES ±0.	±-	CHECKED BY & DATE W.Y.YANG 03/03/31		MOLEX INCORPORATED		A	
			3 PLACES ±0.	±-	APPROVED BY & DATE C.W.LEE 03/03/31		MATERIAL NO. SEE NOTES		DRAWING NO. SD-35817-002	SHEET NO. 1 OF 1
			2 PLACES ±0.30	±-	CAD FILENAME S358170270.MI		THIS DRAWING CONTAINS INFORMATION THAT IS PROPRIETARY TO MOLEX INCORPORATED AND SHOULD NOT BE USED WITHOUT WRITTEN PERMISSION.		SIZE B	
			1 PLACE ±0.30	±-	ANGULAR: ± °		KOREA		MX-A3	
DRAFT WHERE APPLICABLE MUST REMAIN WITHIN DIMENSIONS										