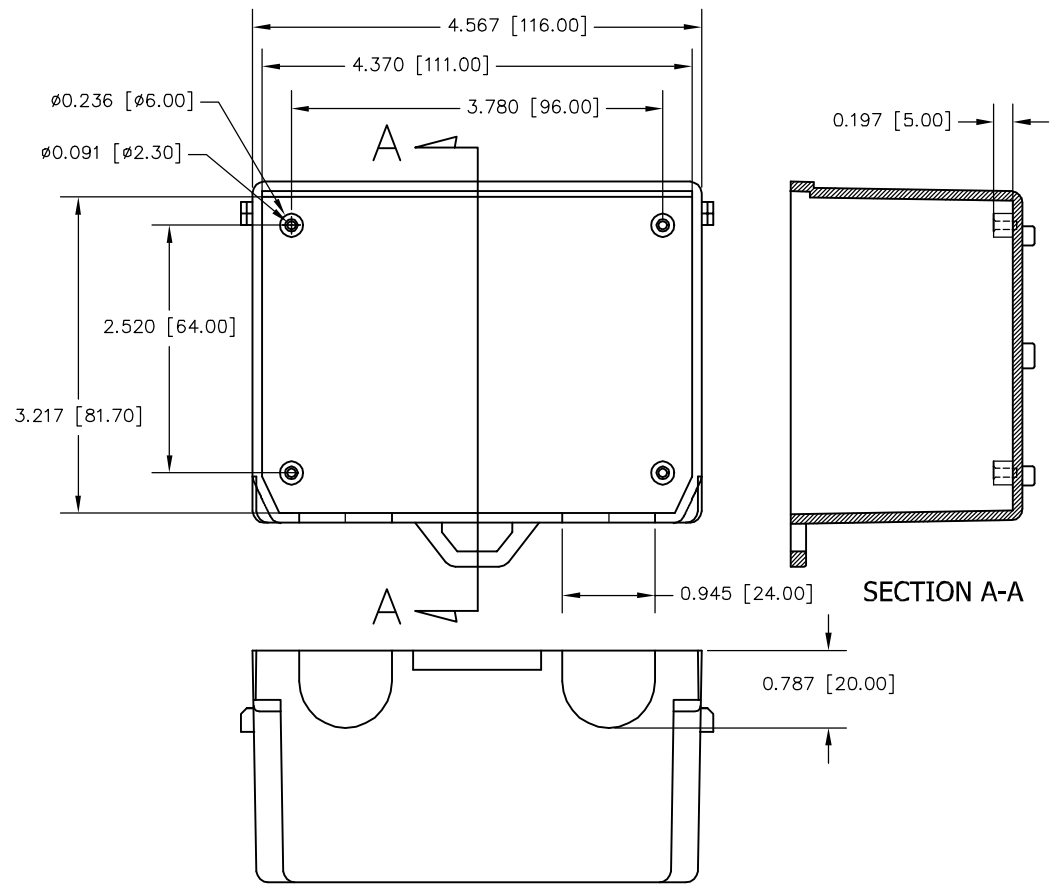
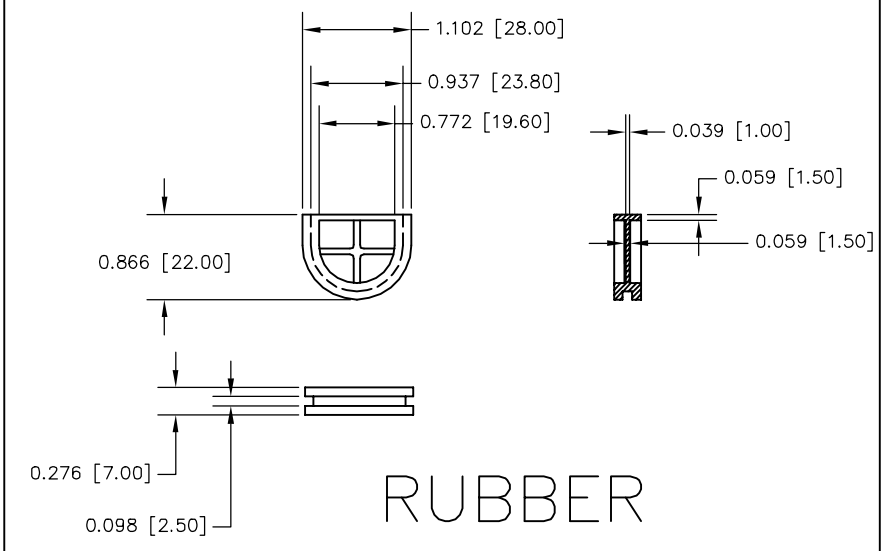


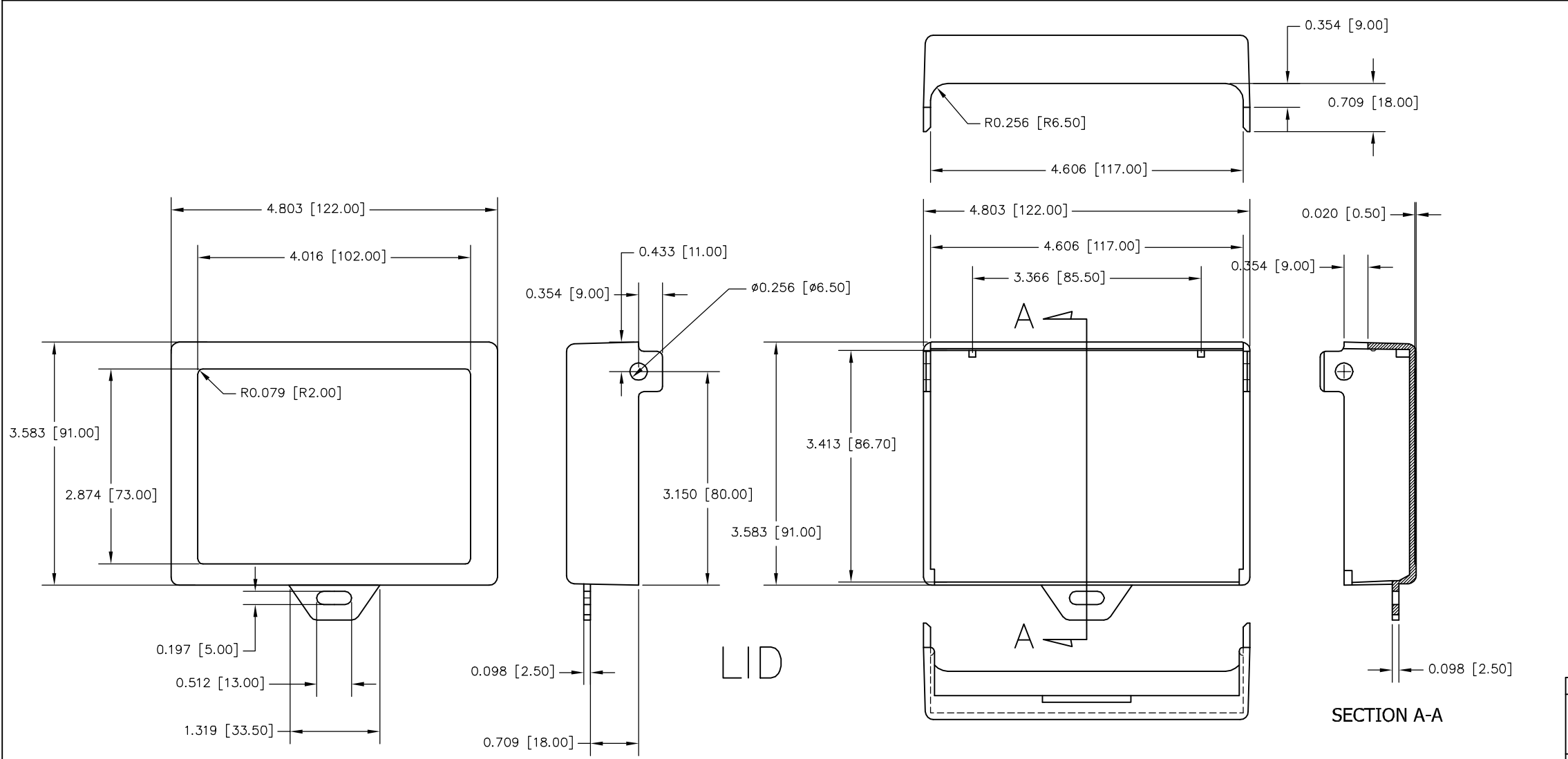
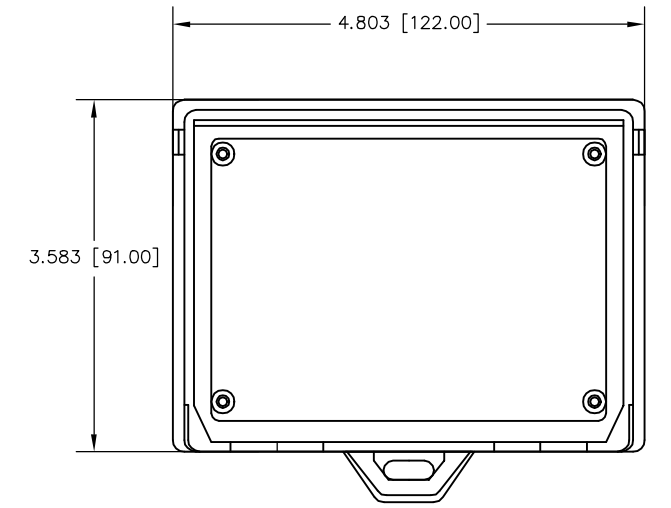
BASE



SECTION A-A



RUBBER



LID

SECTION A-A

- \* MATERIAL : HIGH IMPACT OF UL94-HB ABS
- \* ORDER BY PART NUMBER BELOW, LIGHT GREY OR BLACK COLOR:  
 PTH - 11811 - G: GREY  
 PTH - 11811 - B: BLACK
- \* FINISH:  
 BASE: SMOOTH  
 LID: TEXTURED WITH SMOOTH RECESSED AREA.
- \* SNAP-IN DESIGN CAN BE OPENED AND CLOSED EASILY WITHOUT A TOOL
- \* CABLE ENTRY RUBBER CAN BE CUT EASILY WITH A KNIFE FOR CABLE CONNECTION
- \* 4 INTERNAL BOSSES ARE AVAILABLE FOR PCB ASSEMBLY. USE M2.5 OR #4 STD SHEET METAL SCREWS.
- \* IDEALLY USED FOR INDOOR/OUTDOOR TELECOMMUNICATION DEVICE.
- \* ALL DIMENSIONAL TOLERANCES ARE .015

TOLERANCES:		ITEM REQ'D	PART NO.	DESCRIPTION
±.005 BETWEEN HOLE CENTERS	±.015 FROM SHEARED EDGE	MAT: AS NOTED	SCALE:	NAME:
±.032 FROM A BENT SURFACE	±.063 BETWEEN ASSEMBLED SURFACES	DR. RD 10-13-08	BUD	HINGED PLASTIC BOX
UNLESS OTHERWISE SPECIFIED		CH.	BUD INDUSTRIES, INC	3.58 X 3.11 X 1.77
QTY.	USED ON	APP.	WILLOUGHBY, OHIO	DWG. NO. PTH-11811