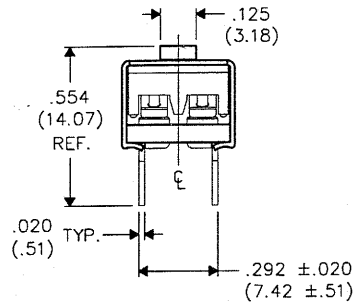
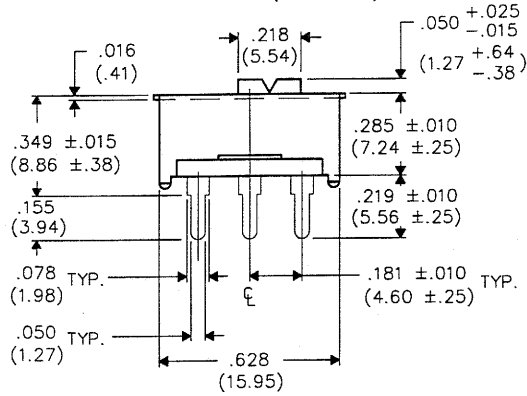
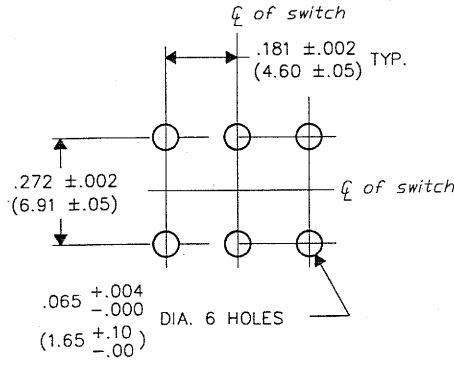
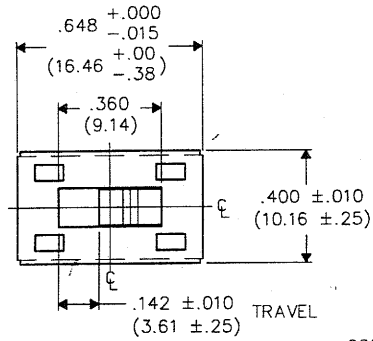


DIMENSIONS IN INCHES (MILLIMETERS)
DO NOT SCALE DRAWING

Dwg. No.

GF-126-0289

P.C. LAYOUT



E
D
C
B
A

1 2 3 4 5 6 7 8 9 10

FORM-B4
REVISIONS
0
RELEASED: DGW 10-30-2000
NOV 01 2000

CW INDUSTRIES
Southampton, Pa. 18966

TOLERANCES UNLESS OTHERWISE SPECIFIED
2 Place Decimal ±.010 METRIC
3 Place Decimal ±.005 1 Place Dec. ±.25mm
Angles ±1' 2 Place Dec. ±.13mm

Title: SWIDGET ASSY.
W/"V" SLOT
BUTTON
D.P.-D.T.

Mode for: CW IND.

Division: SWITCH

Drawn by: DGW 10-30-2000

Dwg. No.

Checked by: G. Guld 10-31-00

GF-126-0289

Approval: *[Signature]* 11-1-00

PDF File Made