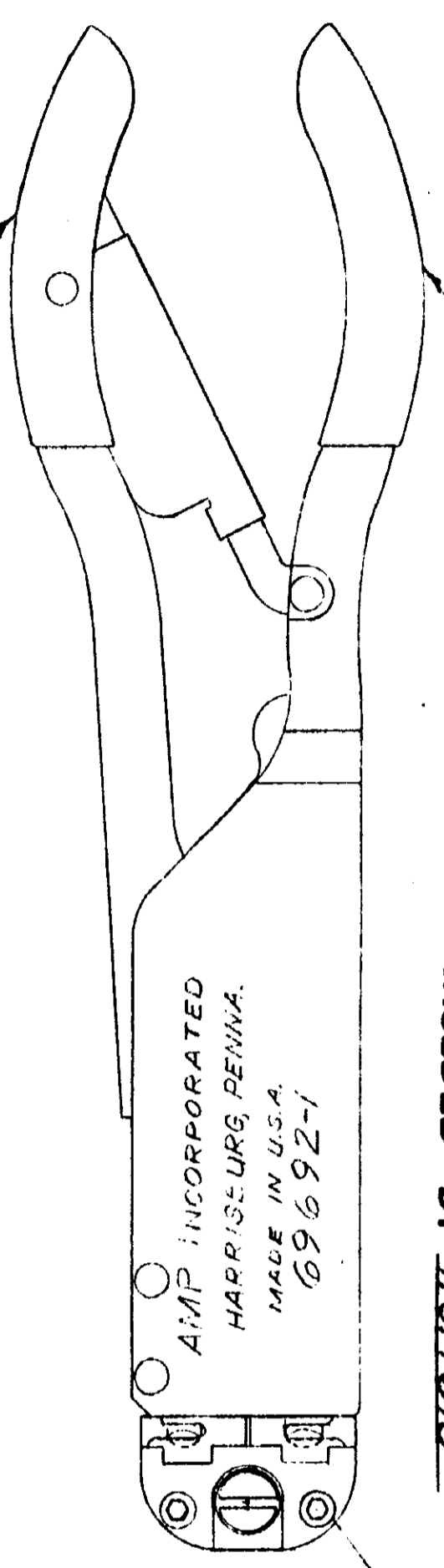
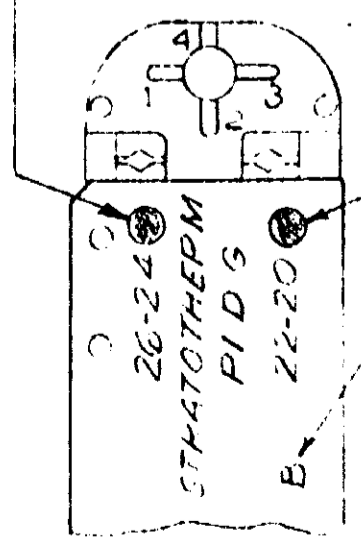


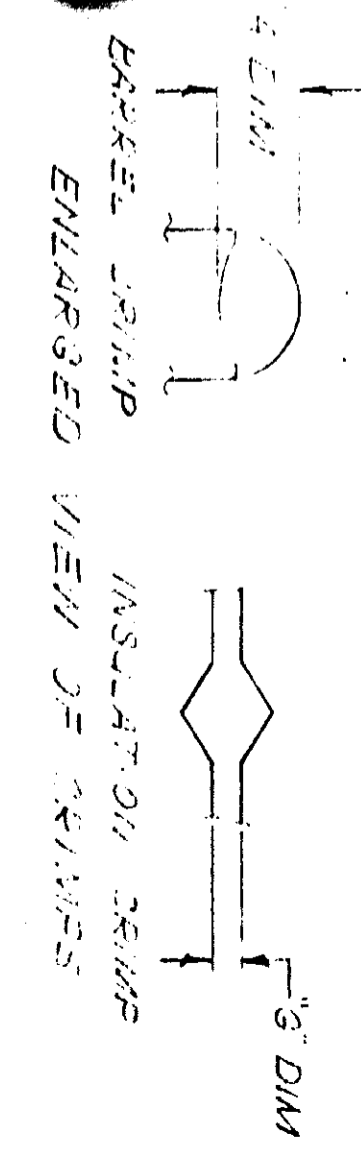
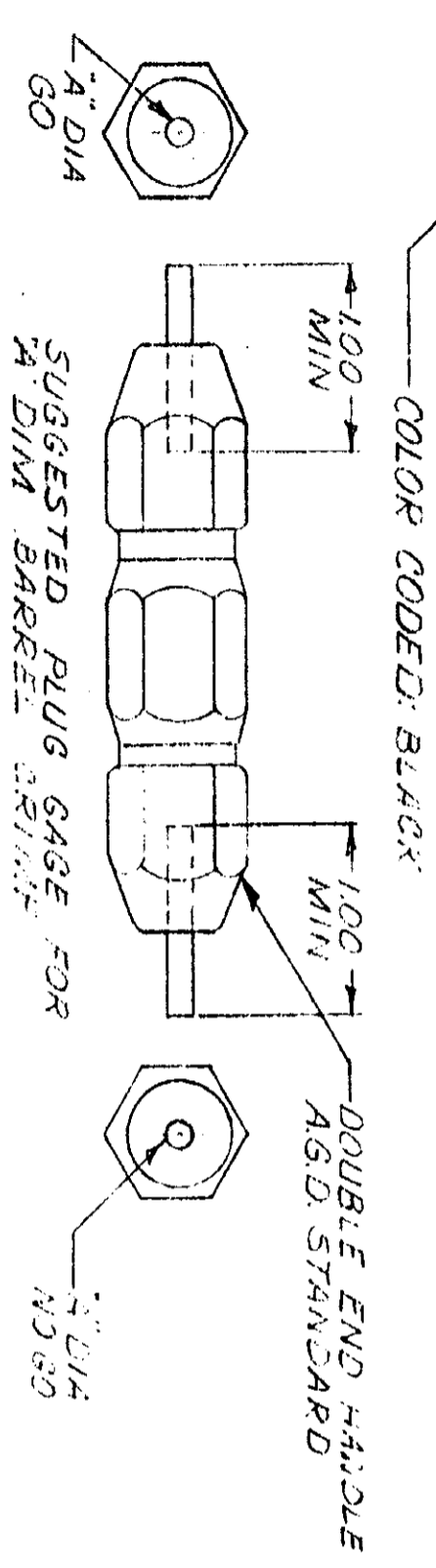
COLOR CODED: GREEN SUPERSEDED BY 1.S.1610



COLOR CODED: GREEN  
TOP IDENTIFICATION



WIRE SIZE	4.211A BARREL CRIMP	4.211A INSUL. CRIMP	4.211A GAGE
26-24	.094	.025	.075
22-20	.104	.035	.085



19X.19 (A50 REF)  
6" DIM NO GO  
SUGGESTED PLUG GAGE FOR 6" DIM INSULATION CRIMP

PLUG GAGE DIMENSIONS APPLY WHEN TOOL IS BOTTOMED BUT NOT UNDER PRESSURE.

REV	DATE	BY	CHK	DESCRIPTION
1	1-26-69	ELF	ELF	REVISED
2		DR	DR	REVISION RECORD

NO	DESCRIPTION	REQUIRED PER ASSEMBLY
1	59755-1 SUPPORT LOCATOR	1
2	1-21002-3 SCREW	1

DR: *Elmerfeld* 5-21-69  
CHK: *Elmerfeld* 6-2-69  
REL: *Elmerfeld* 6-2-69

WIRE RANGE - INSULATION TOLERANCE EXCEPT AS NOTED = 1%  
SCALE 1/2" = 1"

TYPE: P1D5 THERM STRAIGHT

CLASS: M B

NO: 69692-1

NAME: T" HEAD ASSEMBLY



CUSTOMER COPY REFERENCE ONLY

DIMENSIONS IN INCHES. DO NOT SCALE PRINT

REVISED BY 8

7

6

5

4

3

2

1

S