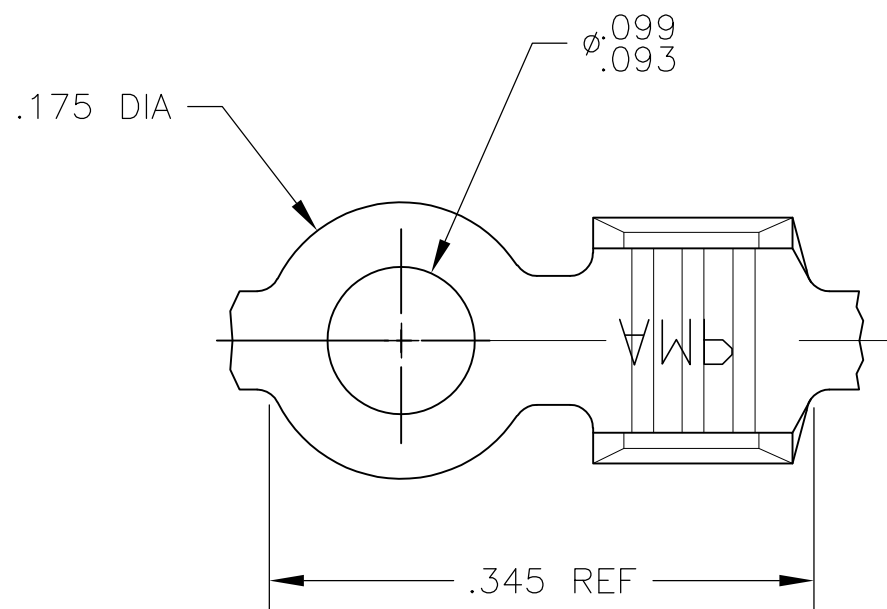


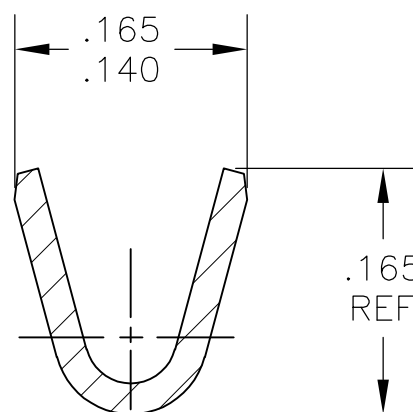
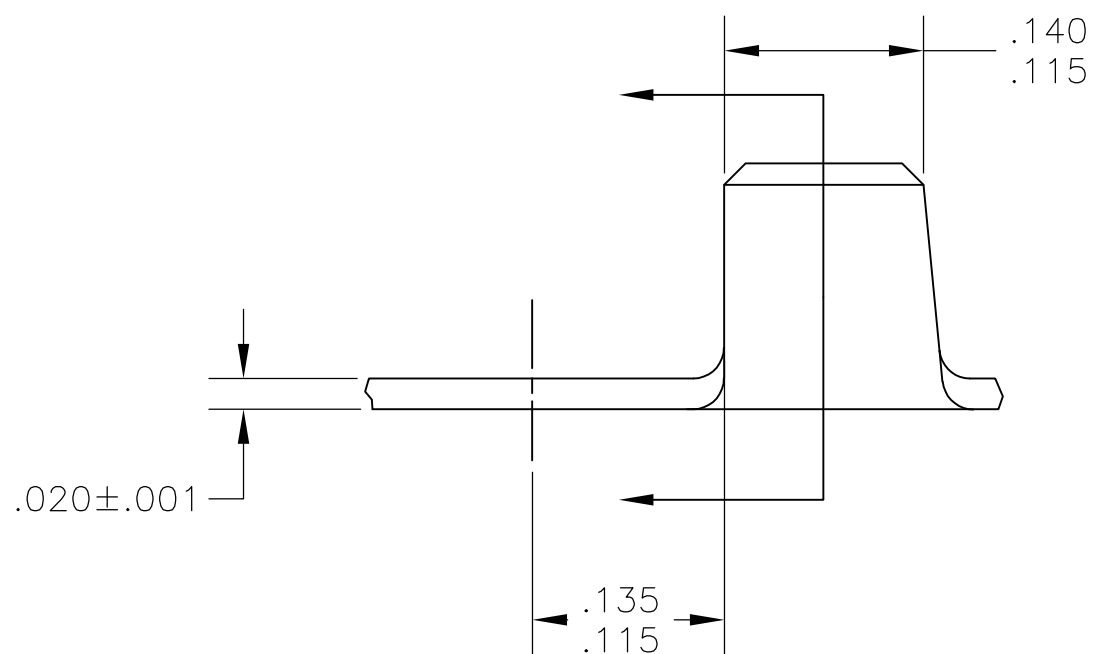
THIS DRAWING IS UNPUBLISHED. RELEASED FOR PUBLICATION

© COPYRIGHT BY TYCO ELECTRONICS CORPORATION. ALL RIGHTS RESERVED.

LOC	DIST	REVISIONS			
P	LTR	DESCRIPTION	DATE	DWN	APVD
G	50	L1	REDRAWN PER ECR 08-027116	27OCT08	JR DD



- 1 CONTINUOUS STRIP ON REELS
- 2 WIRE SIZE IS #18-#14 AWG



41006
PART NO

THIS DRAWING IS A CONTROLLED DOCUMENT.		DWN jr_ruth 27OCT08	Tyco Electronics Corporation Harrisburg, PA 17105-3608		
DIMENSIONS: INCHES	TOLERANCES UNLESS OTHERWISE SPECIFIED:	CHK D DECKER 27OCT08	NAME RING		
	0 PLC ± -	APVD D DECKER 27OCT08	PRODUCT SPEC -		
	1 PLC ± -	PRODUCT SPEC	APPLICATION SPEC -		
	2 PLC ± -	SIZE	CAGE CODE	DRAWING NO	RESTRICTED TO
	3 PLC ± .010	—	A3	00779	C-41006
MATERIAL 082 BRASS	FINISH NONE	APVD	SCALE 8:1		
		WEIGHT -	SHEET 1 OF 1		REV L1
		CUSTOMER DRAWING			