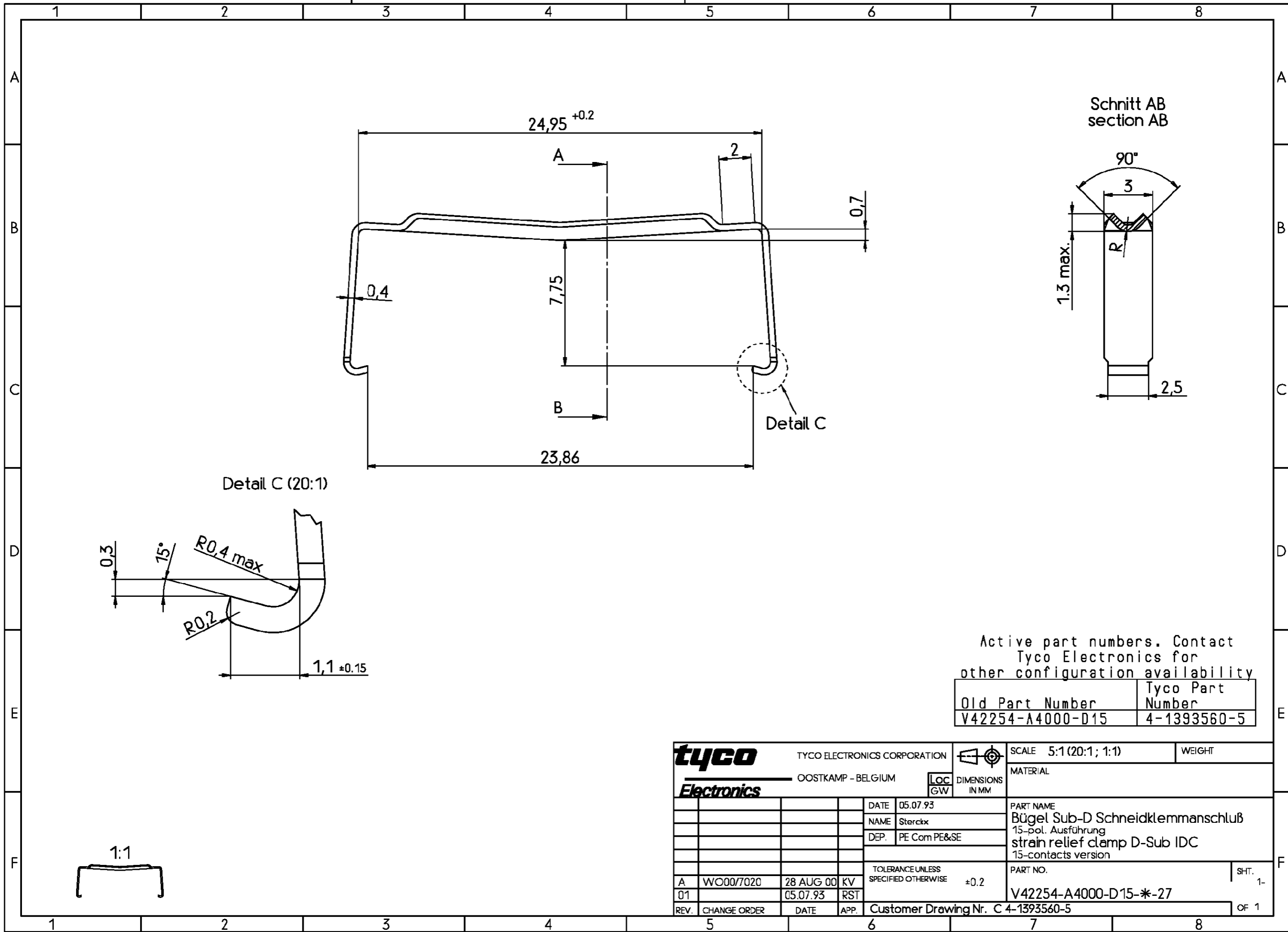


THIS INFORMATION IS CONFIDENTIAL AND PROPRIETARY TO TYCO ELECTRONICS CORPORATION AND ITS WORLDWIDE
 SUBSIDIARIES AND AFFILIATES. IT MAY NOT BE DISCLOSED TO ANYONE, OTHER THAN TYCO ELECTRONICS PERSONNEL,
 WITHOUT WRITTEN AUTHORIZATION FROM TYCO ELECTRONICS CORPORATION, HARRISBURG PENNSYLVANIA USA

PROPRIETARY:



Active part numbers. Contact
 Tyco Electronics for
 other configuration availability

Old Part Number	Tyco Part Number
V42254-A4000-D15	4-1393560-5

tyco TYCO ELECTRONICS CORPORATION		SCALE 5:1 (20:1; 1:1)		WEIGHT	
OOSTKAMP - BELGIUM		DIMENSIONS IN MM		MATERIAL	
LOC GW		DATE 05.07.93		PART NAME	
NAME Sterckx		DEP. PE Com PE&SE		Bügel Sub-D Schneidklemmanschluß	
REV. CHANGE ORDER		DATE 28 AUG 00		15-pol. Ausführung	
APP. RST		TOLERANCE UNLESS SPECIFIED OTHERWISE ±0.2		strain relief clamp D-Sub IDC	
Customer Drawing Nr. C 4-1393560-5		PART NO.		15-contacts version	
		SHT. 1-		V42254-A4000-D15-*27	
		OF 1			