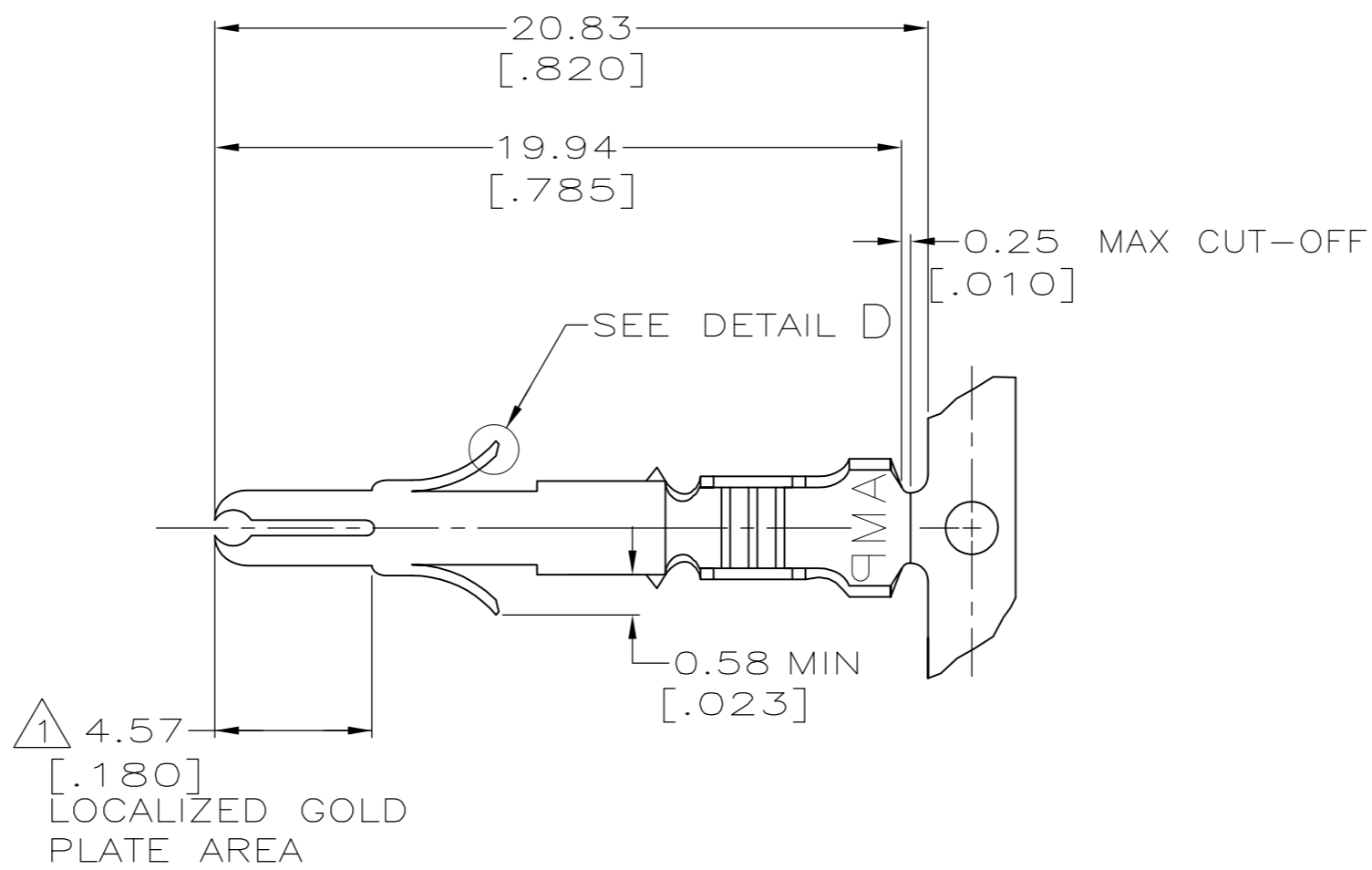
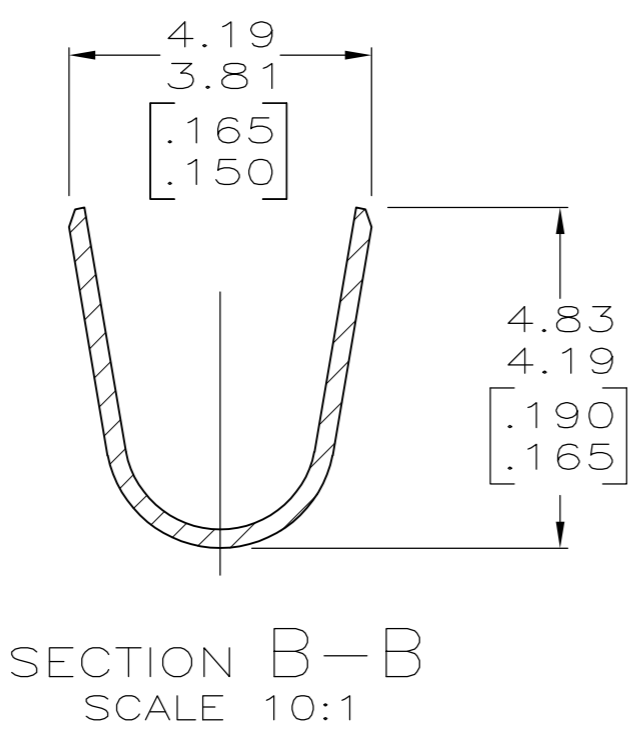
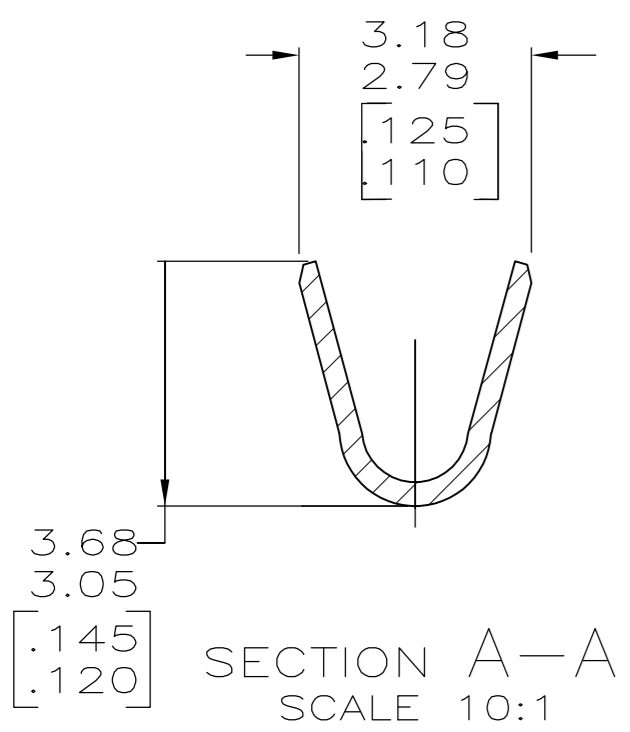
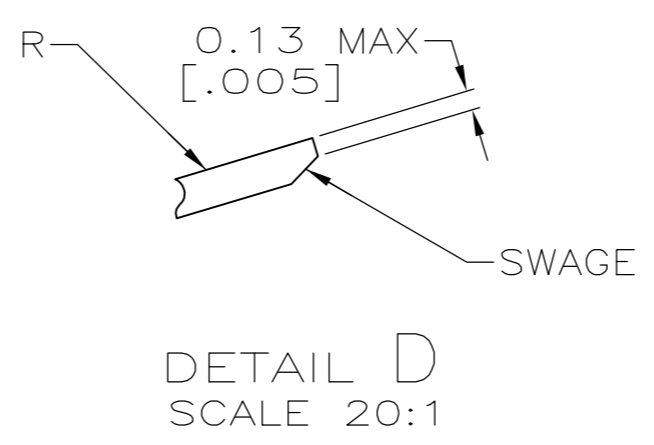
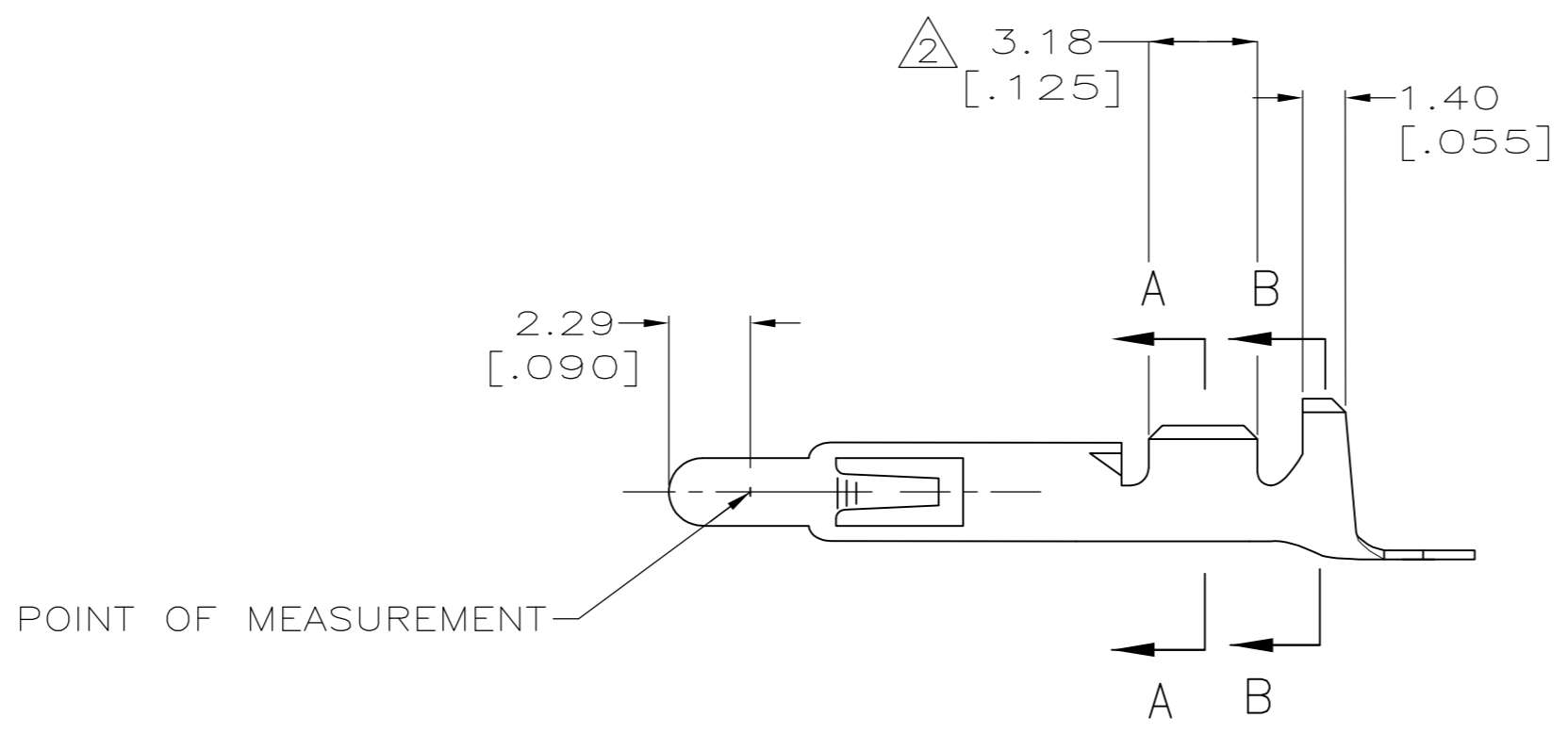
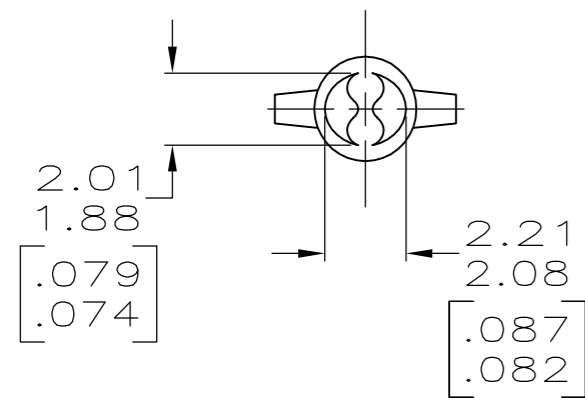


THIS DRAWING IS UNPUBLISHED. RELEASED FOR PUBLICATION  
 © COPYRIGHT - By - ALL RIGHTS RESERVED.

LOC	DIST	REVISIONS					
CM	53	P	LTR	DESCRIPTION	DATE	DWN	APVD
		Z		REVISED PER ECR-12-013323	09AUG12	KH	TM



- 1 PLATED WITH 0.00076 [.000030] GOLD, OVER 0.00127 [.000050] NICKEL UNDERPLATE.
- 2 PLATED INTERNALLY WITH 0.00076 [.000030] GOLD.
- 3 DIMENSIONS IN BRACKETS ARE IN INCHES.
- 4 PRELIMINARY, NOT FOR PRODUCTION.
- 5 INSULATION RANGE: 1.52-3.30 [.060-.130] DIA.



4		MATERIAL	FINISH	PART NUMBER
	-	0.31 [.012] BE CU	PRE-TIN	350687-9
	350705-7	0.31 [.012] BRASS	GOLD 1	350687-7
	-	0.31 [.012] PH BRZ	GOLD 1	350687-5
	350705-2	0.31 [.012] BRASS	GOLD 1 2	350687-2
	350705-1	0.31 [.012] BRASS	PRE-TIN	350687-1

THIS DRAWING IS A CONTROLLED DOCUMENT.

DIMENSIONS: mm [INCHES]	TOLERANCES UNLESS OTHERWISE SPECIFIED: 0 PLC ± - 1 PLC ± - 2 PLC ± 0.13 [.005] 3 PLC ± - 4 PLC ± - ANGLES ± 0°30'	DWN K. WHITAKER 12-MAY-2000	CHK K. COBLE 12-MAY-2000	APVD K. COBLE 12-MAY-2000	NAME PIN, UNIVERSAL MATE-N-LOK™
MATERIAL -		FINISH -		WEIGHT -	SIZE A2
WIRE RANGE 20-14 AWG		CUSTOMER DRAWING		SCALE 5:1	SHEET 1 of 1

TE Connectivity

00779 C=350687

RESTRICTED TO