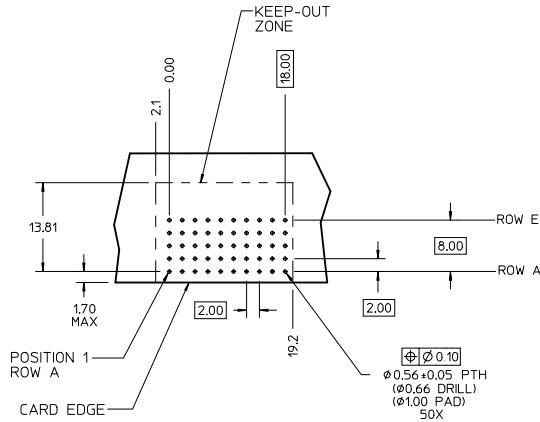
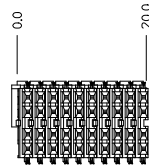
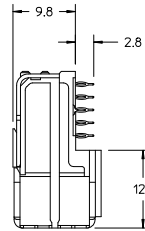
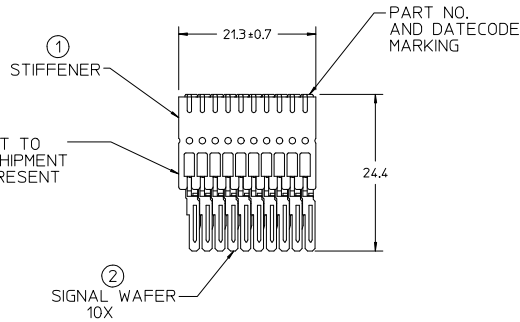


# CUSTOMER: DITECH COMMUNICATIONS

THIS END WAFER IS SUBJECT TO BROKEN 'FINGERS' DURING SHIPMENT BECAUSE NO END CAP IS PRESENT



DAUGHTERCARD HOLE PATTERN  
(CONNECTOR SIDE)

## NOTES:

- MATERIALS: HOUSING - LIQUID CRYSTAL POLYMER (LCP), GLASS-FILLED, UL 94V-0.  
TERMINALS - HIGH PERFORMANCE ALLOY.  
STIFFENER - STAINLESS STEEL.
- FINISH: SELECTIVE GOLD (Au) IN CONTACT AREA, 0.76 micrometers MINIMUM THICKNESS, SELECTIVE MATTE TIN (Sn) ON PCB TAILS, NICKEL (Ni) UNDERPLATE OVERALL.
- REFER TO MOLEX PRODUCT SPECIFICATION PS-74031-999 FOR PERFORMANCE SPECIFICATIONS.
- PACKAGED IN TUBES PER PK-70873-5043.
- REFER TO MOLEX DOCUMENT SD-74671-002 FOR ADDITIONAL DETAIL ON THE HSD SIGNAL WAFER.
- THIS PART CONFORMS TO CLASS B REQUIREMENTS OF MOLEX COSMETIC SPECIFICATION PS-45499-002.

| ITEM | PART NUMBER | DESCRIPTION    | QTY |
|------|-------------|----------------|-----|
| 1    | 74676-0021  | STIFFENER      | 1   |
| 2    | 74671-1001  | HSD5 WAFER, LF | 10  |

LEAD-FREE  
PLATING

|  |  |   |  |   |               |                        |  |
|--|--|---|--|---|---------------|------------------------|--|
| <b>CHG TO LEAD-FREE</b><br>EC NO: UCP2012-2210<br>DRAWN BY: CHYKSDANALLEY 2012/01/17<br>APPR: SMILLER 2012/02/28<br>REV: | QUALITY SYMBOLS                                      | GENERAL TOLERANCES (UNLESS SPECIFIED)   | DIMENSION STYLE                          | SCALE   | DESIGN UNITS  | THIRD ANGLE PROJECTION |  |
|  | ∇=0<br>∇=0<br>∇=0                                    | 4 PLACES ± --- ± ---<br>3 PLACES ± --- ± ---<br>2 PLACES ± 0.25 ± ---<br>1 PLACE ± 0.38 ± ---<br>ANGULAR ± 1/2°               | MM ONLY<br>INCH                          | DRAWN BY: GB<br>DATE: 2012/01/27<br>CHECKED BY: DATE: | 2:1<br>METRIC | MOLEX INCORPORATED     | TITLE: VHDM-HSD 5 ROW, LF DAUGHTERCARD SALES DRAWING |
|  | DRAFT WHERE APPLICABLE MUST REMAIN WITHIN DIMENSIONS | MATERIAL NO: 74670-0303<br>DOCUMENT NO: SD-74670-303  | APPROVED BY: SMILLER<br>DATE: 2012/02/28 | MOLEX INCORPORATED                                    |               |                        |  |
|  | SIZE: D  | THIS DRAWING CONTAINS INFORMATION THAT IS PROPRIETARY TO MOLEX INCORPORATED AND SHOULD NOT BE USED WITHOUT WRITTEN PERMISSION |  |   |               |                        |  |