

4

3

2

1

D

D

C

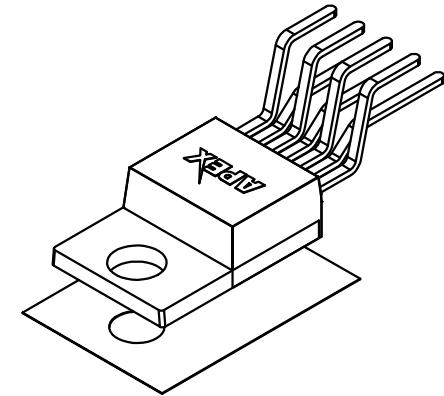
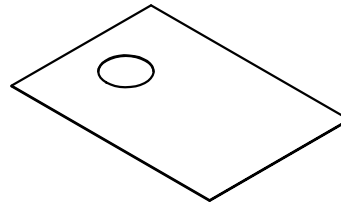
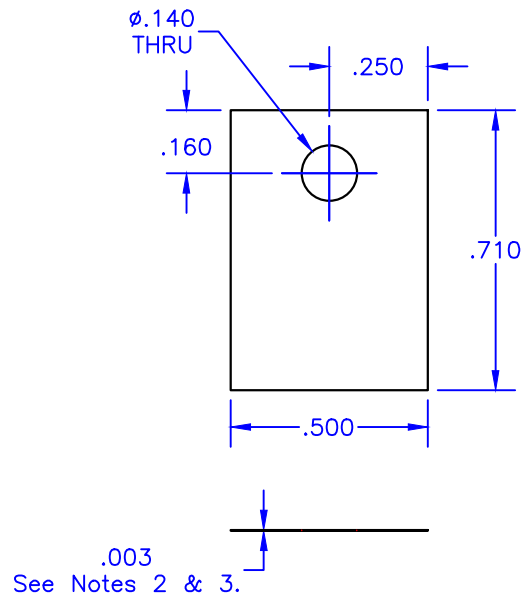
C

B

B

A

A

**NOTES:**

1. Unless otherwise noted, all dimensions are in inches.
2. Film Material: .002 thick Kapton[®] MT
Dielectric strength - 5200 VAC/mil
3. Interface Material: .0005 thick phase-change thermal compound, both sides.
Maximum shipping & storage temperature - 40°C
Reflow temperature - 60°C
Maximum recommended service temperature - 200°C
4. Thermal impedance: .201 °C/W-in² (1.30 °C/W-cm²) @ 20psi
5. Used with TO-220 packages (Apex designators: CD & CX).

TOLERANCES - UNLESS OTHERWISE SPECIFIED
.XX = ±.01 [.254]
.XXX = ±.005 [.127]
ANG. = ±5°



TITLE: THERMAL WASHER, TO-220		MODEL:	
SUBJECT: MECHANICAL DRAWING		TW14	
ENGINEER: K.GOPP	DRAWN BY: J.FAY	DCA: 16270	SH. OF: 1 1

FILENAME: TW14	REV: J	DATE: 11JUL16
----------------	--------	---------------

4

3

2

1