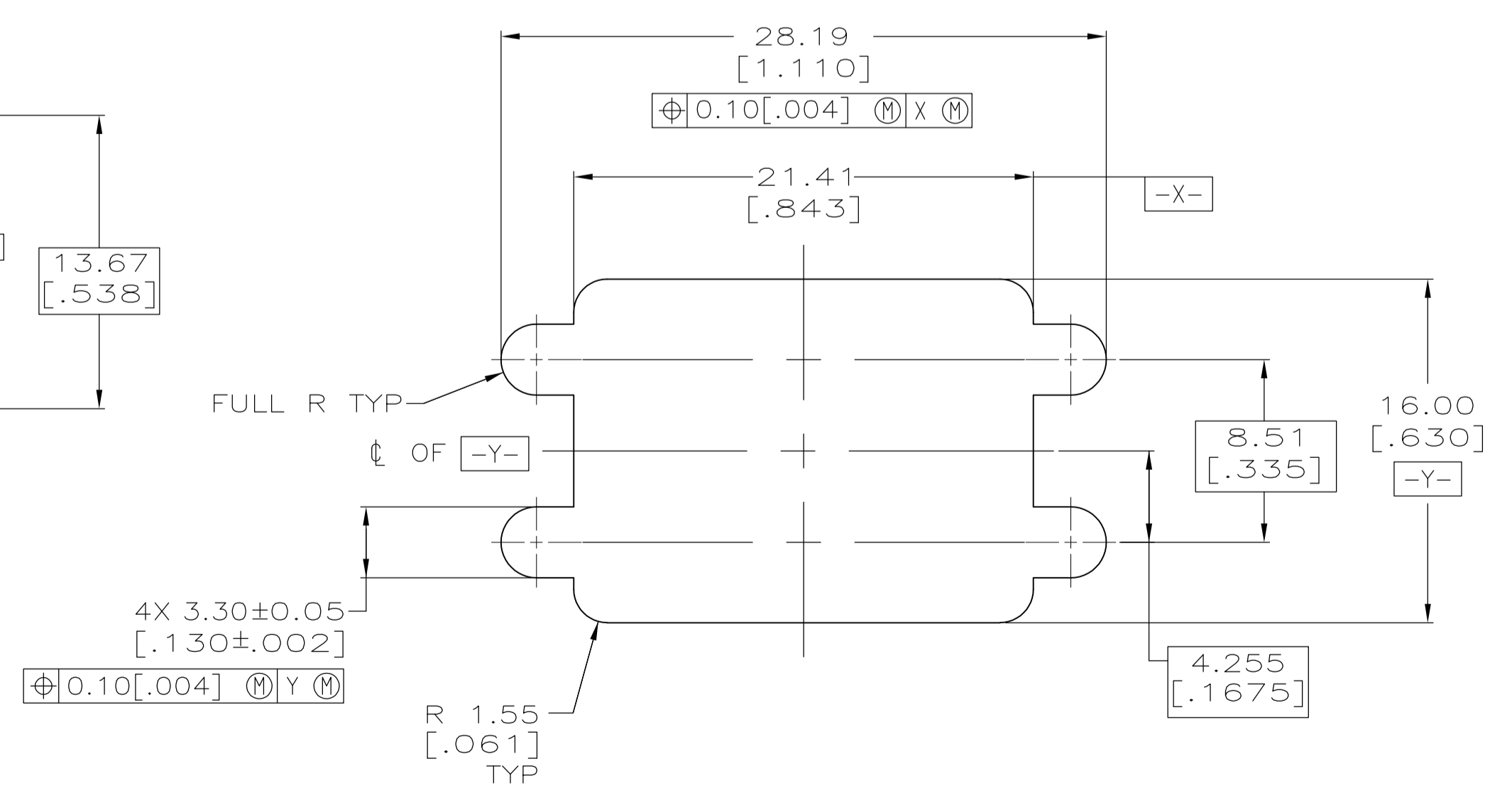
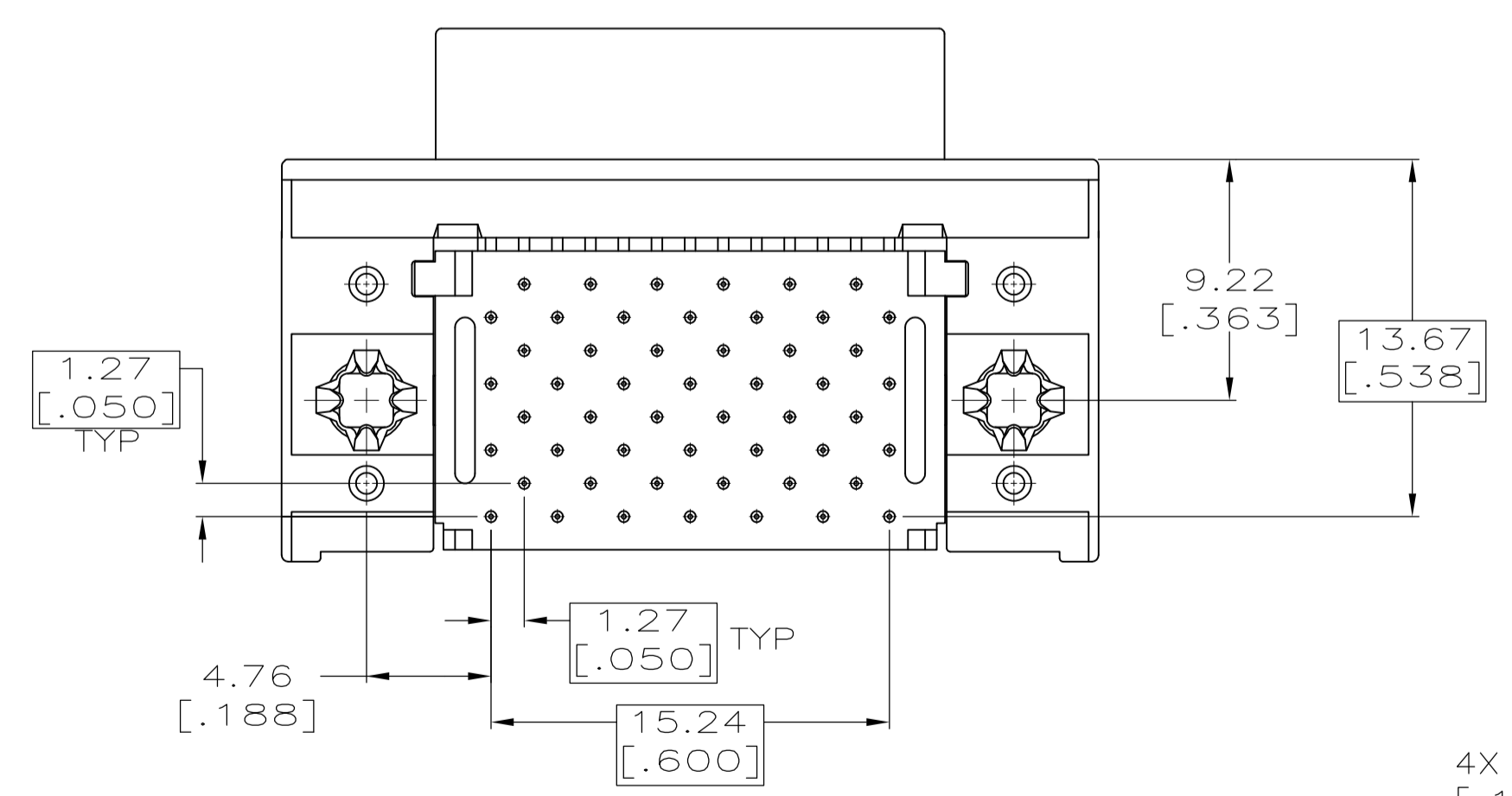


P.C. BOARD MOUNTING DIMENSIONS
 CONNECTOR SIDE
 P.C. BOARD THICKNESS 1.57±0.20 [.062±.008]



RECOMMENDED PANEL CUTOUT

- 1 POSITION TOLERANCE APPLIES AT TIP ONLY.
- 2 MATERIAL
 RECEPTACLE HOUSING: UL 94V-0 RATED LCP, COLOR BLACK
 CONTACTS: PHOSPHOR BRONZE
 BRACKET: ZINC
 METAL SHELL: CARBON STEEL,
 BOARDLOCKS: COPPER ALLOY.
- 3 FINISH
 CONTACTS: GOLD FLASH OVER PALLADIUM-NICKEL PLATE,
 0.00076 [.000030] MIN TOTAL ON MATING SURFACES,
 0.0038 [.000150] MIN TIN-LEAD PLATE ON SOLDER-TAILS,
 0.00127 [.000050] MIN NICKEL UNDERPLATE ON ENTIRE CONTACT. -OR- 0.00076 [.000030] MIN GOLD PLATE ON MATING SURFACES, 0.0038 [.000150] MIN TIN-LEAD PLATE ON SOLDER-TAILS, 0.00127 [.000050] MIN NICKEL UNDERPLATE ON ENTIRE CONTACT.
 BRACKET: 0.00508-0.01016 [.000200-.000400] TIN-LEAD OVER 0.00508-0.00762 [.000200-.000300] COPPER.
 METAL SHELL: 0.00508-0.01016 [.000200-.000400] TIN OVER 0.00127-0.00254 [.000050-.000100] COPPER.
 BOARDLOCKS: 0.00508-0.01016 [.000200-.000400] TIN-LEAD OVER 0.00127-0.00254 [.000050-.000100] NICKEL.

786200-1
 PART NUMBER

THIS DRAWING IS A CONTROLLED DOCUMENT.		DIN H MOLL 3-6-92	Tyco Electronics Corporation Harrisburg, PA 17105-3608
DIMENSIONS: mm [INCHES]		CIK R STONE 3-10-92	
TOLERANCES UNLESS OTHERWISE SPECIFIED:		APVD R WBYNE 3-10-92	NAME RECEPTACLE ASSEMBLY, 52 POSN STACKED RIGHT ANGLE, AMPLIMITE .050 SERIES SLIMLINE
0 PLC ± -		PRODUCT SPEC 108-1366	
1 PLC ± -		APPLICATION SPEC 114-40036	SIZE CAGE CODE DRAWING NO RESTRICTED TO A1 00779 C=786200
2 PLC ± 0.13 [.005]		WEIGHT -	
3 PLC ± -		CUSTOMER DRAWING	SCALE 4:1 SHEET 1 OF 1 REV C
4 PLC ± -			
ANGLES ± °			
MATERIAL			
FINISH			