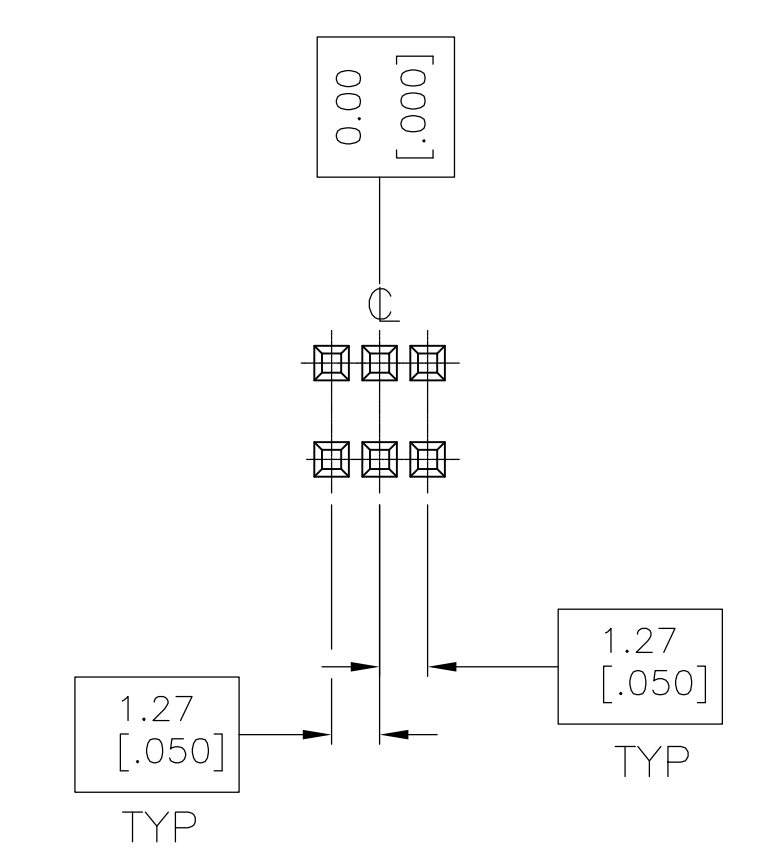
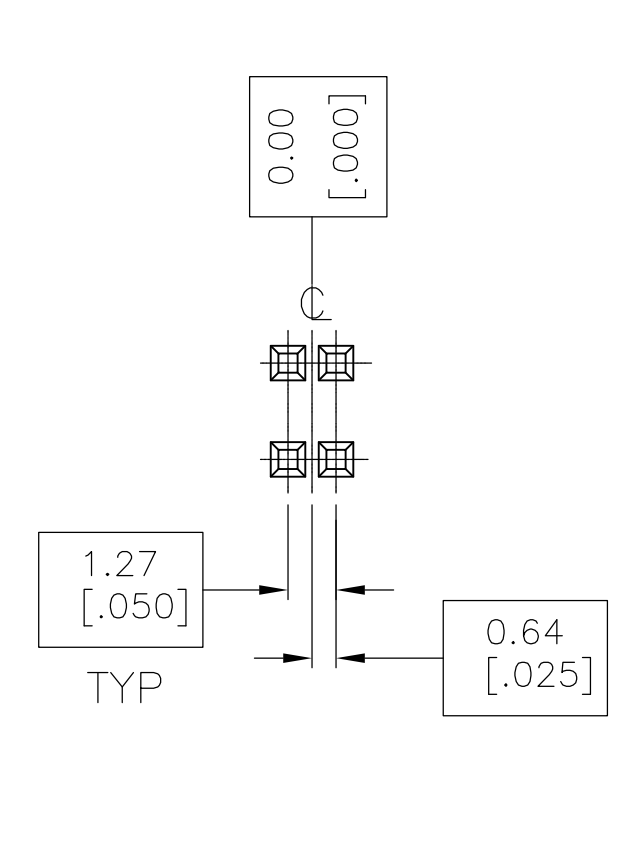


RECOMMENDED HOLE PATTERN



BASIC DIMENSIONS FOR EVEN NO OF SPACES (SEE TABLE)



BASIC DIMENSIONS FOR ODD NO OF SPACES (SEE TABLE)

DETAIL R
SCALE 5:1

- 1 CONTACT AREA PLATED WITH .00076 [.000030] GOLD, SOLDER TAILS PLATED WITH .00381 [.000150] TIN-LEAD, ALL OVER .00127 [.000050] NICKEL.
- 2 POINT OF MEASUREMENT FOR GOLD PLATING THICKNESS IS 0.76 [.030] FROM MATING END OF CONTACT.
- 3 HOUSING MATERIAL: THERMOPLASTIC, COLOR-BLACK. CONTACT MATERIAL: COPPER ALLOY
- 4 WINDOWS ON SIDE OF HOUSING AND RIBS ON BOTTOM OF HOUSING ARE MOLDERS OPTION.
- 5 THE NOTED DIMENSIONS APPLY AT THE INTERSECTION OF THE POST AND HOUSING.
- 6 AMP LOGO PRESENCE AND LOCATION OPTIONAL.
- 7 CONTACT AREA PLATED WITH .00076 [.000030] GOLD, SOLDER TAILS PLATED WITH .00381 [.000150] TIN, ALL OVER .00127 [.000050] NICKEL.
- 8 OBSOLETE PARTS: OBSOLETE CIS STREAMLINING PER D.RENAUD/D.SINISI

8	OBSOLETE	24	32.87 [1.294]	50	7 5=104744-7	
		19	26.52 [1.044]	40	7 5=104744-6	
		49	64.62 [2.544]	100	7 5=104744-5	
8	OBSOLETE	39	51.92 [2.044]	80	7 5=104744-4	
		4	7.47 [.294]	10	7 5=104744-3	
		14	20.17 [.794]	30	7 5=104744-2	
8	OBSOLETE	9	13.82 [.544]	20	7 5=104744-1	
		24	32.87 [1.294]	50	1 104744-7	
		19	26.52 [1.044]	40	1 104744-6	
8	SUPERSEDED	49	64.62 [2.544]	100	1 104744-5	
		39	51.92 [2.044]	80	1 104744-4	
8	OBSOLETE	4	7.47 [.294]	10	1 104744-3	
		SUPERSEDED	14	20.17 [.794]	30	1 104744-2
		SUPERSEDED	9	13.82 [.544]	20	1 104744-1
B	A	NO. OF POSN	PART NO.			

THIS DRAWING IS A CONTROLLED DOCUMENT.

DIMENSIONS: mm [INCHES]	TOLERANCES UNLESS OTHERWISE SPECIFIED:	0 PLC ± -	1 PLC ± -	2 PLC ± 0.13[.005]	3 PLC ± -	4 PLC ± -	ANGLES ± -
FINISH SEE TABLE		WEIGHT -		A1 00779 104744		RESTRICTED TO	

APPROVED: DAN GORENC
 NAME: RCPT ASSY, VERT. DBL ROW, AMPMODU SYSTEM 50
 SIZE: A1 00779 104744
 SCALE: 4:1 SHEET 1 OF 1 REV M1

