

Micro-Strip Extended Vertical Receptacle (Board-to-Board)

Material and Finish

Housing — High-temperature thermo-plastic, flame retardant, natural color

Tall Organizer — Polyester film tape

Receptacle Bus — Phosphor bronze; duplex plated 0.00076 [.00030] gold in mating area, 0.00254 [.00100] tin-lead in terminating area, with entire bus underplated 0.00127 [.00050] nickel

Receptacle Contact — Phosphor bronze; duplex plated 0.00076 [.00030] gold in mating area, 0.00254 [.00100] tin-lead in terminating area, with entire contact underplated 0.00127 [.00050] nickel

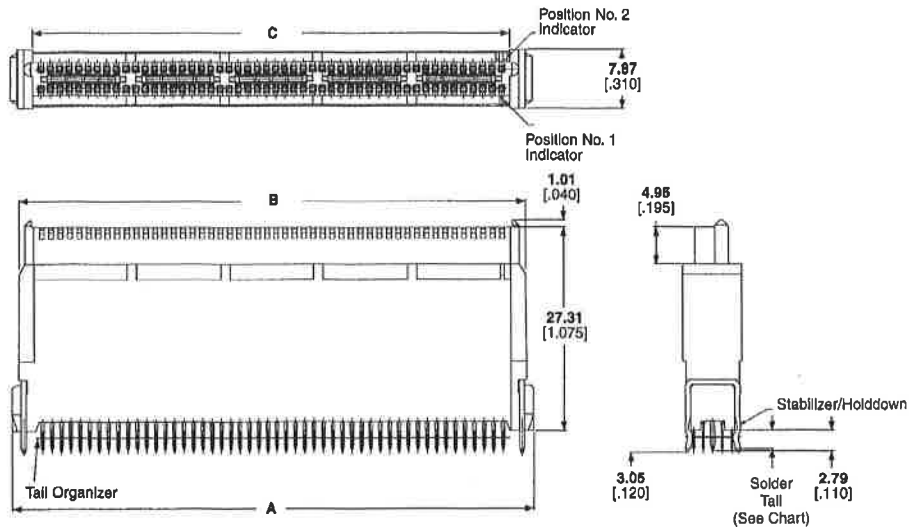
Stabilizer/Holddown — Phosphor bronze; plated 0.00254 – 0.00635 [.00100 – .00300] tin-lead over 0.00127 – 0.00254 [.00050 – .00100] nickel

Related Product Data

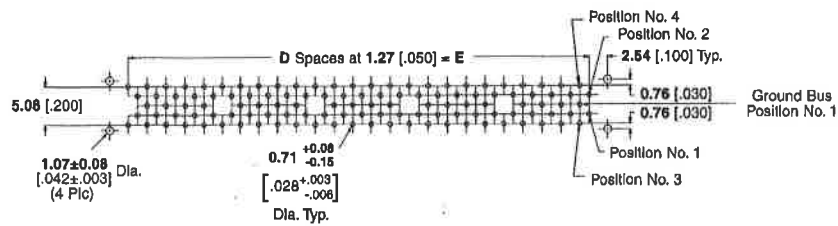
Performance Characteristics — page 67

Mating Plugs — pages 68, 70-72

Technical Documents — page 81



- Notes:** 1. This receptacle is also available in 100- and 120-position sizes with 3.18 [.125] tail lengths.
2. Stacking heights of 31.12 [1.225] and 38.94 [1.533] can be obtained by using receptacle 121496-4 (above) with the 100-position vertical plugs shown on pages 68, 70-72.



**Recommended PC Board Layout
(Connector Side of Board Shown)**

No. of Positions	Dimensions					Part Numbers	
	A	B	C	D	E	2.79 [.110] Solder Tail	3.05 [.120] Solder Tail
100	70.48 2.775	68.43 2.694	64.44 2.537	49	62.23 2.490	121496-4	149032-1
120	83.18 3.275	81.13 3.194	78.14 3.037	59	74.93 2.950	—	149032-2